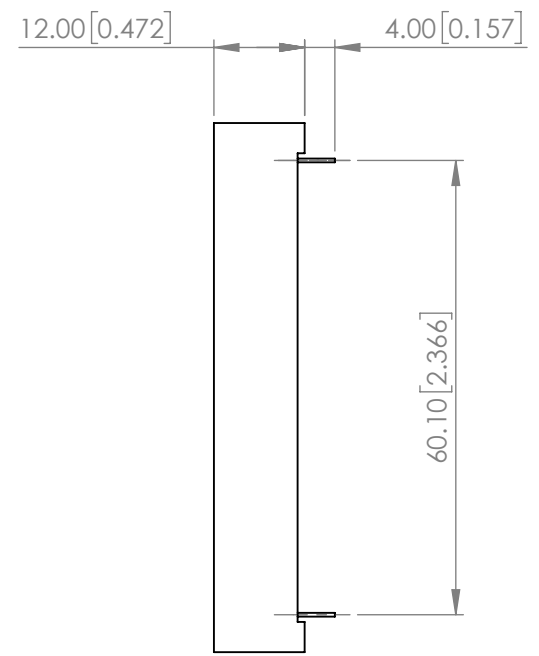
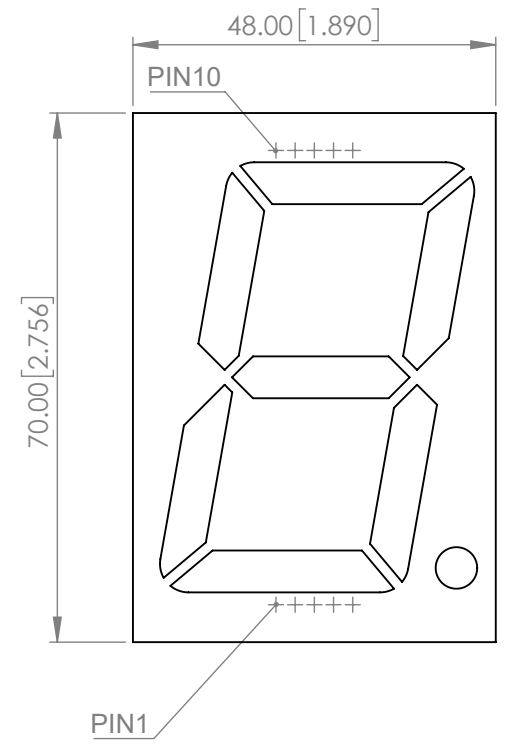
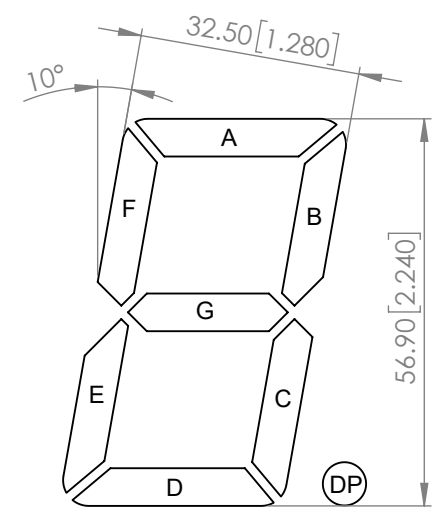


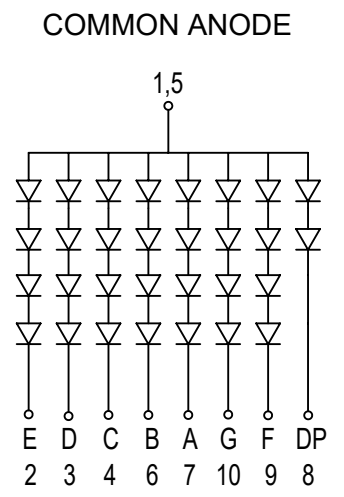
PART NUMBER		LDT-M8004RI-SI	REV	B
REV	E.C.N. NUMBER AND REVISION COMMENTS			DATE
A	E.C.N. #10BRDR. & REDRAWN.			04.03.12
B	ECN-Lumex201900096			07.08.19



DIGIT DETAIL



CIRCUIT DIAGRAM



ELECTRO-OPTICAL CHARACTERISTIC TA=25°C PER SEGMENT

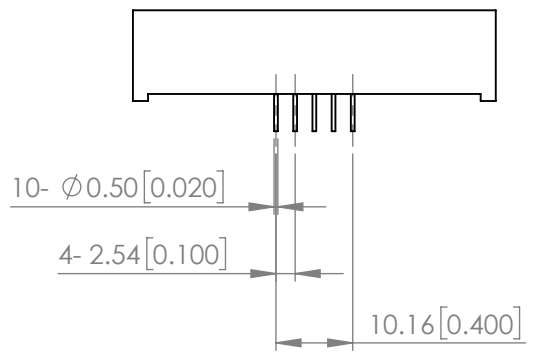
PARAMETER	MIN	TYP	MAX	UNITS	TEST COND
PEAK WAVELENGTH	-	660	-	nm	If=10mA
FORWARD VOLTAGE	-	6.8	8.8	Vf	If=10mA
REVERSE CURRENT	-	-	100	uA	VR=5V
LUMINOUS INTENSITY	-	22500	-	ucd	If=10mA
EMITTED COLOR	RED				
FONT COLOR	GRAY				
SEGMENT COLOR	MILKY WHITE DIFFUSED				

ABSOLUTE MAXIMUM RATINGS TA=25°C PER SEGMENT

PARAMETER	MAX	UNITS
PEAK FORWARD CURRENT*	150	mA
STEADY CURRENT	30	mA
POWER DISSIPATION	100	mW
REVERSE VOLTAGE	5	V
STORAGE TEMPERATURE	-40 TO +85	°C
OPERATING TEMPERATURE	-40 TO +85	°C
SOLDERING TEMPERATURE**	3 SEC MAX. @ 260	°C

* $t < 10\mu s$
 ** AT 2mm DISTANCE FROM THE CASE OF REFLECTOR EDGE.

STATIC DEVICE FOLLOW PROPER E.S.D. HANDLING PROCEDURES WHEN WORKING WITH THIS PART



*UNLESS OTHERWISE SPECIFIED TOLERANCES PER DECIMAL PRECISION ARE: X=±1 (±0.039), X.X=±0.5 (±0.020), X.XX=±0.25 (±0.010), X.XXX=±0.127 (±0.005). LEAD SIZE=±0.05 (±0.002), LEAD LENGTH=±0.75 (±0.030). MIN= ^{+DECIMAL PRECISION}/_{-0.00} MAX.= ^{+0.00}/_{-DECIMAL PRECISION}