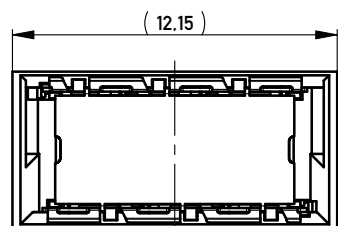
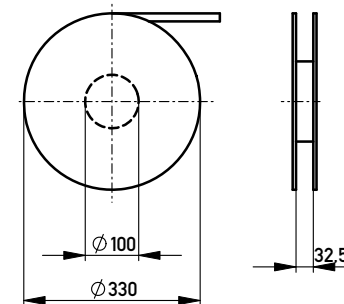
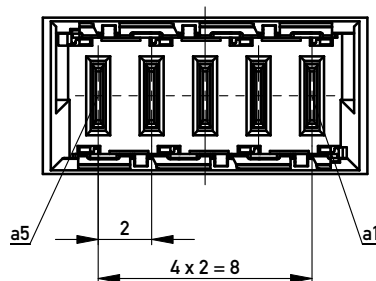


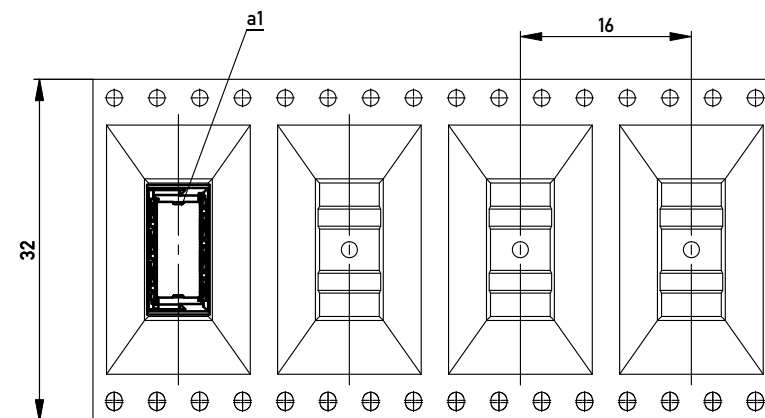
Verpackt in Gurtverpackung - *Tape on Reel Packaging*
 Verpackungseinheit: 420 Stück - *Packaging unit: 420 pcs*



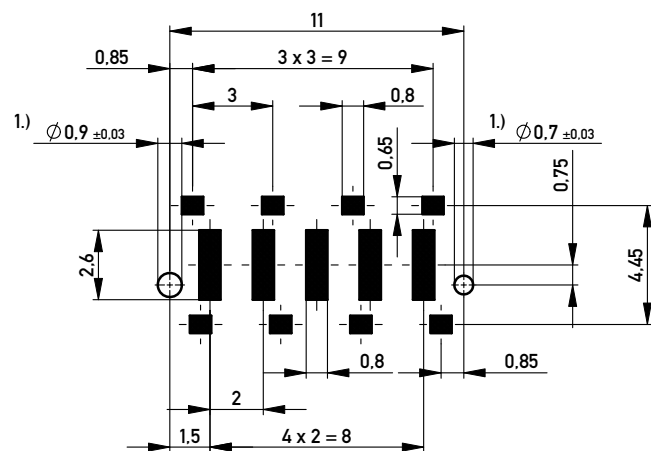
ohne Ansaughaube
without hood



Abspulrichtung - *Reel off Direction*



Leiterplatten-Layout Vorschlag / *PCB-Layout Proposal*



Anforderungsstufe 1
Performance Level 1

Kontaktbereich vergoldet
Mating Area gold plating

Anschlussbereich verzinkt 4-6 µm
Terminal Area 4-6 µm tin plating

Koplanarität der Anschlüsse ≤ 0.1 mm
Coplanarity Area of Termination ≤ 0.1 mm

1.) Durchmesser des Bohrers / *Drill tool*

Copyright by ERNI GmbH. Proprietary notice pursuant to ISO 16016 to be observed.

Information:		Tolerances	All Dimensions in mm	Scale	5:1
All rights reserved. Only for Information. To ensure that this is the latest version of this drawing, please contact one of the ERNI companies before using.		Subject to modification without prior notice. Drawing will not be updated.		Designation	
		www.ERNI.com		Messerleiste SMD, Powerm. 1mm Male Con. SMD, Powerm. 1mm	
i		30.08.2010		214357	
Index		Date		I A3	
				Class	MSPEED