

5

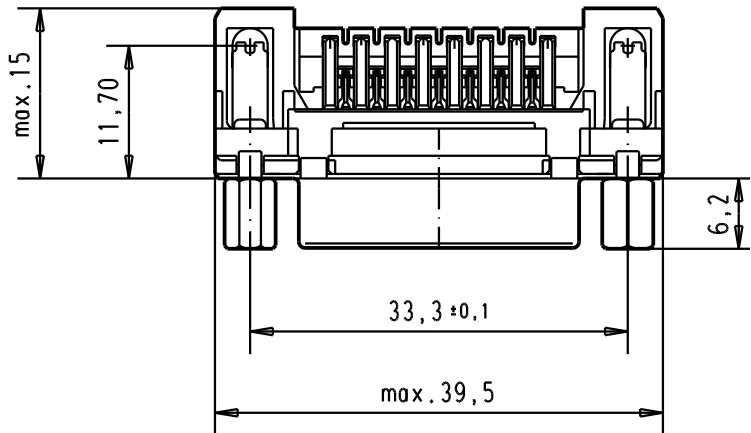
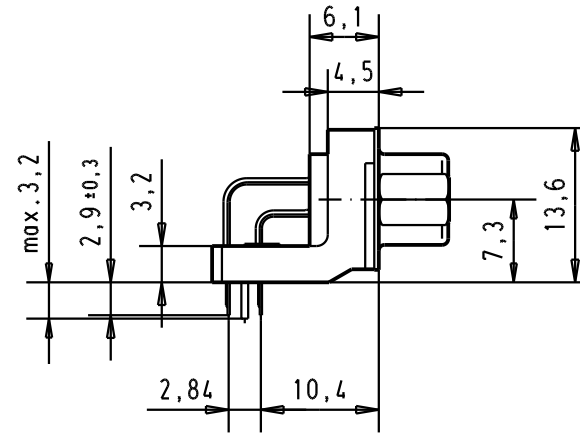
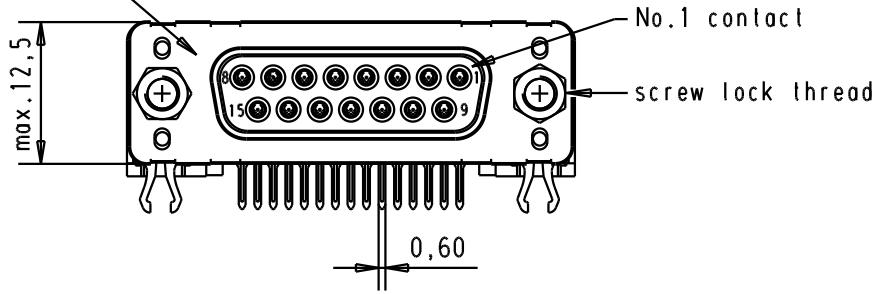
4

3

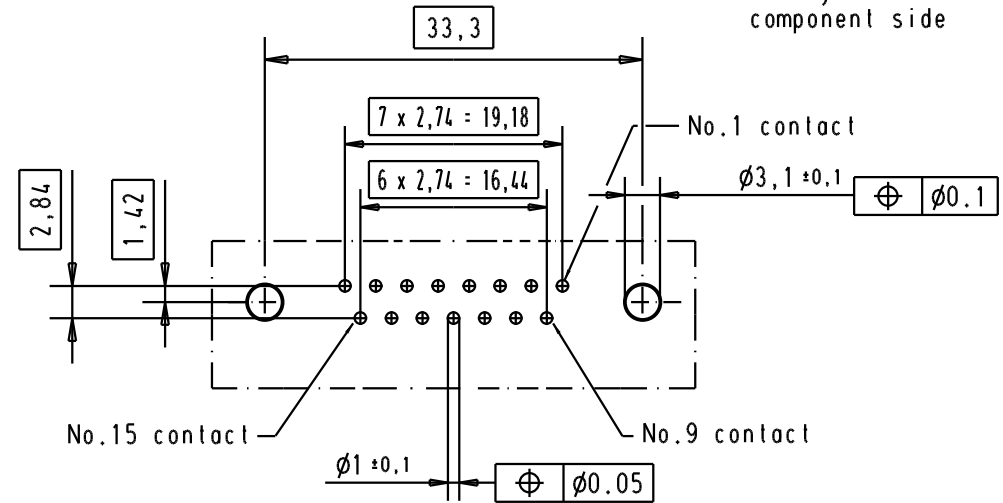
2

1

Mating face according to : MIL-C-24308 / DIN 41652 / CECC 75301-802



PCB layout hole component side



Connector retention and insertion forces on the PCB = 25 / 80 newtons

A

09 66 253 3633	M3	1																	
09 66 253 6633	M3	2																	
09 66 253 7633	M3	3																	
09 66 253 3613	4-40 UNC	1																	
09 66 253 6613	4-40 UNC	2	31892	05/05/04	JH														
09 66 253 7613	4-40 UNC	3	31084	04/SEP/02	YT														
Part number	Screw lock thread	Performance level	Mod.	Dat.	Name	HARTING EURL F-95972 Paris					D-Sub 15 poles standard angle female, solder pin with screw lock and grounding board lock.			Maßstab/ Scale 1.5:1					
											TB 0966253x6x3			Blatt/ Page 1/					
											Sub.								