

Crystal-less™ Configurable Two-Output Clock Generator

Features

- Two Simultaneous CMOS Outputs
 - Output 1 Range: 2.3 MHz to 170 MHz
 - Output 2 Range: 2.3 MHz to 170 MHz
- Low RMS Phase Jitter: <1 ps (typ.)
- High Stability: ±25 ppm, ±50 ppm
- Wide Temperature Range
 - Automotive: -40°C to +125°C
 - Ext. Industrial -40°C to +105°C
 - Industrial -40°C to +85°C
 - Ext. Commercial -20°C to +70°C
- High Supply Noise Rejection: -50 dBc
- High Shock and Vibration Immunity
 - Qualified to MIL-STD-883
- High Reliability
 - 20x higher MTBF than crystal-based clock generator designs
- Supply Range of 2.25V to 3.6V
- Lead Free and RoHS-Compliant

Applications

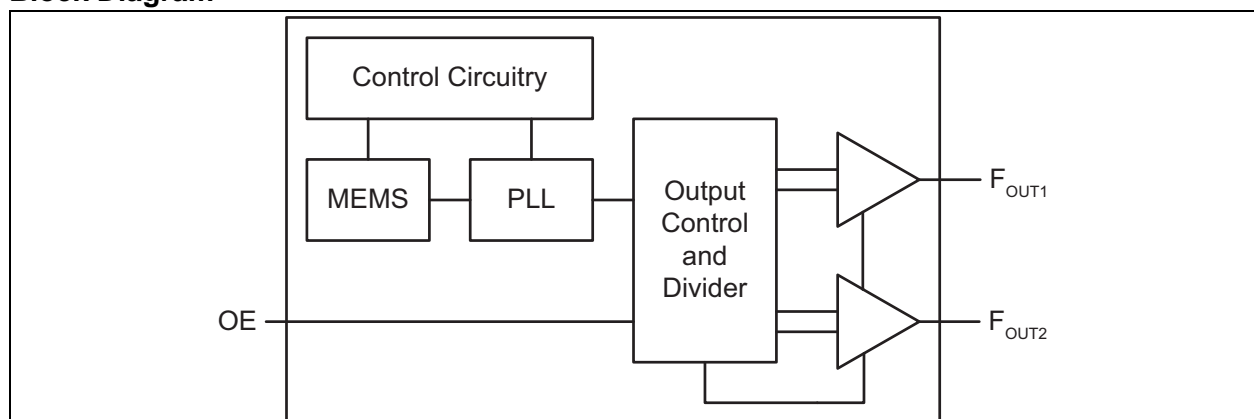
- Consumer Electronics
- Camera and Imaging Modules
- Home Automation
- Industrial and Power Conversion
- Mobile Communications, Internet, and Sensor Devices
- Solid State, Hard Drive, and Flash Drive Storage

General Description

The DSC2311 is a crystal-less™ clock generator that is factory-configurable to simultaneously output two separate frequencies from 2.3 MHz to 170 MHz. The clock generator uses proven silicon MEMS technology to provide low jitter and high frequency stability across a wide range of supply voltages and temperatures. By eliminating the external quartz crystal, crystal-less clock generators significantly enhance reliability and accelerate product development, while meeting stringent clock performance criteria for a variety of consumer electronics, communications, and storage applications.

DSC2311 has an Output Enable/Disable feature that allows it to disable the outputs when OE is low. The device is available in a space-saving 6-pin 2.5 mm x 2.0 mm crystal-less VDFN package that uses only a single external bypass capacitor. This requires a PCB footprint equivalent to that of a 1.0 mm x 1.0 mm crystal-based clock generator.

Block Diagram



DSC2311

1.0 ELECTRICAL CHARACTERISTICS

Absolute Maximum Ratings †

Supply Voltage	-0.3V to +4.0V
Input Voltage	-0.3V to $V_{DD}+0.3V$
ESD Protection (HBM)	4 kV
ESD Protection (CDM)	1.5 kV

† **Notice:** Stresses above those listed under “Absolute Maximum Ratings” may cause permanent damage to the device. This is a stress rating only and functional operation of the device at those or any other conditions above those indicated in the operational sections of this specification is not intended. Exposure to maximum rating conditions for extended periods may affect device reliability.

ELECTRICAL CHARACTERISTICS

Specifications: $V_{DD} = 3.3V$; $T_A = +25^{\circ}C$ unless otherwise specified.

Parameters	Sym.	Min.	Typ.	Max.	Units	Conditions
Supply Voltage (Note 1)	V_{DD}	2.25	—	3.6	V	—
Supply Current (Note 2)	I_{DD}	—	21	23	mA	EN pin low. All outputs disabled.
Frequency Stability (Note 3)	Δf	—	—	± 25	ppm	Includes frequency variations due to initial tolerance, temperature, and power supply voltage.
		—	—	± 50		
Aging	Δf	—	—	± 5	ppm	One year at $+25^{\circ}C$
Start-up Time (Note 4)	t_{SU}	—	—	5	ms	$T = +25^{\circ}C$
Input Logic Levels	V_{IH}	$0.75 \times V_{DD}$	—	—	V	Input logic high
	V_{IL}	—	—	$0.25 \times V_{DD}$		Input logic low
Output Disable Time	t_{DA}	—	—	5	ns	—
Output Enable Time	t_{EN}	—	—	20	ns	—
Pull-Up Resistor (Note 2)	—	—	40	—	k Ω	Pull-up exists on all digital IO
Output Logic Levels	V_{OH}	$0.9 \times V_{DD}$	—	—	V	Output logic high, $I = \pm 6$ mA
	V_{OL}	—	—	$0.1 \times V_{DD}$		Output logic low, $I = \pm 6$ mA
Output Transition Time	t_R	—	1.1	2.0	ns	Rise time. 20% to 80%; $C_L = 15$ pF
	t_F	—	1.4	2.0		Fall time. 20% to 80%; $C_L = 15$ pF
Frequency	f_0	2.3	—	170	MHz	Commercial/Industrial temp. range
		3.3	—	100		Automotive temp. range
		3.3	—	170		Extended Industrial temp. range

- Note 1:** Pin 4 V_{DD} should be filtered with a 0.01 μF capacitor.
- Note 2:** Output is enabled if Enable pad is floated or not connected. Operating current = disabled current + ΔI_{DD} from F_{OUT1} + ΔI_{DD} from F_{OUT2} . See [Current Consumption](#) graph for more information.
- Note 3:** For other ppm stabilities, please contact the factory.
- Note 4:** t_{SU} is time to 100 ppm stable output frequency after V_{DD} is applied and outputs are enabled.
- Note 5:** Period jitter includes crosstalk from adjacent output.

ELECTRICAL CHARACTERISTICS (CONTINUED)

Specifications: $V_{DD} = 3.3V$; $T_A = +25^{\circ}C$ unless otherwise specified.

Parameters	Sym.	Min.	Typ.	Max.	Units	Conditions
Output Duty Cycle	SYM	45	—	55	%	—
Period Jitter (Note 5)	J_{PER}	—	3	—	ps_{RMS}	$F_{O1} = F_{O2} = 25\text{ MHz}$
Integrated Phase Noise	J_{CC}	—	0.3	—	ps_{RMS}	200 kHz to 20 MHz @ 25 MHz
		—	0.38	—		100 kHz to 20 MHz @ 25 MHz
		—	1.7	2		12 kHz to 20 MHz @ 25 MHz

- Note 1:** Pin 4 V_{DD} should be filtered with a 0.01 μF capacitor.
- 2:** Output is enabled if Enable pad is floated or not connected. Operating current = disabled current + ΔI_{DD} from F_{OUT1} + ΔI_{DD} from F_{OUT2} . See [Current Consumption](#) graph for more information.
- 3:** For other ppm stabilities, please contact the factory.
- 4:** t_{SU} is time to 100 ppm stable output frequency after V_{DD} is applied and outputs are enabled.
- 5:** Period jitter includes crosstalk from adjacent output.

DSC2311

TEMPERATURE SPECIFICATIONS (Note 1)

Parameters	Sym.	Min.	Typ.	Max.	Units	Conditions
Temperature Ranges						
Operating Temperature Range (T)	T _A	-20	—	+70	°C	Ordering Option E
	T _A	-40	—	+85	°C	Ordering Option I
	T _A	-40	—	+105	°C	Ordering Option L
	T _A	-40	—	+125	°C	Ordering Option M
Junction Temperature	T _J	—	—	+150	°C	—
Storage Temperature Range	T _S	-40	—	+150	°C	—
Soldering Temperature Range	—	—	—	+260	°C	40 sec. max.

Note 1: The maximum allowable power dissipation is a function of ambient temperature, the maximum allowable junction temperature, and the thermal resistance from junction to air (i.e., T_A, T_J, θ_{JA}). Exceeding the maximum allowable power dissipation will cause the device operating junction temperature to exceed the maximum +125°C rating. Sustained junction temperatures above +125°C can impact the device reliability.

2.0 PIN DESCRIPTIONS

The descriptions of the pins are listed in [Table 2-1](#).

TABLE 2-1: PIN FUNCTION TABLE

Pin Number	Pin Name	Description
1	ENABLE	Output Enable for both CLK0 and CLK1.
2	N/C	Do not connect.
3	GROUND	Ground.
4	CLK0	Clock Output 0 (CMOS).
5	CLK1	Clock Output 1 (CMOS).
6	VDD	Supply Voltage.

DSC2311

3.0 OUTPUT WAVEFORM

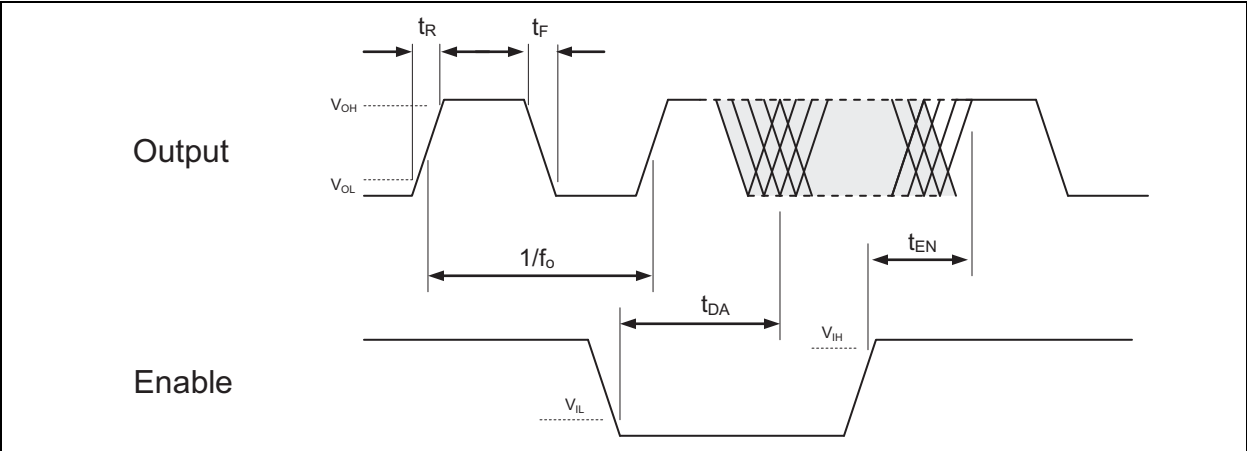


FIGURE 3-1: OE Function and Output Waveform: LVCMOS.

4.0 CURRENT CONSUMPTION

$$\text{Total Current} = \text{Disabled Current} + \Delta I_{DD} F_{OUT1} + \Delta I_{DD} F_{OUT2}$$

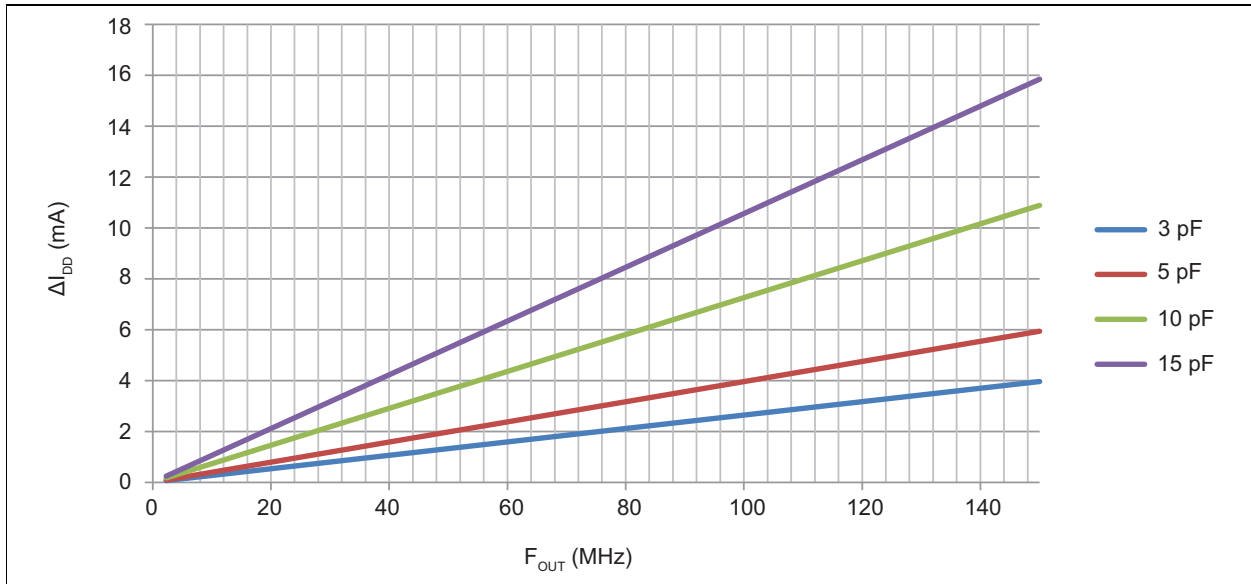
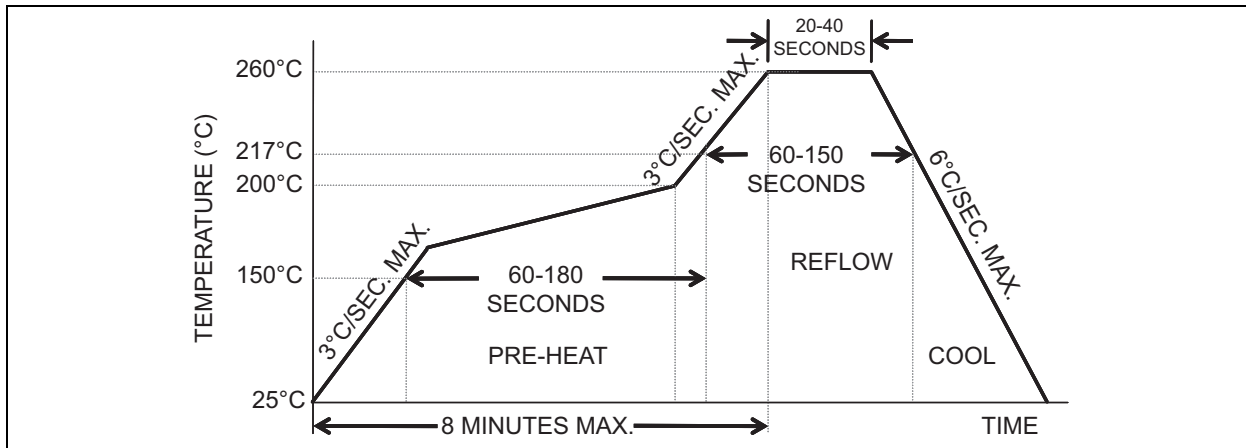


FIGURE 4-1: ΔI_{DD} / Output vs. Frequency and Load @ 3.3V V_{DD}

DSC2311

5.0 SOLDER REFLOW PROFILE



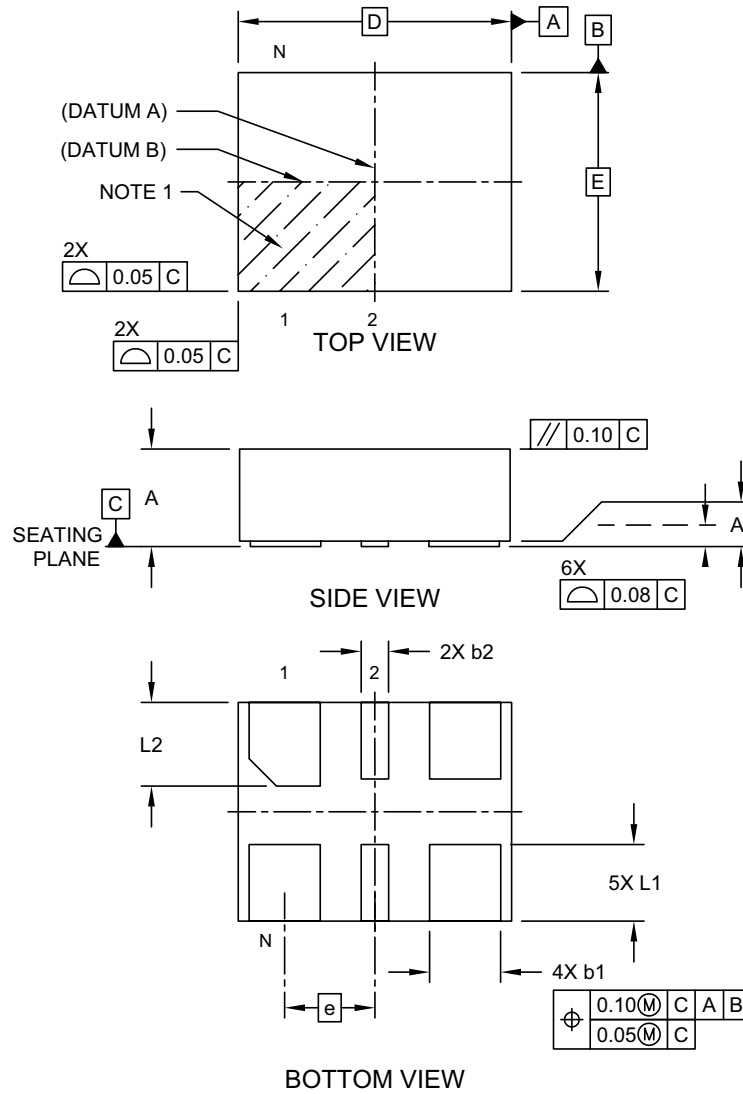
6-PIN QFN MSL 1 @ 260°C refer to JSTD-020C	
Ramp-Up Rate (200°C to Peak Temp)	3°C/sec. max.
Preheat Time 150°C to 200°C	60-180 sec.
Time Maintained above 217°C	60-150 sec.
Peak Temperature	255°C to 260°C
Time within 5°C of Actual Peak	20-40 sec.
Ramp-Down Rate	6°C/sec. max.
Time 25°C to Peak Temperature	8 minutes max.

6.0 PACKAGE MARKING INFORMATION

6-Lead VDFN 2.5 mm x 2.0 mm Package Outline and Recommended Land Pattern

6-Lead Very Thin Dual Flatpack No-Leads (J7A) - 2.5x2.0 mm Body [VDFN]

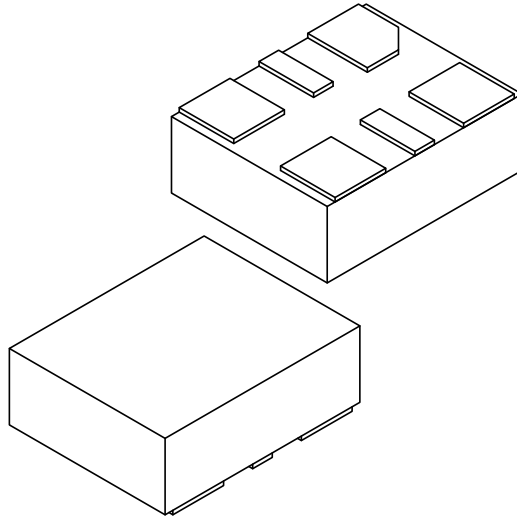
Note: For the most current package drawings, please see the Microchip Packaging Specification located at <http://www.microchip.com/packaging>



Microchip Technology Drawing C04-1005A Sheet 1 of 2

6-Lead Very Thin Dual Flatpack No-Leads (J7A) - 2.5x2.0 mm Body [VDFN]

Note: For the most current package drawings, please see the Microchip Packaging Specification located at <http://www.microchip.com/packaging>



Dimension Limits	Units	MILLIMETERS		
		MIN	NOM	MAX
Number of Terminals	N	6		
Pitch	e	0.825 BSC		
Overall Height	A	0.80	0.85	0.90
Standoff	A1	0.00	0.02	0.05
Overall Length	D	2.50 BSC		
Overall Width	E	2.00 BSC		
Terminal Width	b1	0.60	0.65	0.70
Terminal Width	b2	0.20	0.25	0.30
Terminal Length	L1	0.60	0.70	0.80
Terminal Length	L2	0.665	0.765	0.865

Notes:

- Pin 1 visual index feature may vary, but must be located within the hatched area.
- Package is saw singulated
- Dimensioning and tolerancing per ASME Y14.5M

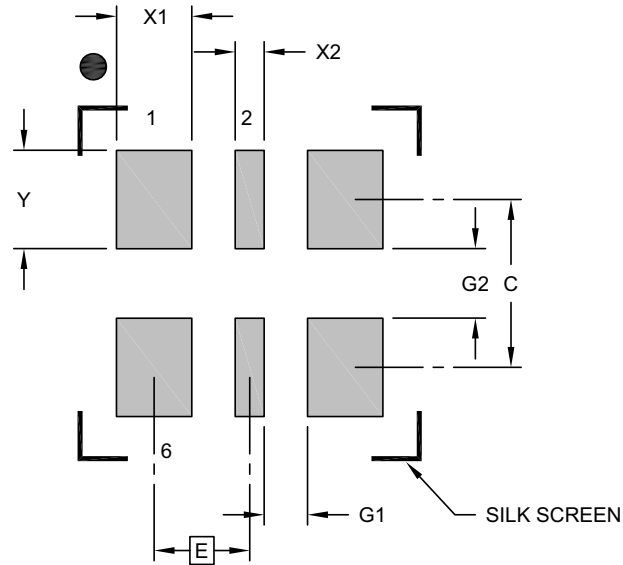
BSC: Basic Dimension. Theoretically exact value shown without tolerances.

REF: Reference Dimension, usually without tolerance, for information purposes only.

Microchip Technology Drawing C04-1005A Sheet 2 of 2

6-Lead Very Thin Dual Flatpack No-Leads (J7A) - 2.5x2.0 mm Body [VDFN]

Note: For the most current package drawings, please see the Microchip Packaging Specification located at <http://www.microchip.com/packaging>



RECOMMENDED LAND PATTERN

Dimension Limits	Units	MILLIMETERS		
		MIN	NOM	MAX
Contact Pitch	E	0.825 BSC		
Contact Pad Width (X4)	X1			0.65
Contact Pad Width (X2)	X2			0.25
Contact Pad Length (X6)	Y			0.85
Contact Pad Spacing	C		1.45	
Space Between Contacts (X4)	G1	0.38		
Space Between Contacts (X3)	G2	0.60		

Notes:

- Dimensioning and tolerancing per ASME Y14.5M
BSC: Basic Dimension. Theoretically exact value shown without tolerances.
- For best soldering results, thermal vias, if used, should be filled or tented to avoid solder loss during reflow process

Microchip Technology Drawing C04-3005A

DSC2311

NOTES:

APPENDIX A: REVISION HISTORY

Revision A (September 2016)

- Converted Micrel data sheet DSC2311 to Microchip DS20005611A.
- Minor text changes throughout.
- Package name updated to VDFN.

DSC2311

NOTES:

PRODUCT IDENTIFICATION SYSTEM

To order or obtain information, e.g., on pricing or delivery, contact your local Microchip representative or sales office.

<u>PART NO.</u>	X	X	X	<u>-Rxxxx</u>	X									
Device	Package	Temperature Range	Stability	Frequency	Package									
<p>Device: DSC2311: Crystal-less Configurable Two-Output Clock Generator</p> <p>Package: K = 6-LEAD 2.5 mm x 2.0 mm VDFN</p> <p>Temperature Range: E = -20°C to +70°C (Extended Commercial) I = -40°C to +85°C (Industrial) L = -40°C to +105°C (Extended Industrial) M = -40°C to +125°C (Automotive)</p> <p>Stability: 1 = ±50 ppm 2 = ±25 ppm</p> <p>Frequency: Rxxxx = Custom Frequency Code</p> <p>Packing Option: Blank = Tube T = Tape & Reel</p>														
<p>Examples:</p> <p>a) DSC2311KE1-RxxxxT: Crystal-less Configurable Two-Output Clock Generator, 6-LD VDFN, Extended Commercial Temp. Range, ±50 ppm Stability, Custom Frequency (F_{OUT1} and F_{OUT2}), Tape & Reel</p> <p>b) DSC2311KM2-Rxxxx: Crystal-less Configurable Two-Output Clock Generator, 6-LD VDFN, Automotive Temp. Range, ±25 ppm Stability, Custom Frequency (F_{OUT1} and F_{OUT2}), Tube</p>														
<p>Output Clock Frequencies</p> <p>Output frequencies are factory-configured to individual customer and product requirements, subject to output control and divider limitations. Contact sales with your custom frequency needs.</p> <table border="1" style="width: 100%; border-collapse: collapse;"> <thead> <tr> <th style="text-align: center;">Frequency Code</th> <th style="text-align: center;">F_{OUT1} (MHz)</th> <th style="text-align: center;">F_{OUT2} (MHz)</th> </tr> </thead> <tbody> <tr> <td style="text-align: center;">R0001</td> <td style="text-align: center;">127</td> <td style="text-align: center;">127</td> </tr> <tr> <td style="text-align: center;">R0002</td> <td style="text-align: center;">25</td> <td style="text-align: center;">125</td> </tr> </tbody> </table>						Frequency Code	F _{OUT1} (MHz)	F _{OUT2} (MHz)	R0001	127	127	R0002	25	125
Frequency Code	F _{OUT1} (MHz)	F _{OUT2} (MHz)												
R0001	127	127												
R0002	25	125												

DSC2311

NOTES:

Note the following details of the code protection feature on Microchip devices:

- Microchip products meet the specification contained in their particular Microchip Data Sheet.
- Microchip believes that its family of products is one of the most secure families of its kind on the market today, when used in the intended manner and under normal conditions.
- There are dishonest and possibly illegal methods used to breach the code protection feature. All of these methods, to our knowledge, require using the Microchip products in a manner outside the operating specifications contained in Microchip's Data Sheets. Most likely, the person doing so is engaged in theft of intellectual property.
- Microchip is willing to work with the customer who is concerned about the integrity of their code.
- Neither Microchip nor any other semiconductor manufacturer can guarantee the security of their code. Code protection does not mean that we are guaranteeing the product as “unbreakable.”

Code protection is constantly evolving. We at Microchip are committed to continuously improving the code protection features of our products. Attempts to break Microchip's code protection feature may be a violation of the Digital Millennium Copyright Act. If such acts allow unauthorized access to your software or other copyrighted work, you may have a right to sue for relief under that Act.

Information contained in this publication regarding device applications and the like is provided only for your convenience and may be superseded by updates. It is your responsibility to ensure that your application meets with your specifications. MICROCHIP MAKES NO REPRESENTATIONS OR WARRANTIES OF ANY KIND WHETHER EXPRESS OR IMPLIED, WRITTEN OR ORAL, STATUTORY OR OTHERWISE, RELATED TO THE INFORMATION, INCLUDING BUT NOT LIMITED TO ITS CONDITION, QUALITY, PERFORMANCE, MERCHANTABILITY OR FITNESS FOR PURPOSE. Microchip disclaims all liability arising from this information and its use. Use of Microchip devices in life support and/or safety applications is entirely at the buyer's risk, and the buyer agrees to defend, indemnify and hold harmless Microchip from any and all damages, claims, suits, or expenses resulting from such use. No licenses are conveyed, implicitly or otherwise, under any Microchip intellectual property rights unless otherwise stated.

Microchip received ISO/TS-16949:2009 certification for its worldwide headquarters, design and wafer fabrication facilities in Chandler and Tempe, Arizona; Gresham, Oregon and design centers in California and India. The Company's quality system processes and procedures are for its PIC® MCUs and dsPIC® DSCs, KEELOQ® code hopping devices, Serial EEPROMs, microperipherals, nonvolatile memory and analog products. In addition, Microchip's quality system for the design and manufacture of development systems is ISO 9001:2000 certified.

**QUALITY MANAGEMENT SYSTEM
CERTIFIED BY DNV
= ISO/TS 16949 =**

Trademarks

The Microchip name and logo, the Microchip logo, AnyRate, dsPIC, FlashFlex, flexPWR, Heldo, JukeBlox, KeeLoq, KeeLoq logo, Klear, LANCheck, LINK MD, MediaLB, MOST, MOST logo, MPLAB, OptoLyzer, PIC, PICSTART, PIC32 logo, RightTouch, SpyNIC, SST, SST Logo, SuperFlash and UNI/O are registered trademarks of Microchip Technology Incorporated in the U.S.A. and other countries.

ClockWorks, The Embedded Control Solutions Company, ETHERSYNCH, Hyper Speed Control, HyperLight Load, IntelliMOS, mTouch, Precision Edge, and QUIET-WIRE are registered trademarks of Microchip Technology Incorporated in the U.S.A.

Analog-for-the-Digital Age, Any Capacitor, AnyIn, AnyOut, BodyCom, chipKIT, chipKIT logo, CodeGuard, dsPICDEM, dsPICDEM.net, Dynamic Average Matching, DAM, ECAN, EtherGREEN, In-Circuit Serial Programming, ICSP, Inter-Chip Connectivity, JitterBlocker, KlearNet, KlearNet logo, MiWi, motorBench, MPASM, MPF, MPLAB Certified logo, MPLIB, MPLINK, MultiTRAK, NetDetach, Omniscient Code Generation, PICDEM, PICDEM.net, PICkit, PICtail, PureSilicon, RightTouch logo, REAL ICE, Ripple Blocker, Serial Quad I/O, SQL, SuperSwitcher, SuperSwitcher II, Total Endurance, TSHARC, USBCheck, VariSense, ViewSpan, WiperLock, Wireless DNA, and ZENA are trademarks of Microchip Technology Incorporated in the U.S.A. and other countries.

SQTP is a service mark of Microchip Technology Incorporated in the U.S.A.

Silicon Storage Technology is a registered trademark of Microchip Technology Inc. in other countries.

GestIC is a registered trademarks of Microchip Technology Germany II GmbH & Co. KG, a subsidiary of Microchip Technology Inc., in other countries.

All other trademarks mentioned herein are property of their respective companies.

© 2016, Microchip Technology Incorporated, Printed in the U.S.A., All Rights Reserved.

ISBN: 978-1-5224-0986-1



MICROCHIP

Worldwide Sales and Service

AMERICAS

Corporate Office

2355 West Chandler Blvd.
Chandler, AZ 85224-6199

Tel: 480-792-7200

Fax: 480-792-7277

Technical Support:

[http://www.microchip.com/
support](http://www.microchip.com/support)

Web Address:

www.microchip.com

Atlanta

Duluth, GA

Tel: 678-957-9614

Fax: 678-957-1455

Austin, TX

Tel: 512-257-3370

Boston

Westborough, MA

Tel: 774-760-0087

Fax: 774-760-0088

Chicago

Itasca, IL

Tel: 630-285-0071

Fax: 630-285-0075

Cleveland

Independence, OH

Tel: 216-447-0464

Fax: 216-447-0643

Dallas

Addison, TX

Tel: 972-818-7423

Fax: 972-818-2924

Detroit

Novi, MI

Tel: 248-848-4000

Houston, TX

Tel: 281-894-5983

Indianapolis

Noblesville, IN

Tel: 317-773-8323

Fax: 317-773-5453

Los Angeles

Mission Viejo, CA

Tel: 949-462-9523

Fax: 949-462-9608

New York, NY

Tel: 631-435-6000

San Jose, CA

Tel: 408-735-9110

Canada - Toronto

Tel: 905-695-1980

Fax: 905-695-2078

ASIA/PACIFIC

Asia Pacific Office

Suites 3707-14, 37th Floor
Tower 6, The Gateway
Harbour City, Kowloon

Hong Kong

Tel: 852-2943-5100

Fax: 852-2401-3431

Australia - Sydney

Tel: 61-2-9868-6733

Fax: 61-2-9868-6755

China - Beijing

Tel: 86-10-8569-7000

Fax: 86-10-8528-2104

China - Chengdu

Tel: 86-28-8665-5511

Fax: 86-28-8665-7889

China - Chongqing

Tel: 86-23-8980-9588

Fax: 86-23-8980-9500

China - Dongguan

Tel: 86-769-8702-9880

China - Guangzhou

Tel: 86-20-8755-8029

China - Hangzhou

Tel: 86-571-8792-8115

Fax: 86-571-8792-8116

China - Hong Kong SAR

Tel: 852-2943-5100

Fax: 852-2401-3431

China - Nanjing

Tel: 86-25-8473-2460

Fax: 86-25-8473-2470

China - Qingdao

Tel: 86-532-8502-7355

Fax: 86-532-8502-7205

China - Shanghai

Tel: 86-21-5407-5533

Fax: 86-21-5407-5066

China - Shenyang

Tel: 86-24-2334-2829

Fax: 86-24-2334-2393

China - Shenzhen

Tel: 86-755-8864-2200

Fax: 86-755-8203-1760

China - Wuhan

Tel: 86-27-5980-5300

Fax: 86-27-5980-5118

China - Xian

Tel: 86-29-8833-7252

Fax: 86-29-8833-7256

ASIA/PACIFIC

China - Xiamen

Tel: 86-592-2388138

Fax: 86-592-2388130

China - Zhuhai

Tel: 86-756-3210040

Fax: 86-756-3210049

India - Bangalore

Tel: 91-80-3090-4444

Fax: 91-80-3090-4123

India - New Delhi

Tel: 91-11-4160-8631

Fax: 91-11-4160-8632

India - Pune

Tel: 91-20-3019-1500

Japan - Osaka

Tel: 81-6-6152-7160

Fax: 81-6-6152-9310

Japan - Tokyo

Tel: 81-3-6880-3770

Fax: 81-3-6880-3771

Korea - Daegu

Tel: 82-53-744-4301

Fax: 82-53-744-4302

Korea - Seoul

Tel: 82-2-554-7200

Fax: 82-2-558-5932 or

82-2-558-5934

Malaysia - Kuala Lumpur

Tel: 60-3-6201-9857

Fax: 60-3-6201-9859

Malaysia - Penang

Tel: 60-4-227-8870

Fax: 60-4-227-4068

Philippines - Manila

Tel: 63-2-634-9065

Fax: 63-2-634-9069

Singapore

Tel: 65-6334-8870

Fax: 65-6334-8850

Taiwan - Hsin Chu

Tel: 886-3-5778-366

Fax: 886-3-5770-955

Taiwan - Kaohsiung

Tel: 886-7-213-7828

Taiwan - Taipei

Tel: 886-2-2508-8600

Fax: 886-2-2508-0102

Thailand - Bangkok

Tel: 66-2-694-1351

Fax: 66-2-694-1350

EUROPE

Austria - Wels

Tel: 43-7242-2244-39

Fax: 43-7242-2244-393

Denmark - Copenhagen

Tel: 45-4450-2828

Fax: 45-4485-2829

France - Paris

Tel: 33-1-69-53-63-20

Fax: 33-1-69-30-90-79

Germany - Dusseldorf

Tel: 49-2129-3766400

Germany - Karlsruhe

Tel: 49-721-625370

Germany - Munich

Tel: 49-89-627-144-0

Fax: 49-89-627-144-44

Italy - Milan

Tel: 39-0331-742611

Fax: 39-0331-466781

Italy - Venice

Tel: 39-049-7625286

Netherlands - Drunen

Tel: 31-416-690399

Fax: 31-416-690340

Poland - Warsaw

Tel: 48-22-3325737

Spain - Madrid

Tel: 34-91-708-08-90

Fax: 34-91-708-08-91

Sweden - Stockholm

Tel: 46-8-5090-4654

UK - Wokingham

Tel: 44-118-921-5800

Fax: 44-118-921-5820

06/23/16