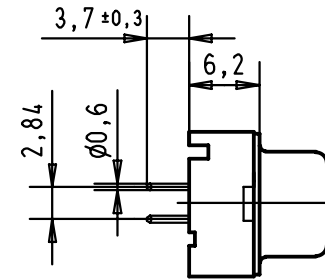
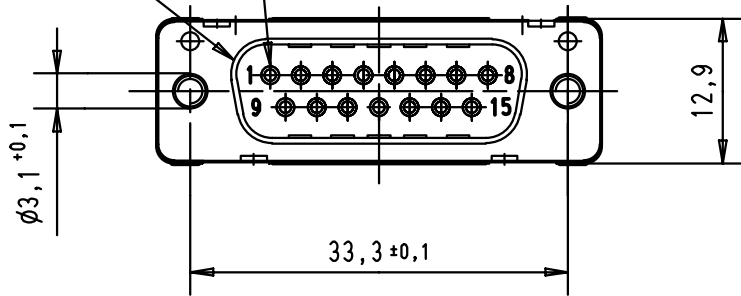


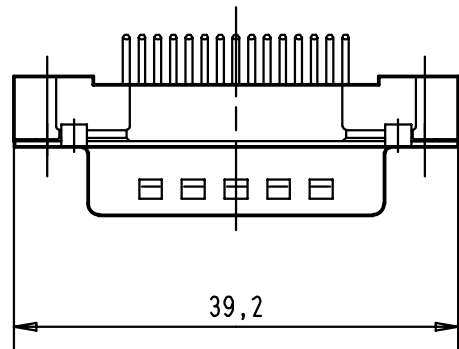
5 4 3 2 1

Mating face according to MIL-C-24308 / DIN 41 652 / CECC 75301-802

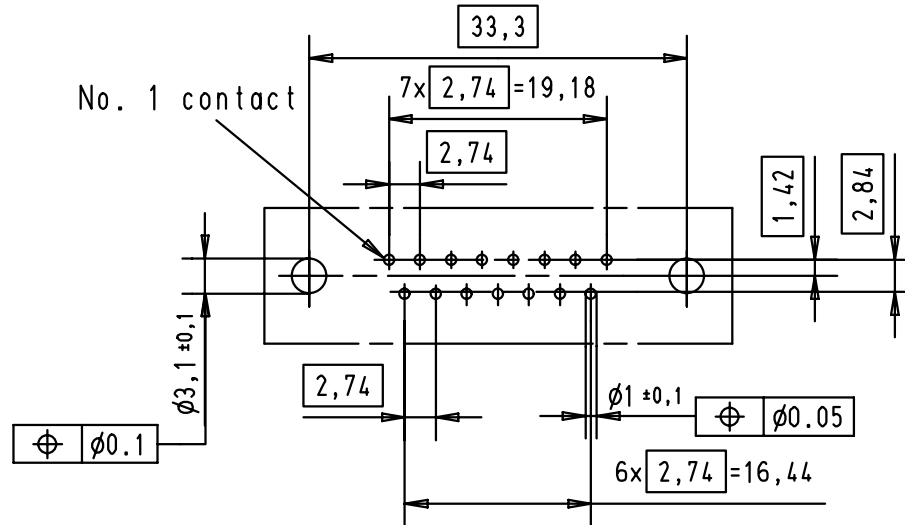
No. 1 contact



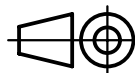

Printed board layout (1,6 ± 0,2 thick)
View component side
(PCB plating = Tin)



No. 1 contact



A

09 66 221 6701	M3	2							 All Dim. in mm Orig. Size DIN A 4	D-Sub male straight 15 poles with solder pins and nuts	Maßstab/ Scale 1,5:1
09 66 221 7701	M3	3				Detail.	8-NOV-01	JB			
09 66 221 5701	M3	0,76 µm Au				Insp.					
09 66 221 6702	4-40 UNC	2				Stand.					
09 66 221 7702	4-40 UNC	3				HARTING EURL F-95972 Paris			TB 09 66 221 X70X Sub.	Blatt/ Page 1	
09 66 221 5702	4-40 UNC	0,76 µm Au	29737	8-NOV-01	JB						
Part number	nut thread	Performance level	Mod.	Dat.	Name						