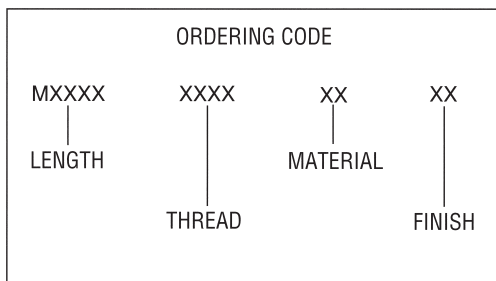
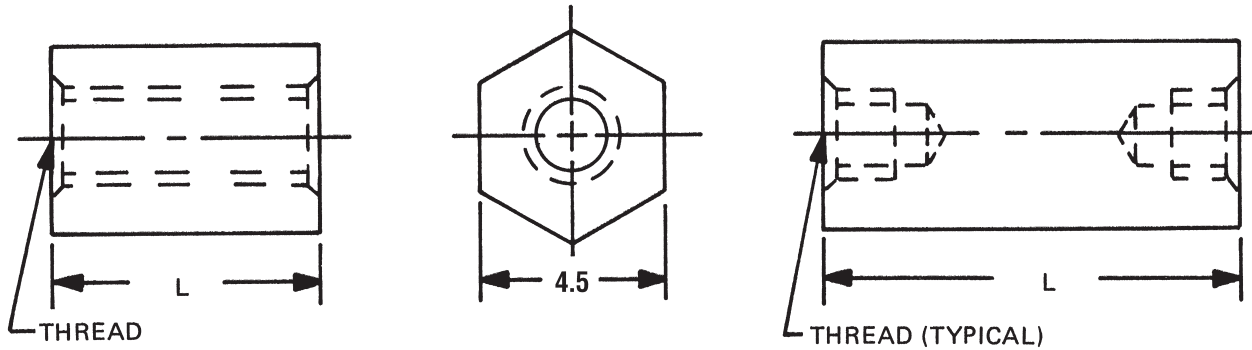




# 4.5mm HEX FEMALE STANDOFFS



See page 7M for thread depth chart  
 See page 6M for finish codes  
 For non-standard parts contact Sales Office

LENGTH	PART NO.
3	<b>M1250</b>
4	<b>M1251</b>
5	<b>M1252</b>
6	<b>M1253</b>
7	<b>M1254</b>
8	<b>M1255</b>
9	<b>M1256</b>
10	<b>M1257</b>
11	<b>M1258</b>
12	<b>M1259</b>
13	<b>M1260</b>
14	<b>M1261</b>
15	<b>M1262</b>
16	<b>M1263</b>
17	<b>M1264</b>
18	<b>M1265</b>

LENGTH	PART NO.
19	<b>M1266</b>
20	<b>M1267</b>
21	<b>M1268</b>
22	<b>M1269</b>
23	<b>M1270</b>
24	<b>M1271</b>
25	<b>M1272</b>
28	<b>M1273</b>
31	<b>M1274</b>
34	<b>M1275</b>
37	<b>M1276</b>
40	<b>M1277</b>
43	<b>M1278</b>
46	<b>M1279</b>
49	<b>M1280</b>
52	<b>M1281</b>

THREAD	CODE
M2.5x0.45	2545
M3x0.5	3005

MATERIAL	CODE	RoHS
Aluminum	AL	YES
Brass	B	YES
Stainless Steel	SS	YES
Steel	S	YES
Nylon	N	YES



95 Silvermine Road, Seymour, Ct. 06483 Phone: 203-888-2133 Fax: 203-888-9860  
 e-mail : [info@rafhdwe.com](mailto:info@rafhdwe.com) Web: [www.rafhdwe.com](http://www.rafhdwe.com)

