

Double-level terminal, Push-in connection, Mounting type: Mounting rail TS 35/7.5, Rated cross-section: 2.5 mm², Width: 5.1 mm, Colour: Grey

RAL: Ähnlich 7035

Business data

Article number	27036.6
Article name	PRKD 2,5 GR
GTIN (EAN)	4044211226695
Packaging unit	50
Quantity unit	PC
Weight per piece (not including packaging)	9.57 g
Weight per piece (including packaging)	10.31 g
Unit of weight	G
Customs number	85369010
Country of origin	CZ
Prio-Article	27036.6
Product description	Double-level terminal

Technical data

Dimensions

Length	68.7 mm
Width	5.1 mm
Height	45.7 mm
Height TS 35/7.5	47.2 mm

Ratings

Rated voltage	500 V
Rated current	22 A
Rated cross-section	2.5 mm ²
Rated impulse voltage	6 kV
Overvoltage category	3
Contamination degree	III
Maximum power dissipation for nominal condition	1.41 W

Connection data

Connection principle	Push-in connection
Connection position	Top
Connections	2x2
Number of terminals per level	2
Number of levels	2
Wire cross-section single-core (rigid) / stranded, min.	0.5 mm ²
Wire cross-section single core (rigid)/stranded, max.	4 mm ²
Wire cross-section stranded, min.	0.5 mm ²
Wire cross-section stranded, max.	2.5 mm ²
Wire cross-section stranded with wire-end ferrules, min.	0.5 mm ²
Wire cross-section stranded with wire-end ferrules, max.	2.5 mm ²
Wire cross-section AWG, min.	21
Wire cross-section AWG, max.	12
Stripping length	10 mm

Materials

Insulation housing	Polyamide 6.6
Flammability class UL 94	V-0
Working temperature, min.	-40 °C
Working temperature, max.	120 °C

Technical data

Further technical data

Mounting type	Mounting rail TS 35/7,5 and TS 35/15
Gauge plug acc. to EN 60 947-1	A3
Number of cross-connection channels	2
End plate required	✓

Environmental Product Compliance

REACH Conform	yes
REACH Reference date	2022-06-10
REACH Candidate Substance Note	No
RoHS Conform	yes

Approvals

Standards and regulations

EAC approval	TR ZU 004/2011
--------------	----------------

EAC approval granted	yes
----------------------	-----

cUL Recognized

cUL approval	CSA-C22.2 No. 158
--------------	-------------------

cUL Usegroup B: rated voltage	300 V
-------------------------------	-------

cUL Usegroup B: rated current	20 A
-------------------------------	------

cUL Usegroup C: rated voltage	300 V
-------------------------------	-------

cUL Usegroup C: rated current	20 A
-------------------------------	------

cUL Usegroup D: rated voltage	600 V
-------------------------------	-------

cUL Usegroup D: rated current	5 A
-------------------------------	-----

cUL wire cross-section single-core (rigid) AWG, min.	26
--	----

cUL wire cross-section single-core (rigid) AWG, max.	12
--	----

cUL wire cross-section stranded AWG, min.	26
---	----

cUL wire cross-section stranded AWG, max.	12
---	----

cUL wire material	Cu
-------------------	----

cUL File Number	E95701
-----------------	--------

cUL Recognized	1
----------------	---

KEMA KEUR approval

KEMA KEUR approval	EN 60947-7-1:2009
--------------------	-------------------

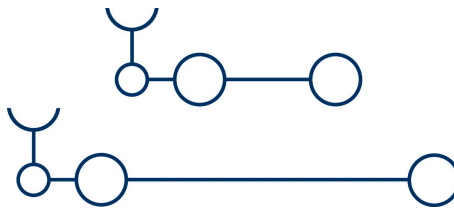
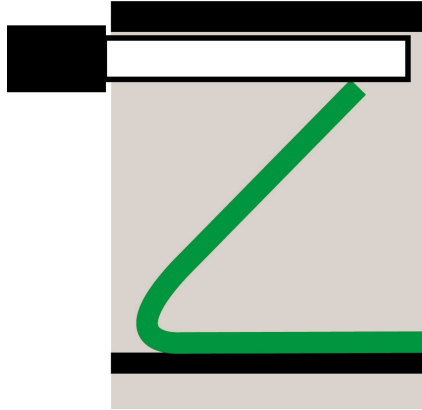
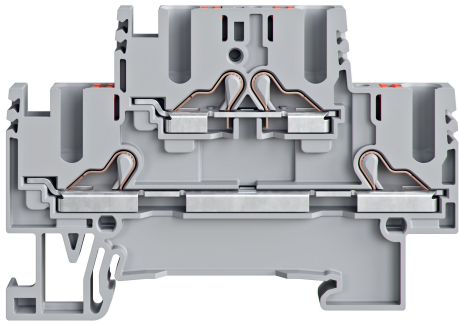
KEMA KEUR approval applied for	yes
--------------------------------	-----

Approvals

UL Recognized

UL approval	UL 1059
UL Usegroup B: rated voltage	300 V
UL Usegroup B: rated current	20 A
UL Usegroup C: rated voltage	300 V
UL Usegroup C: rated current	20 A
UL Usegroup D: rated voltage	600 V
UL Usegroup D: rated current	5 A
UL wire cross-section single-core (rigid) AWG, min.	26
UL wire cross-section single-core (rigid) AWG, max.	12
UL wire cross-section stranded AWG, min.	26
UL wire cross-section stranded AWG, max.	12
UL wire material	Cu
UL factory wiring	1
UL field wiring	1
UL File Number	E95701
UL Recognized	1

Media



Accessories

End plate

End plate, Width: 1.5 mm, Colour: Grey



Article number	Article name	GTIN (EAN)	Packaging unit
<u>27118.6</u>	PAPD 2,5 GR	4044211225155	20

End stop

End stop, Mounting type: Mounting rail TS 35/7.5 and TS 35/15, Width: 5 mm, Colour: Beige



Article number	Article name	GTIN (EAN)	Packaging unit
<u>3811.2</u>	ZES 35/2 BG	4044211080600	50

Test plug

Test plug, Colour: Red



Article number	Article name	GTIN (EAN)	Packaging unit
<u>2007.0</u>	PS 2,3	4044211048105	20 ST

Insulated cross-connector

Insulated cross-connector, No. of poles: 10, Mounting type: Plug in, Width: 49.9 mm, Colour: Red



Article number	Article name	GTIN (EAN)	Packaging unit
<u>27140.9</u>	PQI 2,5/10 RD	4044211225261	10

Identification adapter



Label holder, Pitch size: 5.1 mm, Colour: grey

Article number	Article name	GTIN (EAN)	Packaging unit
<u>27174.6</u>	PBA 2 GR	4044211226947	20 ST

Quick marking

Terminal marker / PC Card, Length: 5 mm, Width: 5 mm, Colour: White

Article number	Article name	GTIN (EAN)	Packaging unit
<u>28342.7</u>	PC-SB 5X5/48 WH	4044211210380	960 ST

Screwdriver

Screwdriver with bare blade, Colour:



Article number	Article name	GTIN (EAN)	Packaging unit
<u>3169.0</u>	SDB 0,4x2,5	4044211125202	1 ST