

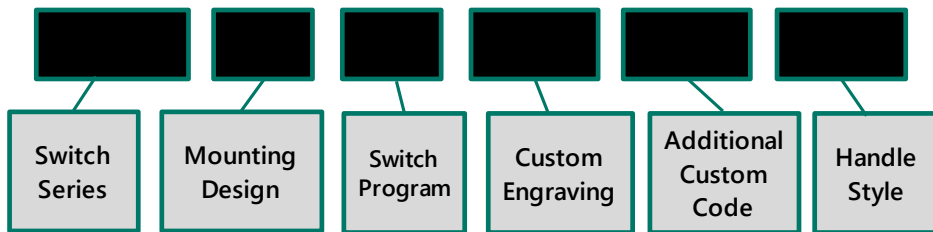
Rotary Cam Switches – Instrumentation Switches

Voltmeter & Ammeter Selector Switches

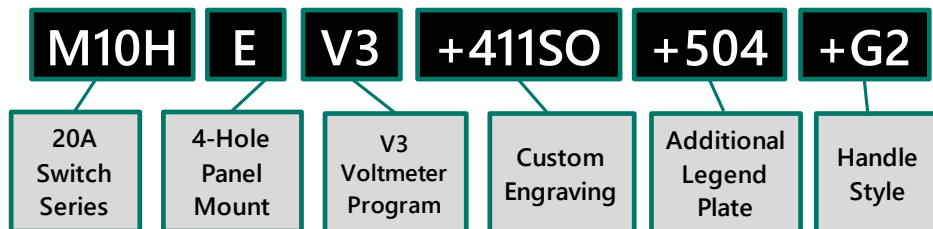


| Switch Series | Rated Voltage (V) | Rated Operation Current UL (A) | Cable Cross Sections (AWG) |
|---------------|-------------------|--------------------------------|---------------------------------|
| M10H | 600 | 20 | Solid = 12-20; Flexible = 14-20 |
| M20 | 600 | 25 | Solid = 10-18; Flexible = 8-18 |

Part Number Creation:



Instrumentation Switch Example:



Rotary Cam Switches – Instrumentation Switches



Voltmeter Selector Switches

| Switch Series | Program Code | Description | Wiring Diagram | Switching Angle | # of Cells | Escutcheon Plate |
|---------------|--------------|--|----------------|-----------------|------------|--|
| M10H, M20 | V3 | <p>3 line voltages</p> <p>J2 J1</p> | | 45° | 2 | <p>*additional engraving options available</p> |
| M10H, M20 | V0 | <p>3 phase voltages</p> <p>J2 J1</p> | | 45° | 2 | <p>*additional engraving options available</p> |
| M10H, M20 | V1 | <p>3 line voltages & 3 phase voltages</p> <p>J2 J1</p> | | 30° | 3 | <p>*additional engraving options available</p> |
| M10H, M20 | V32 | <p>23-phase systems 2 x 3 line voltages</p> <p>J2 J1</p> | | 45° | 4 | <p>*additional engraving options available</p> |
| M10H, M20 | V13 | <p>3 line voltages & 1 phase voltage</p> <p>J2 J1</p> | | 45° | 3 | <p>*additional engraving options available</p> |

Specifications are subject to change without notice

Rotary Cam Switches – Instrumentation Switches

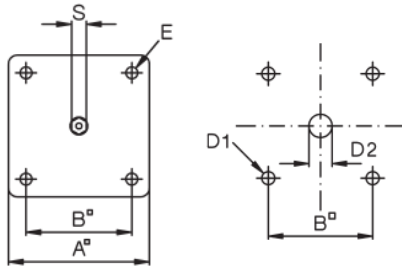
Ammeter Selector Switches

| Switch Series | Program Code | Description | Wiring Diagram | Switching Angle | # of Cells | Escutcheon Plate |
|---------------|--------------|--|----------------|-----------------|------------|--|
| M10H, M20 | M11 | 1 pole, for current transformer | | 90° | 1 | <p>*additional engraving options available</p> |
| M10H, M20 | M12 | 2 pole, for 1 current transformer or direct current measurement | | 90° | 2 | <p>*additional engraving options available</p> |
| M10H, M20 | M21 | 1 pole, for 2 current transformers | | 90° | 2 | <p>*additional engraving options available</p> |
| M10H, M20 | M22 | 2 pole, for 2 current transformers or direct current measurement in 2 phases | | 90° | 3 | <p>*additional engraving options available</p> |
| M10H, M20 | M31 | 1 pole, for 3 current transformers | | 90° | 3 | <p>*additional engraving options available</p> |
| M10H, M20 | M32 | 2 pole, for 3 current transformers or direct current measurement in 3 phases | | 90° | 6 | <p>*additional engraving options available</p> |
| M10H, M20 | M41 | 1 pole, for 4 current transformers | | 90° | 4 | <p>*additional engraving options available</p> |
| M10H, M20 | M42 | 2 pole, for 4 current transformer or direct current measurement in 4 phases | | 90° | 6 | <p>*additional engraving options available</p> |

Dimensions

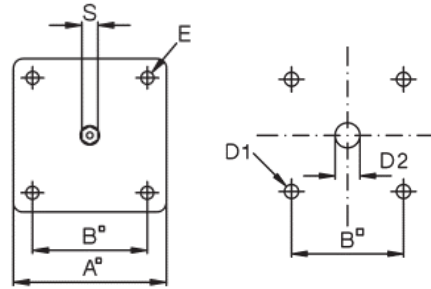
Panel Mount - E (mm)

| Series | A | B | D1 | D2 | E |
|--------|----|----|----|----|---|
| M10H | 48 | 36 | 5 | 8 | 4 |
| M20 | 48 | 36 | 5 | 8 | 4 |

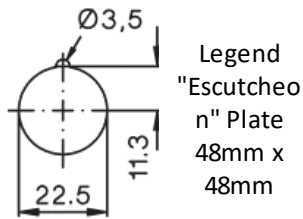


Base Mount - V (mm)

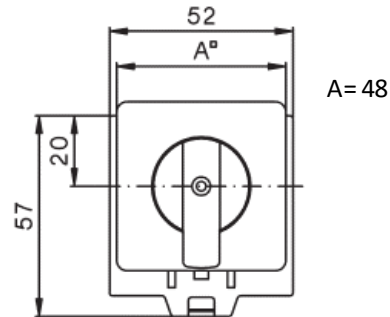
| Series | A | B | D1 | D2 | E |
|--------|----|----|----|----|-----|
| M10H | 48 | 36 | 5 | 8 | 4.2 |
| M20 | 48 | 36 | 5 | 8 | 4.2 |



Single Hole Mount - Z & ZO (mm)



DIN Rail Mount - SM (mm)



Analog Panel Meters
also available from
B&J-USA, Inc.