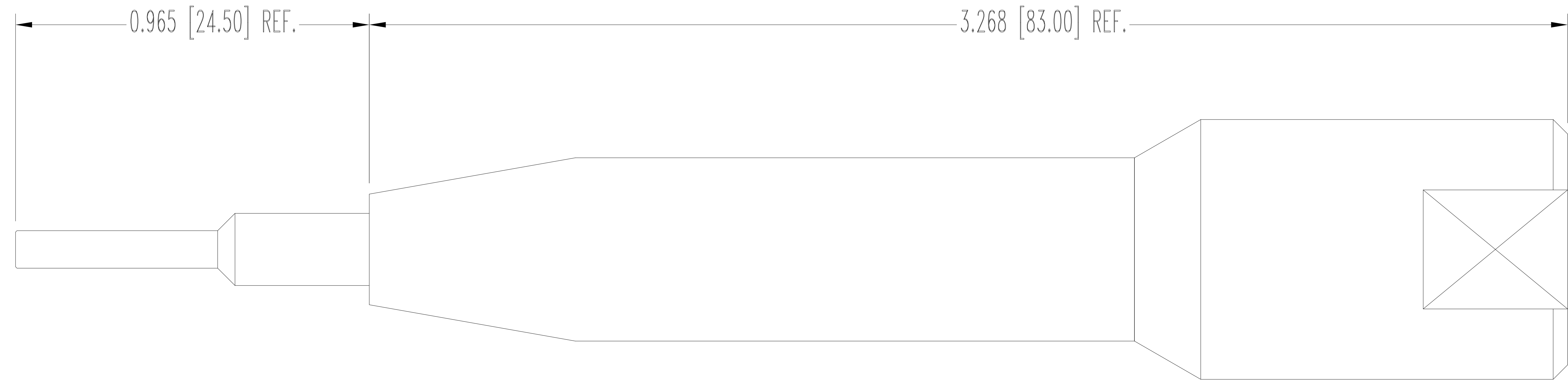
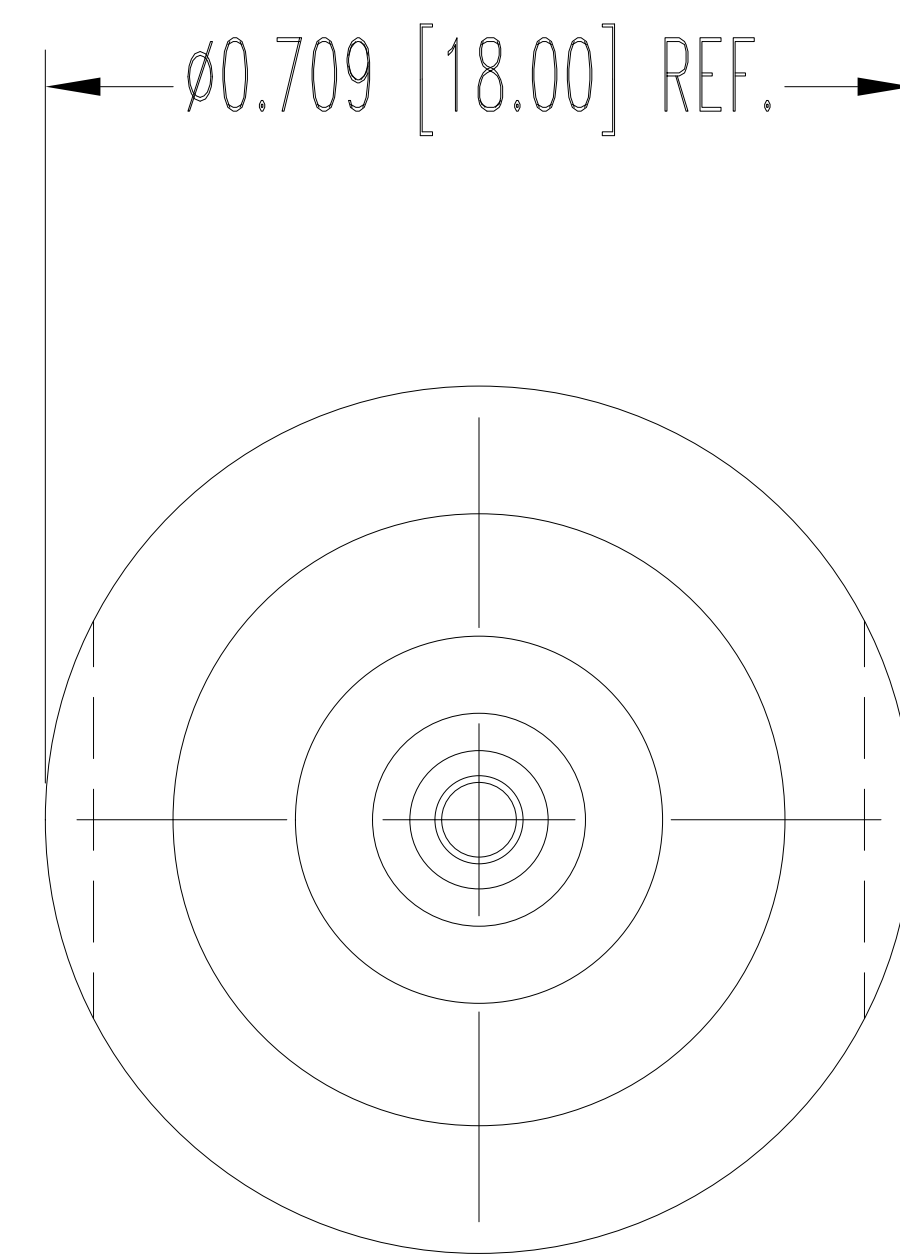
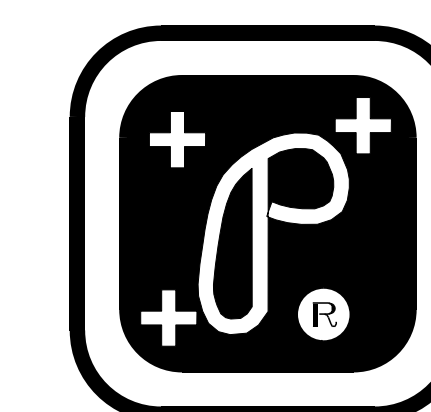


THIS DRAWING CONTAINS INFORMATION PROPRIETARY TO POSITRONIC AND ITS SUBSIDIARIES. POSITRONIC BELIEVES THE DATA ON THIS DRAWING TO BE RELIABLE. SINCE THE TECHNICAL INFORMATION IS GIVEN FREE OF CHARGE, THE USER EMPLOYS SUCH INFORMATION AT HIS OWN DISCRETION AND RISK. POSITRONIC ASSUMES NO RESPONSIBILITY FOR RESULTS OBTAINED OR DAMAGES INCURRED FROM USE OF SUCH INFORMATION IN WHOLE OR IN PART.

DATE	REV	REVISION RECORD	APP	DR	CK
1-7-14	NC	ECO 41873	TK	MP	COLE

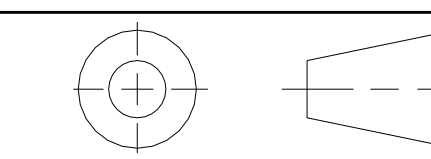


NOTES:  
1. DIMENSIONS ARE IN INCHES [MILLIMETERS].



POSITRONIC INDUSTRIES INC.  
www.connectpositronic.com

FSCM 28198



DECIMAL TOL.  
± 0.015 [0.38]

DF SERIES

SCALE  
N.T.S.

DRAWN BY  
MP  
APPROVED BY  
TK

TITLE  
9081-9-0-0

ANGULAR TOL.  
± 5°

DATE  
1-7-14

DRAWING NUMBER  
SK15722  
REV.  
NC