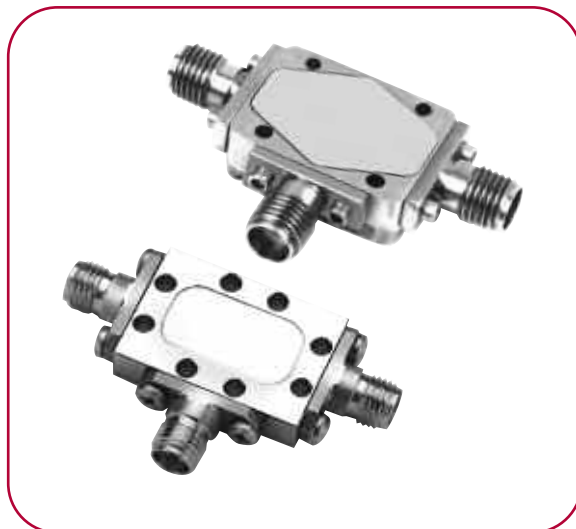


2 TO 18 GHz TRIPLE-BALANCED MIXER

MODELS: TB0218LW2 AND TB0218LA1

FEATURES

- RF/LO coverage 2 to 18 GHz
- IF operation 0.5 to 8 GHz
- High LO-to-RF isolation
- Low RF/LO VSWR
- High 1 dB compression point
- Removable SMA connectors



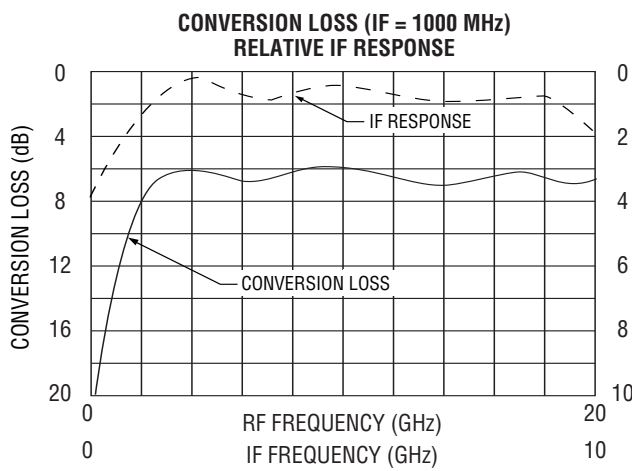
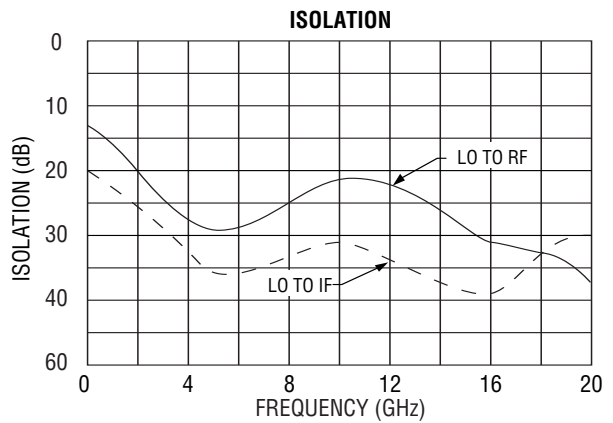
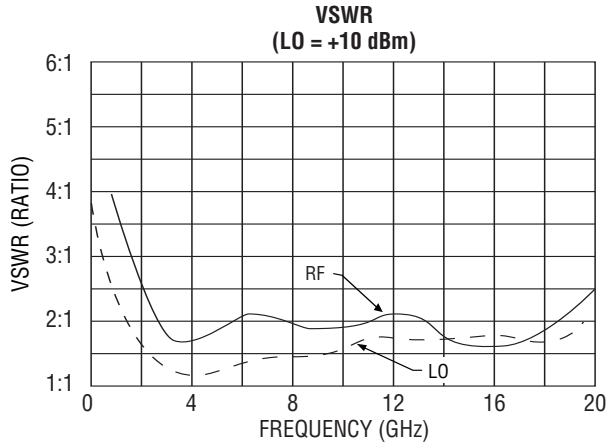
MITEQ's triple-balanced TB0218L mixer series utilizes a dual-quad circuit to provide performance in overlapping RF and IF frequency ranges. In addition to extremely broadband operation, custom-processed diodes allow for minimal variation in conversion loss, extremely high third-order intercept and 1 dB compression points versus input LO power range. Options for various drive level diodes provide numerous combinations of intercept point and LO level. This device performs as an up- or downconverter.

ELECTRICAL SPECIFICATIONS

INPUT PARAMETERS	CONDITION	UNITS	MIN.	TYP.	MAX.
RF frequency range		GHz	2		18
RF VSWR (RF = -10 dBm, LO = +10 dBm)	2 to 18 GHz	Ratio		2.5:1	
LO frequency range		GHz	2		18
LO power range		dBm	+10	+13	+15
LO VSWR (LO = +10 dBm)	2 to 18 GHz	Ratio		2.5:1	
TRANSFER CHARACTERISTICS	CONDITION	UNITS	MIN.	TYP.	MAX.
Conversion loss (IF = 1000 MHz, LO = +10 dBm)	2 to 18 GHz	dB		7.5	9.5
Single-sideband noise figure	2 to 18 GHz	dB			10
LO-to-RF isolation	2 to 18 GHz	dB	20	25	
LO-to-IF isolation	2 to 18 GHz	dB		20	
RF-to-IF isolation	2 to 18 GHz	dB		20	
Input power at 1 dB compression	LO = +10 dBm	dBm	+3		
Input two-tone third-order intercept point	LO = +10 dBm	dBm	+13	+15	
OUTPUT PARAMETERS	CONDITION	UNITS	MIN.	TYP.	MAX.
IF frequency range	3 dB bandwidth	GHz	0.5		8
IF VSWR (IF = -10 dBm, LO = +10 dBm)		Ratio		2:1	



TB0218LW2/A1 TYPICAL TEST DATA



SINGLE-TONE (m) RF x (n) LO RELATIVE SPUR LEVEL (dBc) TO REF (RF = -10 dBm, LO = +13 dBm)

5	> 85	> 85	> 85	> 85	> 85
4	80	> 85	80	> 85	> 85
3	58	63	59	70	63
2	46	52	46	56	47
1	REF	26	12	33	22
	1	2	3	4	5

RF HARMONIC (m) vs LO HARMONIC (n)

MAXIMUM RATINGS

Specification temperature..... +25°C
 Operating temperature -54 to +85°C
 Storage temperature -65 to +125°C

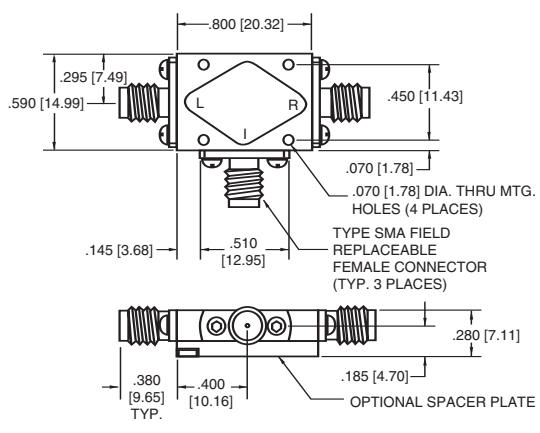
AVAILABLE OPTION

Medium/high dynamic range options
 M (LO = +15 to +20 dBm), (IP³ = +18 dBm typ.)
 H (LO = +20 to +23 dBm), (IP³ = +25 dBm typ.)
 M, H (Conversion loss = 10.5 dB max.)

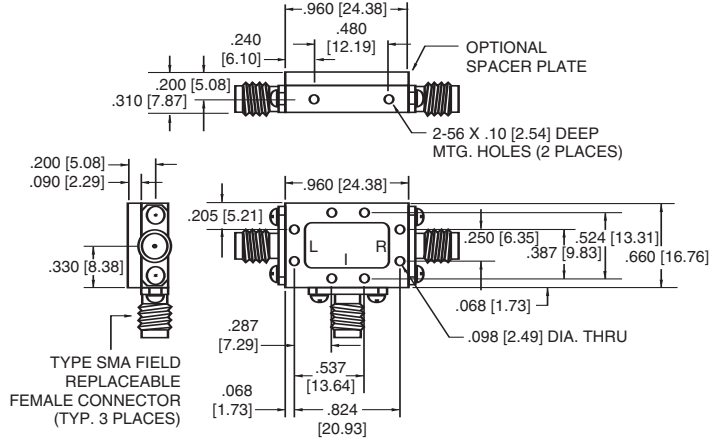
NOTE: Test data supplied at 25°C; conversion loss and LO-to-RF isolation.

OUTLINE DRAWINGS

W2 HOUSING



A1 HOUSING



NOTE: All dimensions shown in brackets [] are in millimeters.

