

T.240+a | Plugs

with flat dipstick, Duroplast

BSP

RoHS

PF

+212 °F
-4 °F

MATERIAL

Phenolic based (PF) Duroplast, black colour, glossy finish.

PACKING RING

NBR synthetic rubber.

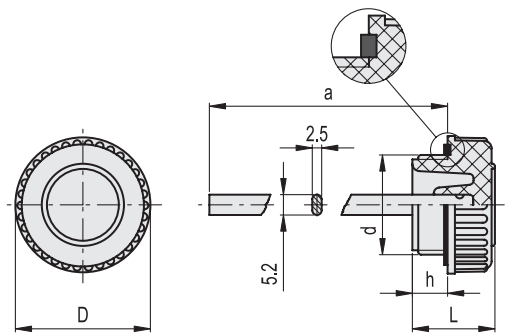
FLAT DIPSTICK

Flat section phosphatised steel.

On request and for sufficient quantities dipstick can be supplied in different lengths and/or complete with MAX-MIN level lines.

MAXIMUM CONTINUOUS WORKING TEMPERATURE

100°C.



BSP

METRIC

Code	Description	d	h	D	L	a	△
57111	T.240-1/4+a	G 1/4	8	22	18	195	37
57211	T.240-3/8+a	G 3/8	9	26	21	195	41
57311	T.240-1/2+a	G 1/2	10	32	24	195	47
57411	T.240-3/4+a	G 3/4	10	39	25	190	54
57611	T.240-1+a	G 1	12	45	28	190	66
57811	T.240-1¼+a	G1 1/4	12	55	31	190	91
57911	T.240-1½+a	G1 1/2	12	61	34	185	111

- 1
- 2
- 3
- 4
- 5
- 6
- 7
- 8
- 9
- 10
- 11
- 12
- 13**
- 14
- 15
- RH
-

Accessories for hydraulic systems