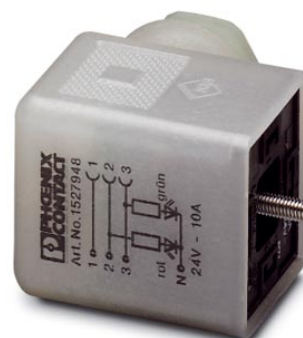



SACC-V-5CON-PG9/AD-2L 24V

Order No.: 1527948



<http://eshop.phoenixcontact.de/phoenix/treeViewClick.do?UID=1527948>

Valve connector, 5-pos., type A, for pressure switch, 2 LEDs, without protective circuit, screw connection, cable screw connection Pg9

| Commercial data | |
|--------------------------|--|
| GTIN (EAN) |  4 017918 980979 |
| sales group | D123 |
| Pack | 1 pcs. |
| Customs tariff | 85369010 |
| Catalog page information | Page 110 (PC-2009) |

Product notes

WEEE/RoHS-compliant since:
03/22/2006



<http://www.download.phoenixcontact.com>
Please note that the data given here has been taken from the online catalog. For comprehensive information and data, please refer to the user documentation. The General Terms and Conditions of Use apply to Internet downloads.

| Technical data | |
|-----------------------|---------|
| General data | |
| Rated current at 40°C | 4 A |
| Rated voltage | 24 V |
| Number of positions | 5 |
| Volume resistance | ≤ 15 mΩ |

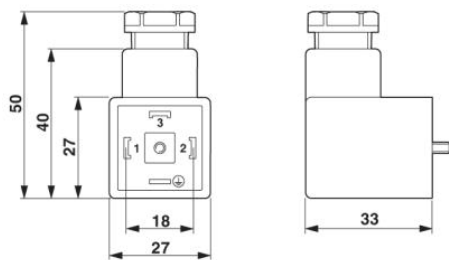
| | |
|---------------------------------|-------------------------------|
| Insulation resistance | ≥ 100 MΩ |
| Ambient temperature (operation) | -25 °C ... 85 °C (valve plug) |

General characteristics

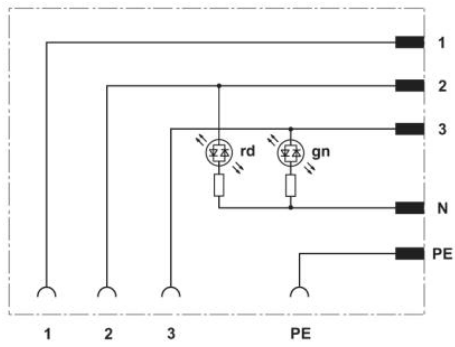
| | |
|--|----------------------|
| Surge voltage category | II |
| Pollution degree | 3 |
| Degree of protection | IP65 |
| Contact material | CuSn |
| Contact surface material | Ni |
| Valve plug contact insert material | PA6 |
| Material, housing, valve plug | PA6 |
| Sealing material | NBR |
| Type of connection | Screw connection |
| Conductor cross section stranded min. | 0.34 mm ² |
| Conductor cross section stranded max. | 1.5 mm ² |
| Conductor cross section AWG/kcmil min. | 22 |
| Conductor cross section AWG/kcmil max | 16 |
| External cable diameter | 6 mm ... 8 mm |
| Status display | 2 LEDs |

Diagrams/Drawings

Dimensioned drawing



Circuit diagram



Address

PHOENIX CONTACT Inc., USA
586 Fulling Mill Road
Middletown, PA 17057, USA
Phone (800) 888-7388
Fax (717) 944-1625
<http://www.phoenixcon.com>



© 2010 Phoenix Contact
Technical modifications reserved;