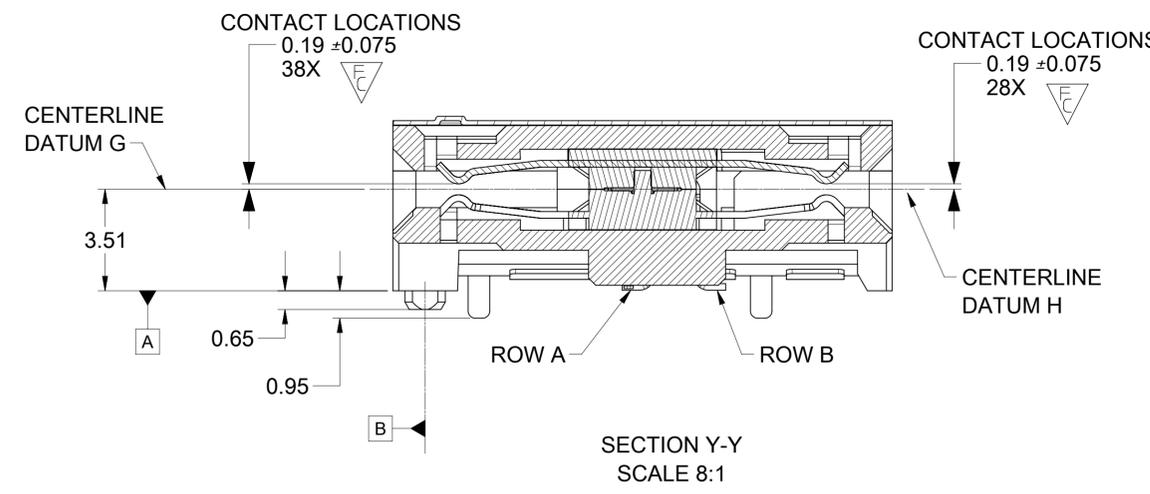
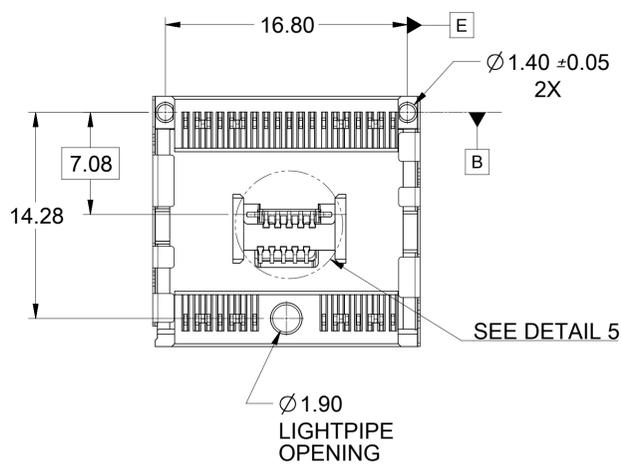
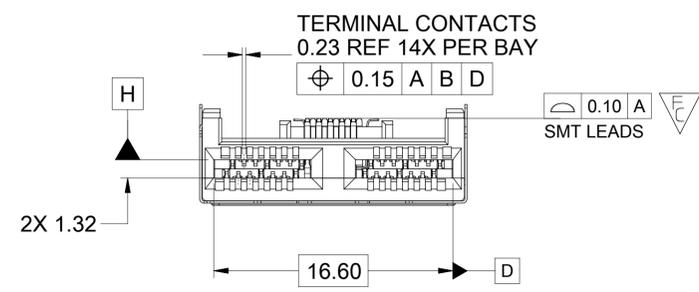


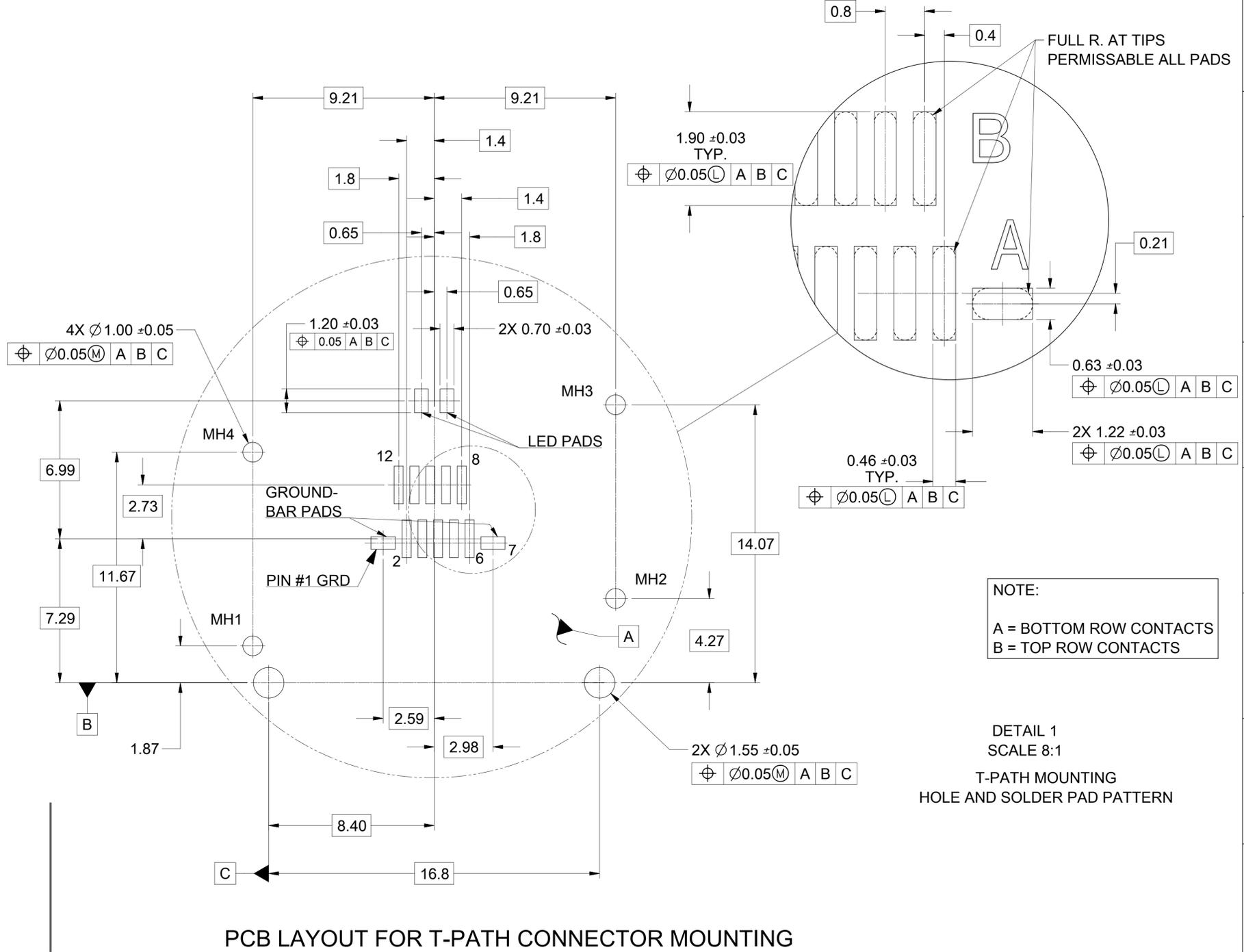
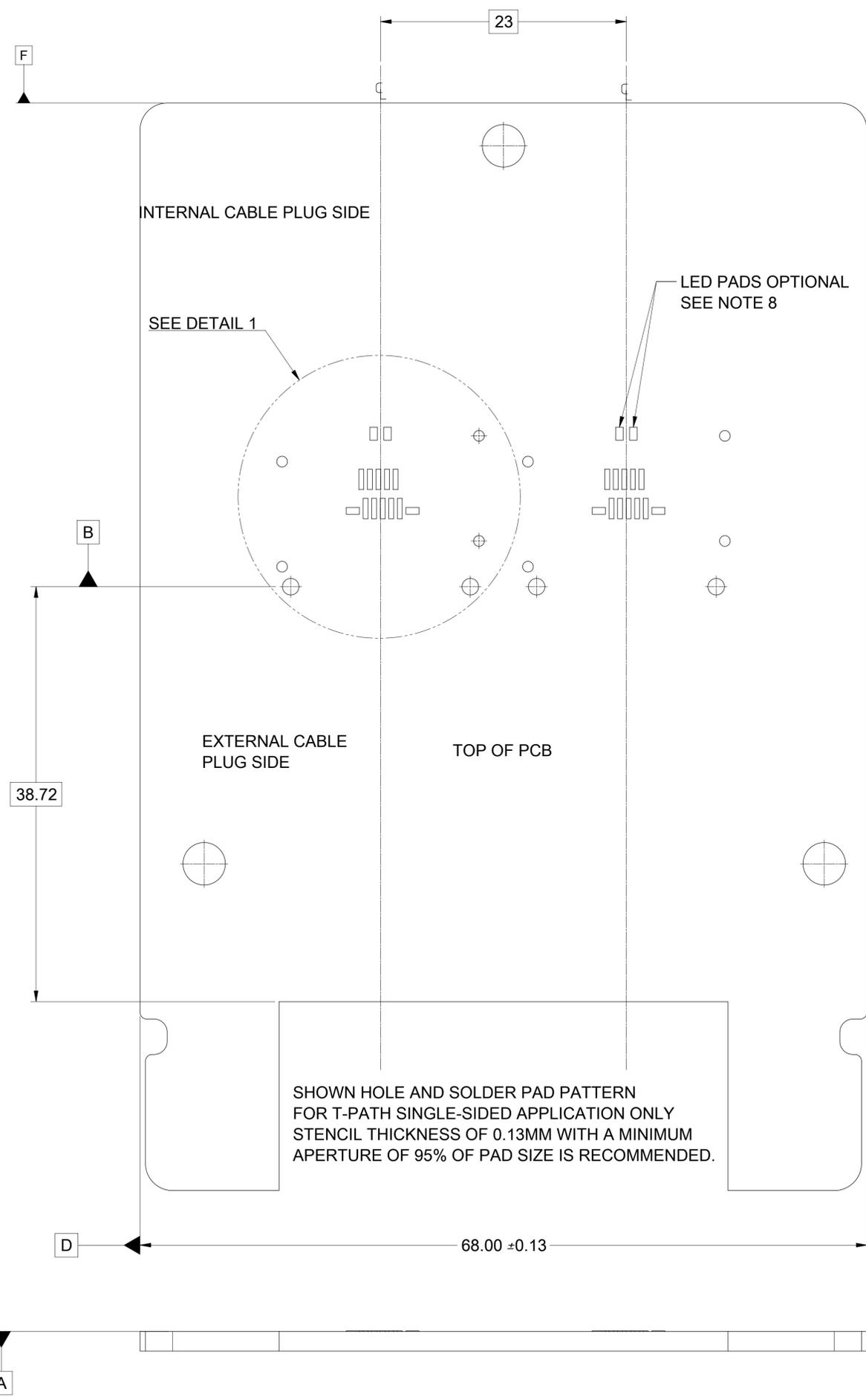
172604-0002
HARDTOP
T-PATH CONNECTOR
ASSEMBLY



- NOTES:
- MATERIAL - HOUSING - HALOGEN FREE GLASS FILLED, LCP UL 94V-0, COLOR: BLACK
SHELLS: 0.15 THICK NICKEL-SILVER ALLOY, UNPLATED
TERMINALS - HIGH PERFORMANCE COPPER ALLOY
 - PLATING - CONTACT AREA - 0.76 μm MIN GOLD OVER 2.54 μm NICKEL
SOLDER AREA - 2.54 -5.09 μm TIN OVER 2.54 μm MIN NICKEL
 - DATE CODE: 4 DIGIT (3 DIGIT DAY, 1 DIGIT YEAR)
 - CONFORMS TO PRODUCT SPECIFICATION: PS-172604-001
 - CONNECTOR ASSEMBLY IS RoHS AND LOW HALOGEN COMPLIANT
 - DIMENSIONS AND TOLERANCES CONFORM TO AMSE Y14.5 2009
 - LED IS OPTIONAL. RECOMMENDED LED PACKAGE: 1608/0603 0.4mm HIGH MAX.
 - PACKAGING: TAPE AND REEL PER PK-172604-9001.
 - CONNECTOR TO BE USED IN CONJUNCTION WITH EMI CAGES SHOWN ON DRAWING SD-172604-2100
 - IFP CABLE PLUG TO HAVE 1.0mm THICK PCB.



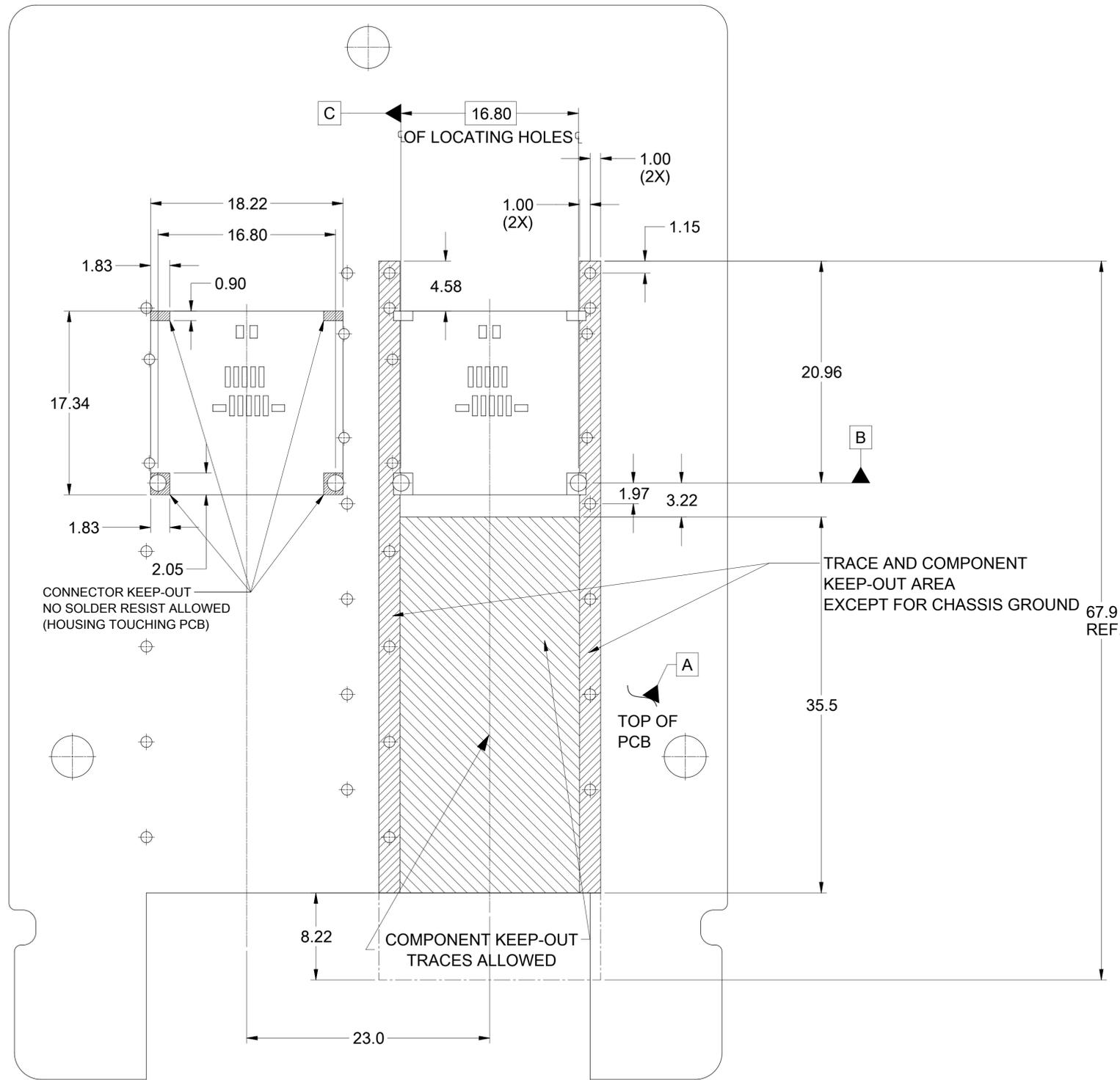
QUALITY SYMBOLS	THIS DRAWING CONTAINS INFORMATION THAT IS PROPRIETARY TO MOLEX ELECTRONIC TECHNOLOGIES, LLC AND SHOULD NOT BE USED WITHOUT WRITTEN PERMISSION			
	REV TAIL POSITIONS	GENERAL TOLERANCES (UNLESS SPECIFIED)	DIMENSION UNITS	SCALE
▽ = 0	2017/09/05	MM ONLY	MM ONLY	4:1
▽ = 3	2018/10/01	ANGULAR TOL ± 0.5 °	DRWN BY	DATE
▽ = 0	2018/10/04	4 PLACES ±	MWOLFE	2016/07/01
▽ = 0		3 PLACES ±	CHKD BY	DATE
▽ = 0		2 PLACES ± 0.13	APPR BY	DATE
▽ = 0		1 PLACE ± 0.25	SMILLER	2017/05/19
▽ = 0		0 PLACES ±	DRAWING SIZE	THIRD ANGLE PROJECTION
▽ = 0		DRAFT WHERE APPLICABLE MUST REMAIN WITHIN DIMENSIONS	D	
REV TAIL POSITIONS			PRODUCT CUSTOMER DRAWING	
EC NO: 605274	DRWN: ABN	CHKD: MSTRACK	SERIES	MATERIAL NUMBER
REV APPR: RNELSON			172604	172604-0002
			DOCUMENT NUMBER	DOC TYPE
			SD-172604-0002	PSD
			DOC PART	SHEET NUMBER
			001	1 OF 3



PCB LAYOUT FOR T-PATH CONNECTOR MOUNTING

FRONT OF CONNECTOR (PLUG MODULE SIDE)

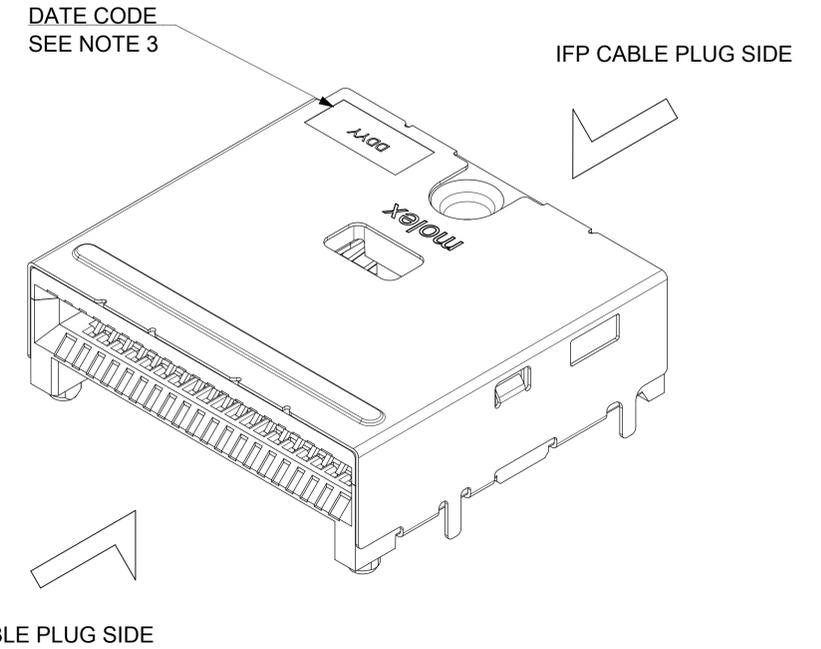
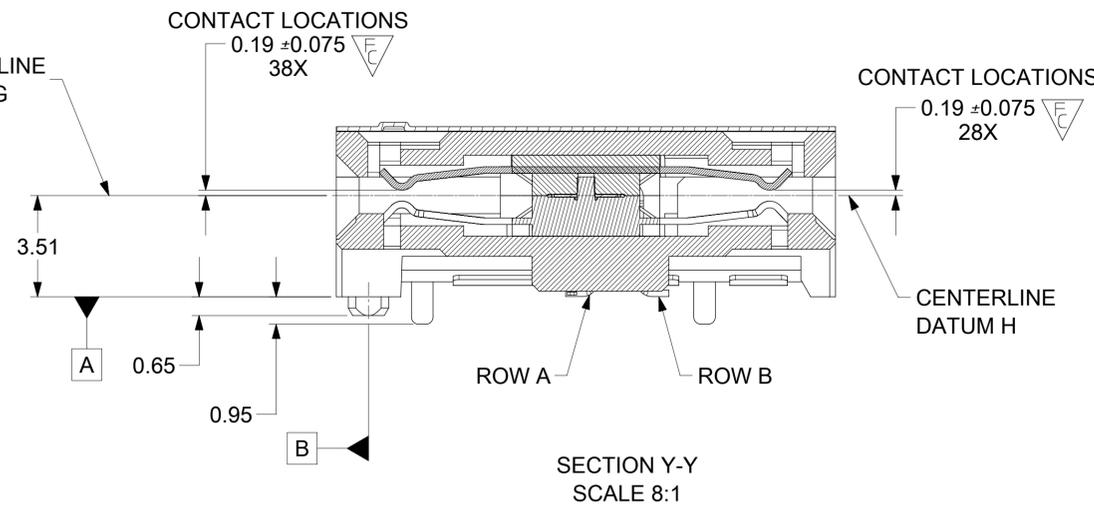
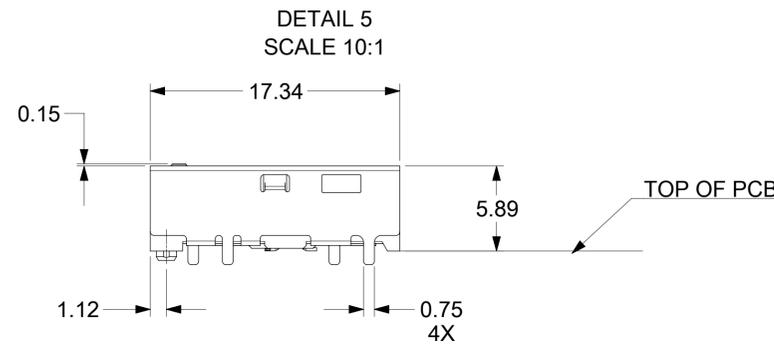
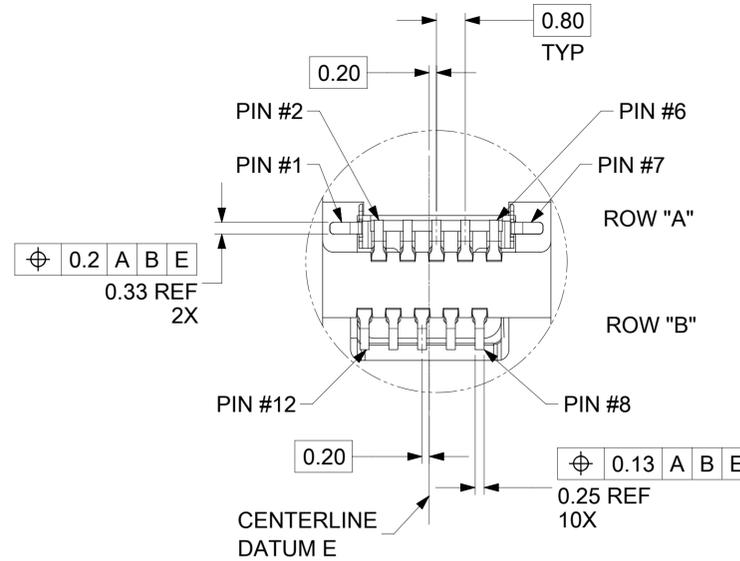
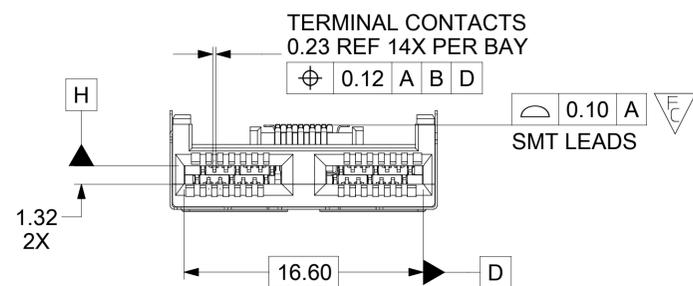
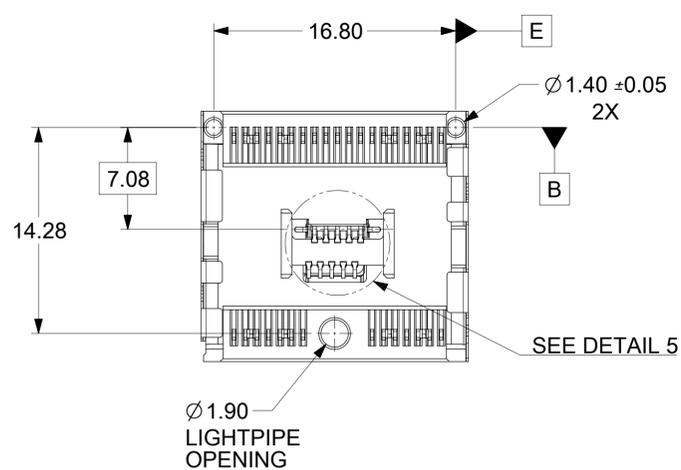
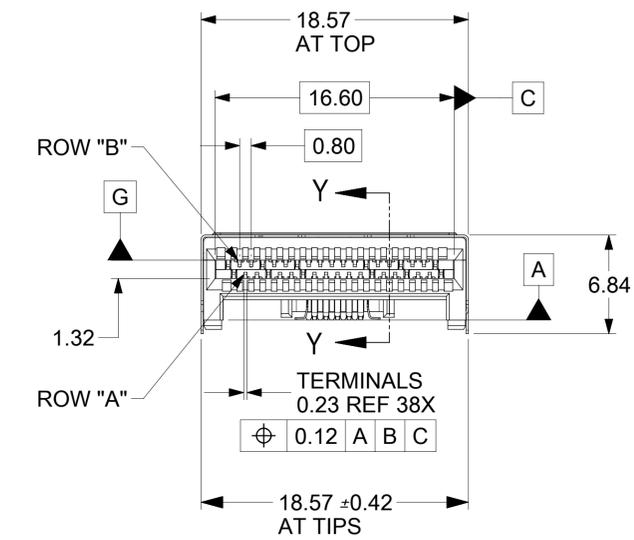
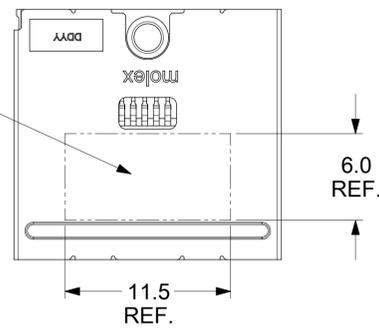
QUALITY SYMBOLS ▽ = 0 ▽ = 0 ▽ = 0 ▽ = 0 ▽ = 0 ▽ = 0 ▽ = 0 ▽ = 0 ▽ = 0 ▽ = 0 ▽ = 0	THIS DRAWING CONTAINS INFORMATION THAT IS PROPRIETARY TO MOLEX ELECTRONIC TECHNOLOGIES, LLC AND SHOULD NOT BE USED WITHOUT WRITTEN PERMISSION		DIMENSION UNITS MM ONLY	SCALE 4:1	
	GENERAL TOLERANCES (UNLESS SPECIFIED) ANGULAR TOL ± 0.5 ° 4 PLACES ± 3 PLACES ± 2 PLACES ± 0.13 1 PLACE ± 0.25 0 PLACES ± DRAFT WHERE APPLICABLE MUST REMAIN WITHIN DIMENSIONS	DRWN BY: MWOLFE DATE: 2016/07/01	CHKD BY: MWOLFE DATE: 2016/07/01	APPR BY: SMILLER DATE: 2017/05/19	
EC NO: 605274 DRWN: ABN CHKD: MSTRACK REV APPR: RNELSON	REV TAIL POSITIONS 2017/09/05 2018/10/01 2018/10/04	DRAWING SIZE: D THIRD ANGLE PROJECTION	DOCUMENT NUMBER: SD-172604-0002 DOC TYPE: PSD DOC PART: 001 SHEET NUMBER: 2 OF 3	PRODUCT CUSTOMER DRAWING	T-PATH CONNECTOR HARDTOP ASSEMBLY



**T-PATH CONNECTOR AND EMI CAGE
KEEP-OUT ZONES**

QUALITY SYMBOLS 	THIS DRAWING CONTAINS INFORMATION THAT IS PROPRIETARY TO MOLEX ELECTRONIC TECHNOLOGIES, LLC AND SHOULD NOT BE USED WITHOUT WRITTEN PERMISSION									
	GENERAL TOLERANCES (UNLESS SPECIFIED) DIMENSION UNITS: MM ONLY SCALE: 4:1				T-PATH CONNECTOR HARDTOP ASSEMBLY					
	DRWN BY: MWOLFE DATE: 2016/07/01									
	ANGULAR TOL $\pm 0.5^\circ$ 4 PLACES \pm 3 PLACES \pm 2 PLACES ± 0.13 1 PLACE ± 0.25 0 PLACES \pm		CHKD BY: _____ DATE: _____		PRODUCT CUSTOMER DRAWING					
	DRAFT WHERE APPLICABLE MUST REMAIN WITHIN DIMENSIONS		APPR BY: SMILLER DATE: 2017/05/19							
	REV TAIL POSITIONS EC NO: 605274 DRWN: ABN CHKD: MSTRACK REV APPR: RNELSON		DRAWING SIZE: D THIRD ANGLE PROJECTION		SERIES: 172604 MATERIAL NUMBER: 172604-0002 CUSTOMER: GENERAL					
	THIS DRAWING IS THE PROPERTY OF MOLEX ELECTRONIC TECHNOLOGIES, LLC. IT IS TO BE USED ONLY FOR THE PROJECT AND QUANTITY SPECIFIED IN THE ORDER. IT IS NOT TO BE REPRODUCED OR TRANSMITTED IN ANY FORM OR BY ANY MEANS, ELECTRONIC OR MECHANICAL, INCLUDING PHOTOCOPYING, RECORDING, OR BY ANY INFORMATION STORAGE AND RETRIEVAL SYSTEM, WITHOUT THE WRITTEN PERMISSION OF MOLEX ELECTRONIC TECHNOLOGIES, LLC.		DOCUMENT NUMBER: SD-172604-0002 DOC TYPE: PSD DOC PART: 001 SHEET NUMBER: 3 OF 3							

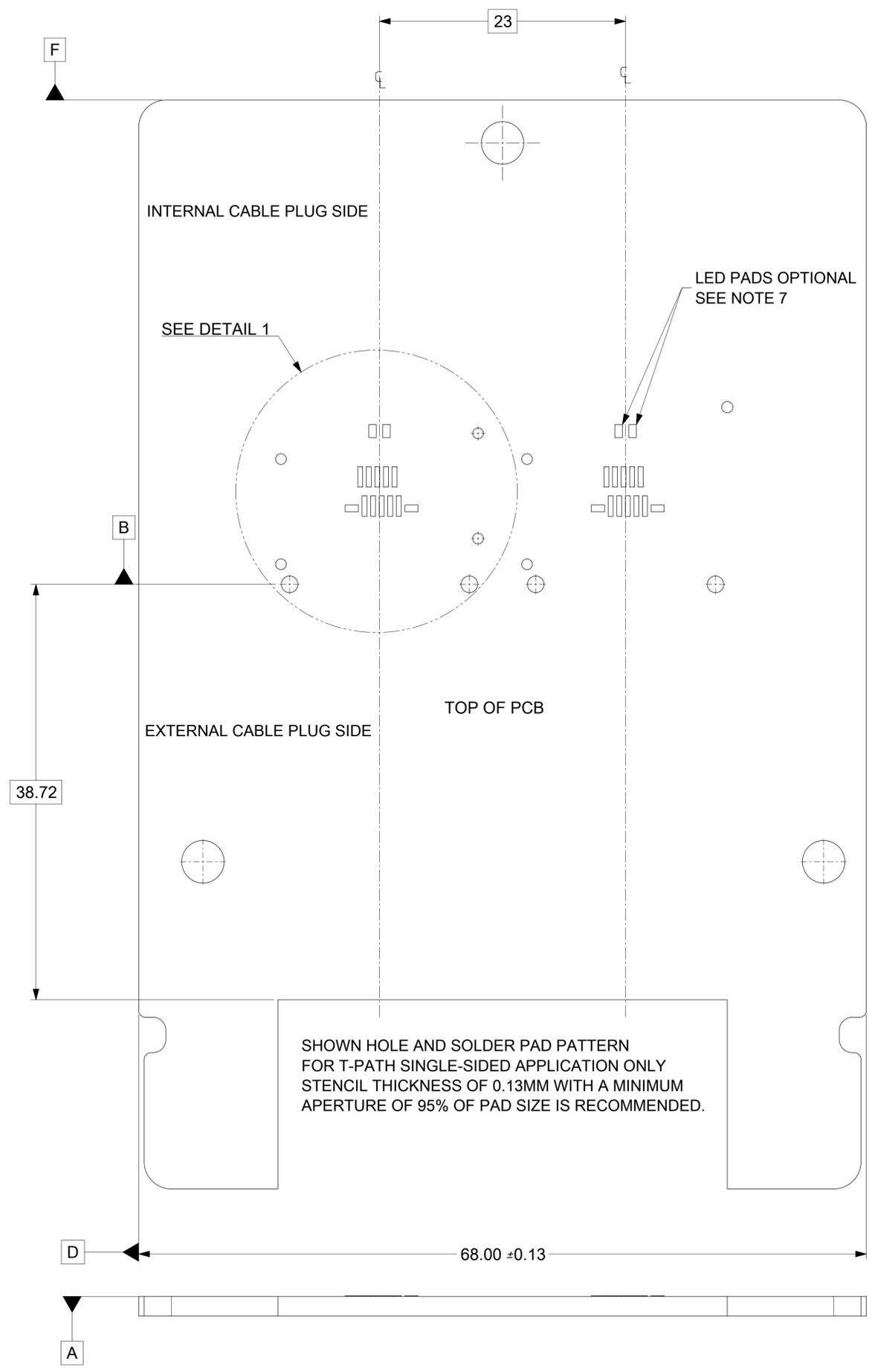
VACUUM PICK-UP AREA



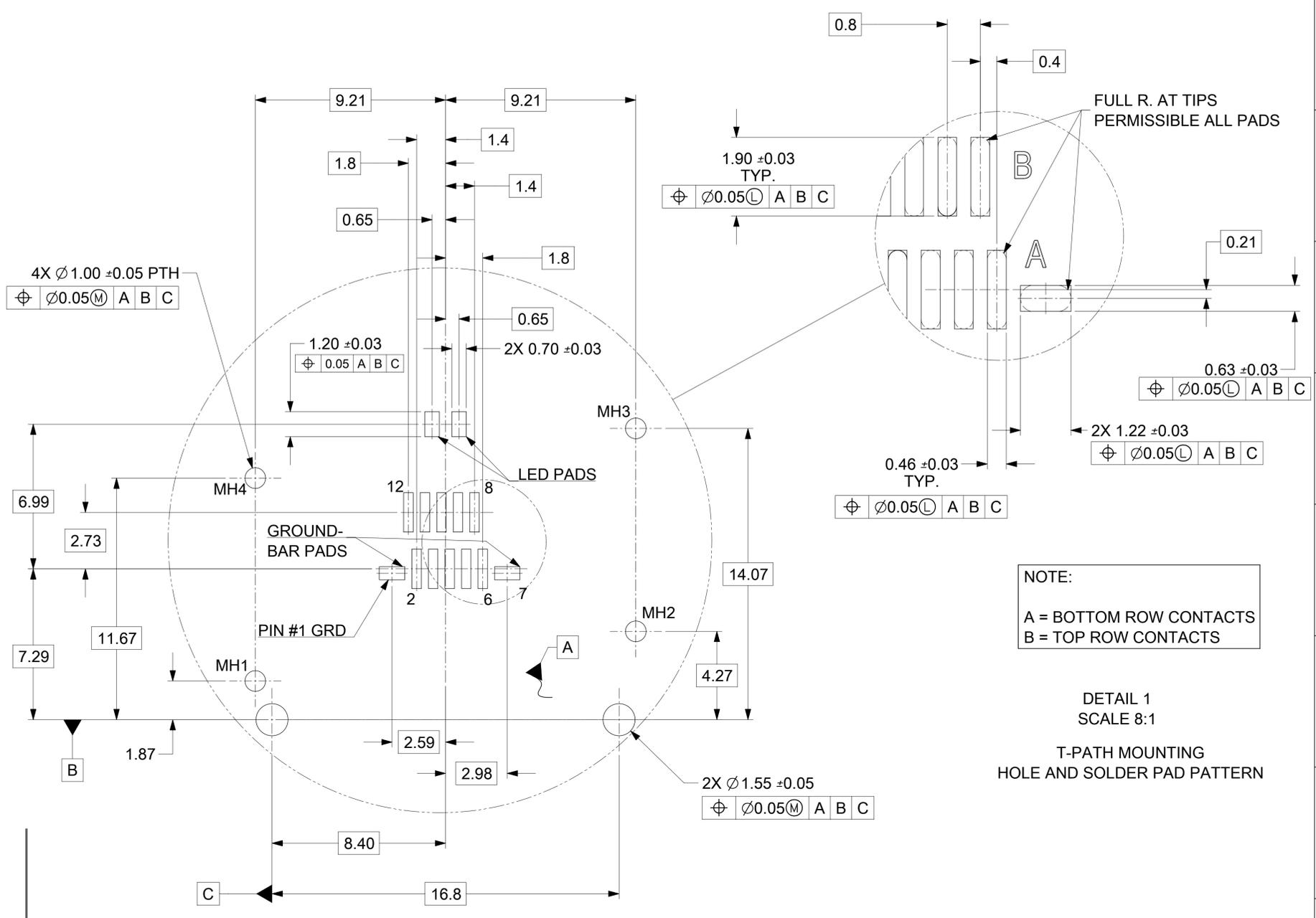
NOTES:

- MATERIAL - HOUSING - HALOGEN FREE GLASS FILLED, LCP
UL 94V-0, COLOR: BLACK
SHELLS: 0.15 THICK NICKEL-SILVER ALLOY, UNPLATED
TERMINALS - HIGH PERFORMANCE COPPER ALLOY
- PLATING - CONTACT AREA - 0.76 μm MIN GOLD OVER 2.54 μm NICKEL
SOLDER AREA - 2.54 -5.09 μm TIN OVER 2.54 μm MIN NICKEL
- DATE CODE: 4 DIGIT (3 DIGIT DAY, 1 DIGIT YEAR)
- CONFORMS TO PRODUCT SPECIFICATION: PS-172604-0001
- CONNECTOR ASSEMBLY IS RoHS AND LOW HALOGEN COMPLIANT
- DIMENSIONS AND TOLERANCES CONFORM TO AMSE Y14.5 2009
- LED IS OPTIONAL. RECOMMENDED LED PACKAGE: 1608/0603 0.4mm HIGH MAX.
- PACKAGING: TAPE AND REEL. PER PK-172604-9001.
- CONNECTOR TO BE USED IN CONJUNCTION WITH EMI CAGES SHOWN ON DRAWING SD-172604-2100
- IFP CABLE PLUG TO HAVE 1.0mm THICK PCB.

QUALITY SYMBOLS		THIS DRAWING CONTAINS INFORMATION THAT IS PROPRIETARY TO MOLEX ELECTRONIC TECHNOLOGIES, LLC AND SHOULD NOT BE USED WITHOUT WRITTEN PERMISSION		GENERAL TOLERANCES (UNLESS SPECIFIED)		DIMENSION UNITS		SCALE				
⊕ = 0	∇ = 3	∇ = 0	∇ = 0	∇ = 0	∇ = 0	mm	4:1	DATE				
∇ = 0	∇ = 0	∇ = 0	∇ = 0	∇ = 0	∇ = 0	ANGULAR TOL ± 0.5 °		DATE		PRODUCT CUSTOMER DRAWING		
∇ = 0	∇ = 0	∇ = 0	∇ = 0	∇ = 0	∇ = 0	4 PLACES ±		DATE		SERIES		
∇ = 0	∇ = 0	∇ = 0	∇ = 0	∇ = 0	∇ = 0	3 PLACES ±		DATE		MATERIAL NUMBER		
∇ = 0	∇ = 0	∇ = 0	∇ = 0	∇ = 0	∇ = 0	2 PLACES ± 0.13		DATE		CUSTOMER		
∇ = 0	∇ = 0	∇ = 0	∇ = 0	∇ = 0	∇ = 0	1 PLACE ± 0.25		DATE		GENERAL		
∇ = 0	∇ = 0	∇ = 0	∇ = 0	∇ = 0	∇ = 0	0 PLACES ±		DATE		DOCUMENT NUMBER		
∇ = 0	∇ = 0	∇ = 0	∇ = 0	∇ = 0	∇ = 0	DRAFT WHERE APPLICABLE MUST REMAIN WITHIN DIMENSIONS		DATE		DOC TYPE		
∇ = 0	∇ = 0	∇ = 0	∇ = 0	∇ = 0	∇ = 0	D		THIRD ANGLE PROJECTION		DOC PART		
∇ = 0	∇ = 0	∇ = 0	∇ = 0	∇ = 0	∇ = 0	A1		DRAWING SIZE		SHEET NUMBER		
∇ = 0	∇ = 0	∇ = 0	∇ = 0	∇ = 0	∇ = 0	REV TAIL POSITIONS		DRAWING SIZE		1 OF 3		
∇ = 0	∇ = 0	∇ = 0	∇ = 0	∇ = 0	∇ = 0	EC NO: 170877		DRAWING SIZE		PSD		
∇ = 0	∇ = 0	∇ = 0	∇ = 0	∇ = 0	∇ = 0	DRWN: ABN		DRAWING SIZE		001		
∇ = 0	∇ = 0	∇ = 0	∇ = 0	∇ = 0	∇ = 0	CHKD: SVANG01		DRAWING SIZE		172604		
∇ = 0	∇ = 0	∇ = 0	∇ = 0	∇ = 0	∇ = 0	REV APPR: SMILLER		DRAWING SIZE		172604-0003		
∇ = 0	∇ = 0	∇ = 0	∇ = 0	∇ = 0	∇ = 0	2018/01/09		DRAWING SIZE		172604-0003		
∇ = 0	∇ = 0	∇ = 0	∇ = 0	∇ = 0	∇ = 0	2018/01/15		DRAWING SIZE		PSD		
∇ = 0	∇ = 0	∇ = 0	∇ = 0	∇ = 0	∇ = 0	2018/01/24		DRAWING SIZE		001		
∇ = 0	∇ = 0	∇ = 0	∇ = 0	∇ = 0	∇ = 0	2018/01/24		DRAWING SIZE		1 OF 3		



SHOWN HOLE AND SOLDER PAD PATTERN FOR T-PATH SINGLE-SIDED APPLICATION ONLY
STENCIL THICKNESS OF 0.13MM WITH A MINIMUM APERTURE OF 95% OF PAD SIZE IS RECOMMENDED.



NOTE:
A = BOTTOM ROW CONTACTS
B = TOP ROW CONTACTS

DETAIL 1
SCALE 8:1
T-PATH MOUNTING
HOLE AND SOLDER PAD PATTERN

PCB LAYOUT FOR T-PATH CONNECTOR MOUNTING

FRONT OF CONNECTOR
(PLUG MODULE SIDE)

QUALITY SYMBOLS ▽ = 0 ▽ = 0 ▽ = 0 ▽ = 0 ▽ = 0 ▽ = 0 ▽ = 0 ▽ = 0 ▽ = 0 ▽ = 0	THIS DRAWING CONTAINS INFORMATION THAT IS PROPRIETARY TO MOLEX ELECTRONIC TECHNOLOGIES, LLC AND SHOULD NOT BE USED WITHOUT WRITTEN PERMISSION		DIMENSION UNITS mm	SCALE 4:1	
	GENERAL TOLERANCES (UNLESS SPECIFIED) ANGULAR TOL ± 0.5 ° 4 PLACES ± 3 PLACES ± 2 PLACES ± 0.13 1 PLACE ± 0.25 0 PLACES ± DRAFT WHERE APPLICABLE MUST REMAIN WITHIN DIMENSIONS	DRWN BY MWOLFE	DATE 2017/05/12	CHKD BY BBARKER	
REV TAIL POSITIONS EC NO: 170877 DRWN: ABN CHKD: SVANG01 REV APPR: SMILLER	APPR BY SMILLER	DATE 2017/05/19	DRAWING SIZE D	THIRD ANGLE PROJECTION	SERIES 172604
RELEASE STATUS P1	RELEASE DATE 2018/01/24	00:46:26	MATERIAL NUMBER 172604-0003	CUSTOMER GENERAL	DOCUMENT NUMBER SD-172604-0003
			DOC TYPE PSD	DOC PART 001	SHEET NUMBER 2 OF 3

