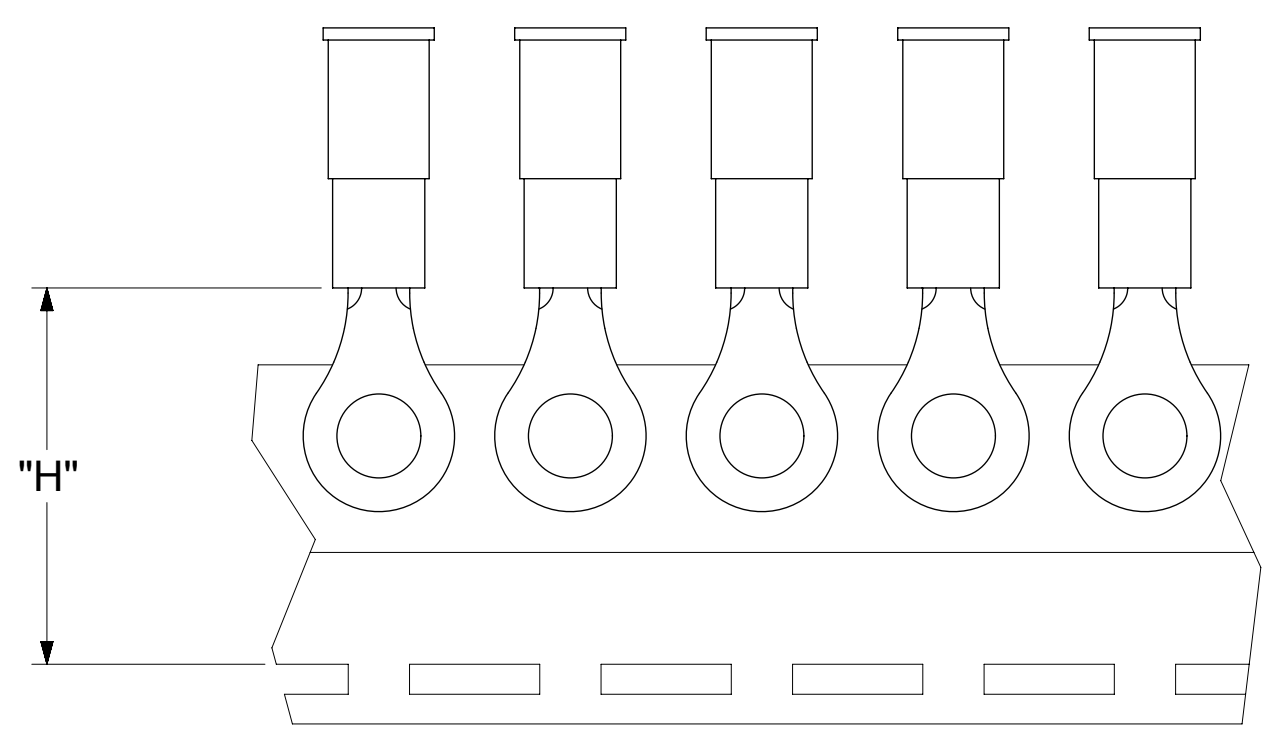
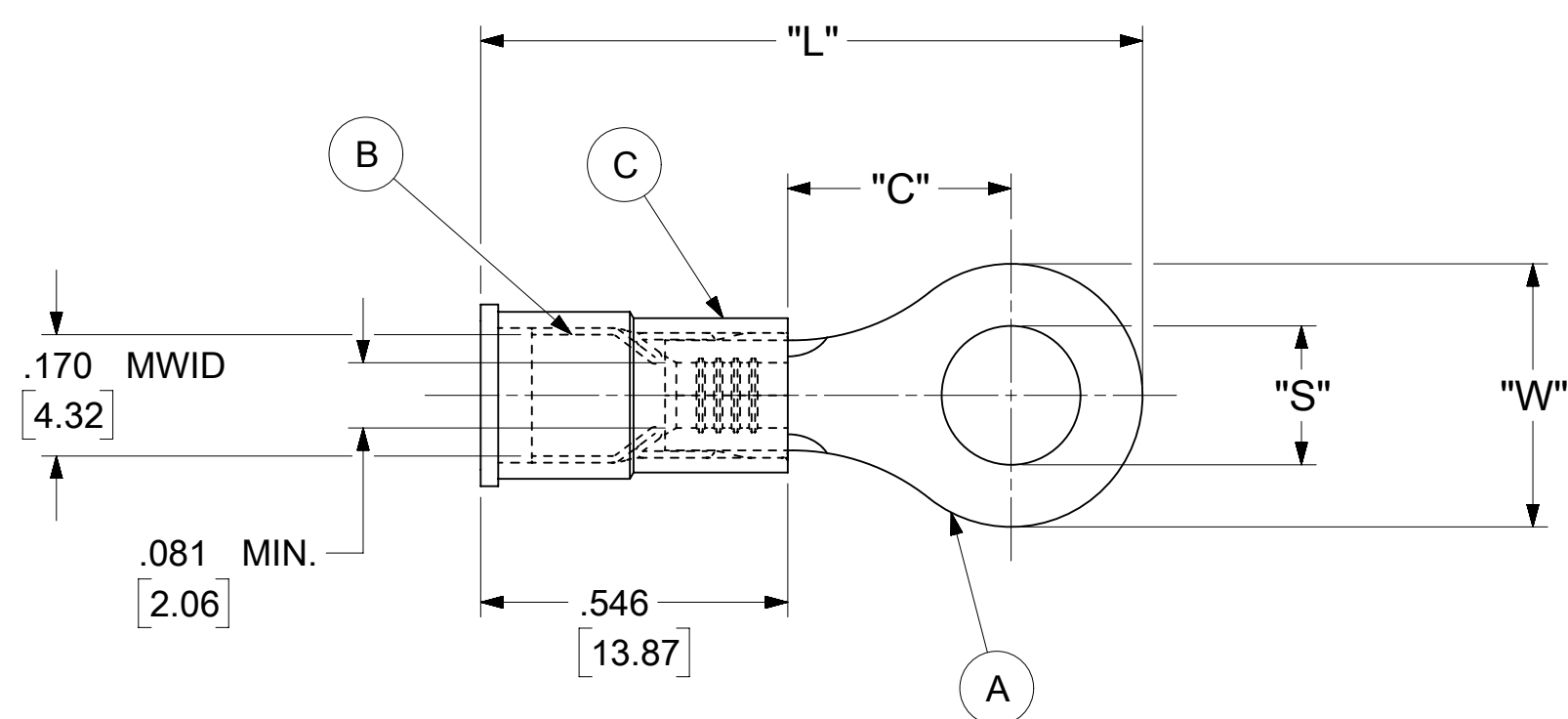


LOOSE PIECE		TAPE MOUNTED		SPECIFICATIONS						
MATERIAL NUMBER	ENGINEERING NUMBER	MATERIAL NUMBER	ENGINEERING NUMBER	STUD SIZE	"S" ±.005 [0.13]	"W" ±.010 [0.25]	"C" MIN.	"L" MAX.	"H"	STOCK ±.001 [0.025] THICKNESS
190570046	B-518-38	---	---	38	.390 [9.91]	.534 [13.56]	.554 [14.07]	1.407 [35.74]	---	.031 [0.79]
190570048	B-518-56	---	---	56	.328 [8.33]					
190570052	B-523-04	---	---	4	.119 [3.02]	.250 [6.35]	.209 [5.31]	.931 [23.65]	.980 [24.89]	.031 [0.79]
190570054	B-523-06	190570055	B-523-06T	6	.146 [3.71]					
190570056	B-523-08	190570057	B-523-08T	8	.173 [4.39]					
190570060	B-525-14	---	---	14	.265 [6.73]	.467 [11.86]	.388 [9.86]	1.208 [30.68]	---	.031 [0.79]
190570062	B-525-56	---	---	56	.328 [8.33]					
190570086	B-537-04	---	---	4	.119 [3.02]	.312 [7.92]	.285 [7.24]	1.022 [25.96]	---	.031 [0.79]
190570088	B-537-06	---	---	6	.146 [3.71]					
190570090	B-537-08	---	---	8	.173 [4.39]					
190570093	B-537-10	---	---	10	.198 [5.03]					
190570100	B-539-08	---	---	8	.173 [4.39]	.342 [8.69]	.310 [7.87]	1.067 [27.10]	---	.031 [0.79]
190570102	B-539-10	---	---	10	.198 [5.03]					



PARTS ON TAPE

- NOTES:
- MATERIAL:
    - (A). RING TONGUE TERMINAL: COPPER  
PLATING: ELECTRO-TIN (.0003 MIN.)
    - (B). TIN-PLATED BRASS FUNNEL FERRULE
    - (C). INSULATION: NYLON (BLUE)
  - MWID: MAXIMUM WIRE INSULATION DIAMETER
  - WIRE SIZE: 16 -14 AWG  
1.0 -2.5 MM<sup>2</sup>
  - ALL DIMENSIONS IN INCHES/[MM].
  - PARTS ARE ROHS COMPLIANT.
  - DIMS. SHOWN ARE FOR REFERENCE ONLY.

THIS DRAWING CONTAINS INFORMATION THAT IS PROPRIETARY TO MOLEX ELECTRONIC TECHNOLOGIES, LLC AND SHOULD NOT BE USED WITHOUT WRITTEN PERMISSION										
SYMBOLS		DIMENSION UNITS		SCALE		CURRENT REV DESC: MIGRATION TO ECTR/NX				
∇ = 0	INCH/MM	NTS								
∇ = 0	GENERAL TOLERANCES (UNLESS SPECIFIED)									
∇ = 0		MM	INCH							
S = 0	4 PLACES	±	---	±	---	EC NO: 620952				
∇ = 0	3 PLACES	±	---	±	.005	DRWN: ABENJAMINLW 2019/06/14				
∇ = 0	2 PLACES	±	0.13	±	.01	CHK'D: GROJAS01 2019/07/19				
∇ = 0	1 PLACE	±	0.25	±	---	APPR: JMACNEIL 2019/08/05				
∇ = 0	0 PLACES	±	---	±	---	INITIAL REVISION:				
∇ = 0	ANGULAR TOL	±	0.5 °			DRWN: KO 1984/11/12				
∇ = 0	DRAFT WHERE APPLICABLE MUST REMAIN WITHIN DIMENSIONS		THIRD ANGLE PROJECTION		DRAWING		SERIES			
∇ = 0					C-SIZE		19057			
DOCUMENT STATUS		P1	RELEASE DATE	2019/08/05	20:29:45	DOCUMENT NUMBER		DOC TYPE	DOC PART	REVISION
						190570042		PSD	000	A
MATERIAL NUMBER		CUSTOMER		SHEET NUMBER		SEE TABLE		GENERAL MARKET		1 OF 1



RING TONGUE TERMINAL  
AVIKRIMP 500-SERIES

PRODUCT CUSTOMER DRAWING

NOTES:

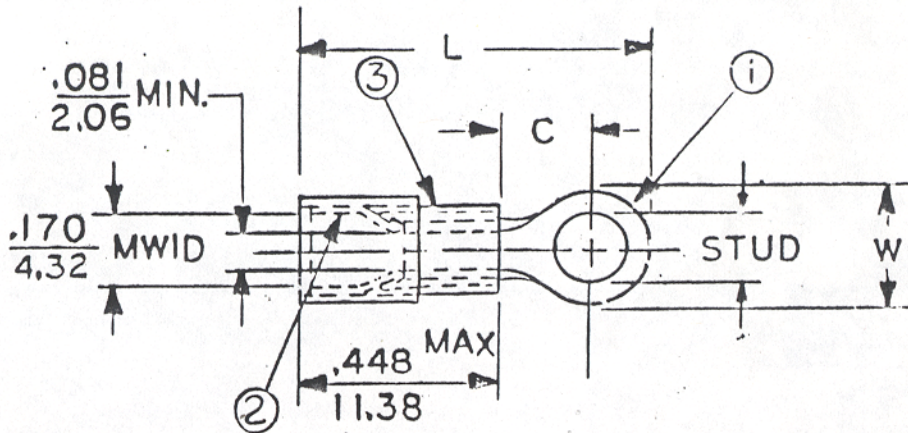
- ① MAT'L: COPPER (STOCK TKN.  $\frac{.031}{.79}$  )  $\pm .001$
- PLATING: ELECTRO TIN (.0003 MIN)
- ② TIN-PLATED BRASS FUNNEL FERRULE
- ③ NYLON INSULATION (COLOR CODED BLUE)

FILE NO. B-CD-501-01

STUD SIZES: ( $\pm .005$ )

- 02 = .094
- 04 = .119
- 06 = .146
- 08 = .173
- 10 = .198
- 14 = .265
- 56 = .328
- 38 = .390

"UL" LISTING # E32244  
 "CSA" LISTING # 18689



WIRE SIZE: 16-14 AWG  
 1.0-2.5 MM<sup>2</sup>

ALL DIMENSIONS =  $\frac{\text{INCHES}}{\text{MM}}$  (MWID) = DENOTES MAXIMUM WIRE INSULATION DIAMETER

PART NUMBER	"W" $\pm .010$	"C" MIN.	"L" MAX.	AVAILABLE STUD SIZES
B-523-	$\frac{.250}{6.35}$	$\frac{.209}{5.31}$	$\frac{.833}{21.16}$	04, 06, 08

DIMENSIONAL TOLERANCES UNLESS OTHERWISE SPECIFIED			REFERENCE	SCALE: NTS	DATE	TITLE: RING TONGUE TERMINAL AVIKRIMP 500-SERIES	
FRAC.	DEC.	ANG.		DRWN. BY: <i>fo</i>	11-12-84		
$\pm$	$\pm$	$\pm$		CHKD. BY: <i>6Z</i>	11-30-84		
				APPRD. BY:		DWG. NO. <b>A</b>	CUSTOMER DWG