

Product data sheet

Characteristics

9050JCK60V14

Timing Relay, Type JCK, plug In, on delay, programmable, 0.5 second to 999 hours, 10A, 240 VAC, 24 VAC/DC



Main

Product range	9050JCK
Product type	Timer
Timing mode	On-delay
Timing range	1...999 h 0.05...9.99 s 1...999 min 0.1...99.9 s 0.1...99.9 h 1...999 s
Supply voltage	24 V AC

Complementary

Power consumption	3 VA
Current rating	10 A
Switch function	DPDT
Contact composition	2 NO + 2 NC
Contact material	Silver nickel
Maximum switching voltage	240 V AC
Mounting type	Socket
Number of pins	8
Shape of pins	Tubular
For use with	8501NR52 8501NR51

Environment

Certifications	UL Listed UL Recognized CE
Ambient temperature range - operational	-18...150 °F (-28...66 °C)
Height	2.36 in (60 mm)
Width	1.73 in (44 mm)
Depth	3.58 in (91 mm)

Ordering and shipping details

Category	21652 - 9050 JCK60, 70 PROGRAMMABLE TIMERS
Discount Schedule	CP2
GTIN	785901053873
Nbr. of units in pkg.	1
Package weight(Lbs)	4.32 oz (122.47 g)
Returnability	Yes
Country of origin	US

The information provided in this documentation contains general descriptions and/or technical characteristics of the performance of the products contained herein. This documentation is not intended as a substitute for and is not to be used for determining suitability or reliability of these products for specific user applications. It is the duty of any such user or integrator to perform the appropriate and complete risk analysis, evaluation and testing of the products with respect to the relevant specific application or use thereof. Neither Schneider Electric Industries SAS nor any of its affiliates or subsidiaries shall be responsible or liable for misuse of the information contained herein.

Packing Units

Unit Type of Package 1	PCE
Package 1 Height	2.60 in (6.604 cm)
Package 1 width	1.90 in (4.826 cm)
Package 1 Length	4.30 in (10.922 cm)
Unit Type of Package 2	CAR
Number of Units in Package 2	10
Package 2 Weight	3.00 lb(US) (1.361 kg)
Package 2 Height	4.50 in (11.43 cm)
Package 2 width	10.00 in (25.4 cm)
Package 2 Length	11.00 in (27.94 cm)

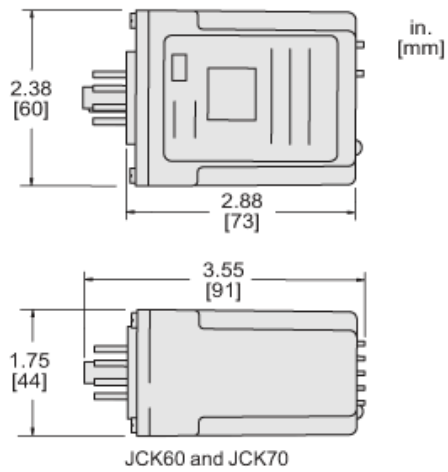
Offer Sustainability

Sustainable offer status	Green Premium product
REACH Regulation	REACH Declaration
REACH free of SVHC	Yes
EU RoHS Directive	Pro-active compliance (Product out of EU RoHS legal scope) EU RoHS Declaration
Toxic heavy metal free	Yes
Mercury free	Yes
RoHS exemption information	Yes
China RoHS Regulation	China RoHS Declaration
Environmental Disclosure	Product Environmental Profile
Circularity Profile	End Of Life Information

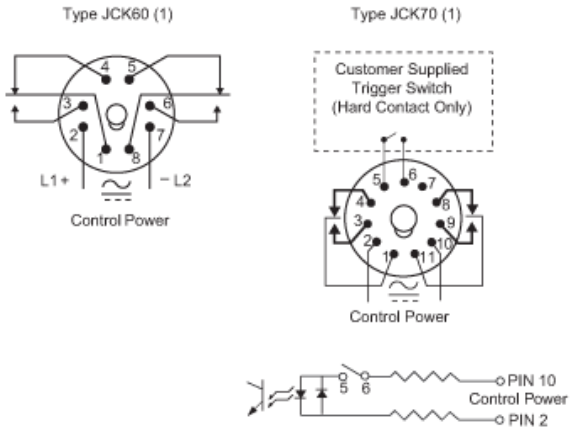
Contractual warranty

Warranty	18 months
----------	-----------

Approximate Dimensions



Connections and Wiring Diagrams



(1) Do not apply DC voltage to the 240 Vac timers (voltage code V24).