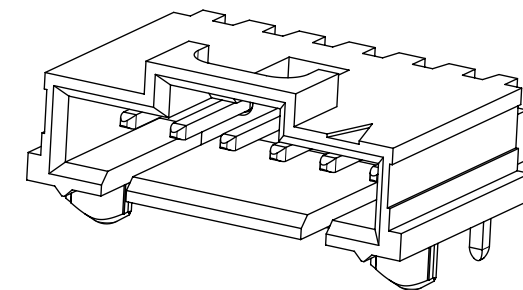
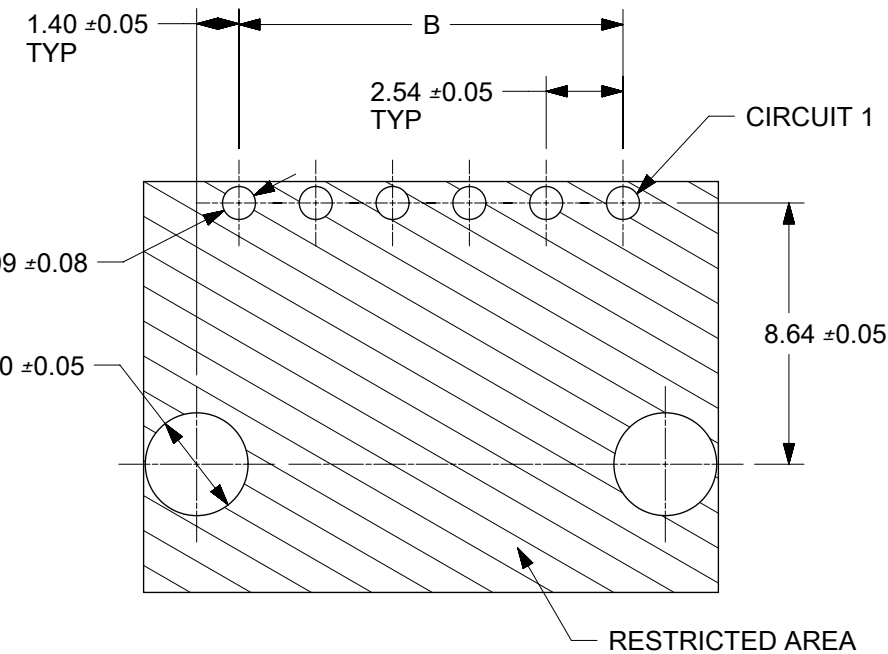
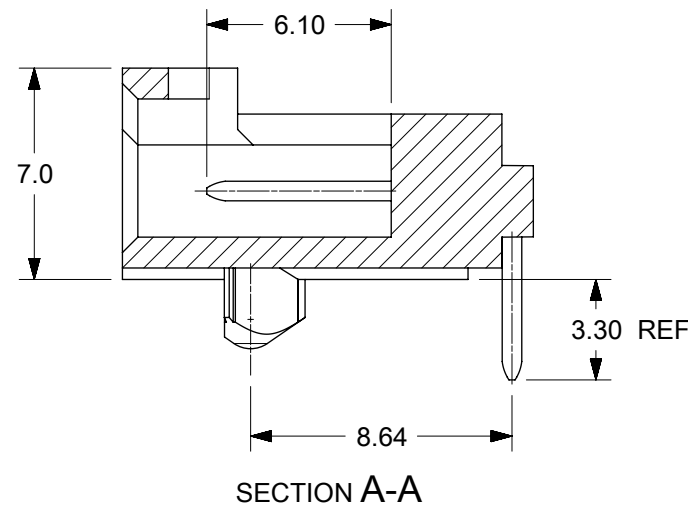
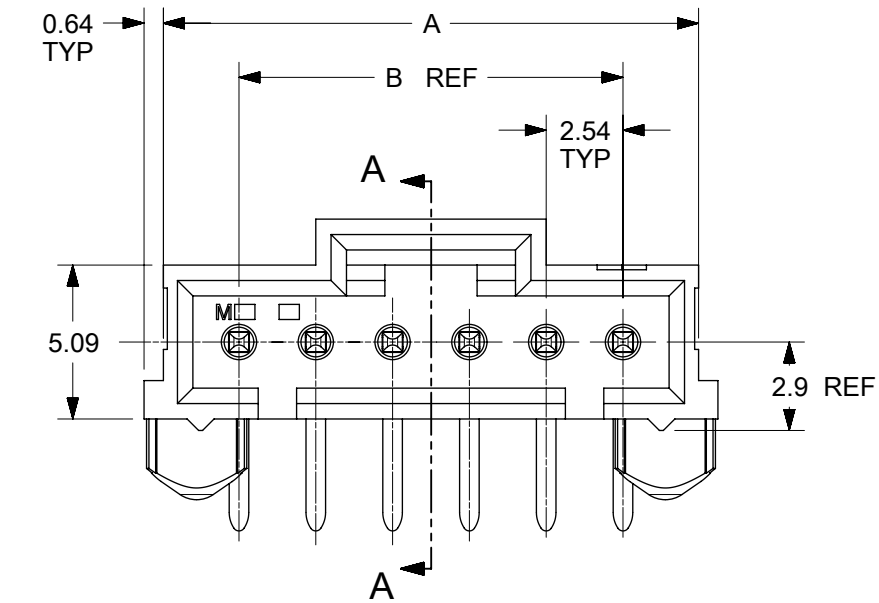


NOTES:

- HOUSING MATERIAL: LCP, UL94V-0, BLACK  
TERMINAL MATERIAL: BRASS
- PLATING:  
MATTE TIN - 2.54 MICROMETERS MINIMUM MATTE TIN OVER NICKEL.  
0.38 GOLD - SELECT GOLD IN MATING AREA: 0.38 MICROMETERS MIN  
SELECT MATTE TIN IN PC TAIL: 2.0 MICROMETER MIN  
WITH OVERALL NICKEL UNDERPLATE  
0.75 GOLD - SELECT GOLD IN MATING AREA: 0.75 MICROMETERS MIN  
SELECT MATTE TIN IN PC TAIL: 2.0 MICROMETER MIN  
WITH OVERALL NICKEL UNDERPLATE
- PRODUCT SPECIFICATION: 1719710000-PS AND PS-70400
- PACKAGING SPECIFICATION: TUBES PER 1719740000-PK
- HEADER MATES WITH: OPTION "G" 70400 AND 70430 SERIES  
SL CONNECTORS
- COSMETIC SPECIFICATION: PS-45499-002 CLASS B
- SOLDERABILITY PER SMES-152 LEAD FREE ALLOY



6 CIRCUIT PART SHOWN  
SEE OPTIONS ON SHEET 2

PCB LAYOUT: COMPONENT SIDE  
RECOMMENDED PCB THICKNESS: 1.57

CKTS	A	B
2	7.54	2.54
3	10.08	5.08
4	12.62	7.62
5	15.16	10.16
6	17.70	12.70
7	20.24	15.24
8	22.78	17.78
9	25.32	20.32
10	27.86	22.86
11	30.40	25.40
12	32.94	27.94
13	35.48	30.48
14	38.02	33.02
15	40.56	35.56
16	43.10	38.10
17	45.64	40.64
18	48.18	43.18
19	50.72	45.72
20	53.26	48.26
21	55.80	50.80
22	58.34	53.34
23	60.88	55.88
24	63.42	58.42
25	65.96	60.96

SYMBOLS	THIS DRAWING CONTAINS INFORMATION THAT IS PROPRIETARY TO MOLEX ELECTRONIC TECHNOLOGIES, LLC AND SHOULD NOT BE USED WITHOUT WRITTEN PERMISSION		CURRENT REV DESC: REV PER QUAL		<b>molex</b>		
	DIMENSION UNITS	SCALE					
▽ = 0	mm	4:1	EC NO: 174681		SL RTAN HEADER ASSY TH PEGS		
▽ = 0	GENERAL TOLERANCES (UNLESS SPECIFIED)		DRWN: KSAMIEC 2018/04/04				
▽ = 0	ANGULAR TOL ± °		CHK'D: MKIPPER 2018/04/09		PRODUCT CUSTOMER DRAWING		
▽ = 0	4 PLACES ±		APPR: FSMITH 2018/04/11				
▽ = 0	3 PLACES ±		INITIAL REVISION:		DOCUMENT NUMBER		
▽ = 0	2 PLACES ± 0.25		DRWN: KSAMIEC 2016/09/28				
▽ = 0	1 PLACE ± 0.38		APPR: FSMITH 2016/10/20		PSD 000 A5		
▽ = 0	0 PLACES ± 0.0		DRAFT WHERE APPLICABLE MUST REMAIN WITHIN DIMENSIONS				
▽ = 0	THIRD ANGLE PROJECTION		DRAWING		CUSTOMER		
▽ = 0	SERIES		B-SIZE 171975				
SHEET NUMBER		1 OF 2					

	10	9	8	7	6	5	4	3	2	1
F		MATTE TIN	0.38 GOLD	0.75 GOLD						
	CIRCUIT SIZE	MATERIAL NUMBER	MATERIAL NUMBER	MATERIAL NUMBER						
	2	171975-0002	171975-0102	171975-0202						
	3	171975-0003	171975-0103	171975-0203						
E	4	171975-0004	171975-0104	171975-0204						
	5	171975-0005	171975-0105	171975-0205						
	6	171975-0006	171975-0106	171975-0206						
	7	171975-0007	171975-0107	171975-0207						
	8	171975-0008	171975-0108	171975-0208						
	9	171975-0009	171975-0109	171975-0209						
	10	171975-0010	171975-0110	171975-0210						
	11	171975-0011	171975-0111	171975-0211						
D	12	171975-0012	171975-0112	171975-0212						
	13	171975-0013	171975-0113	171975-0213						
	14	171975-0014	171975-0114	171975-0214						
	15	171975-0015	171975-0115	171975-0215						
	16	171975-0016	171975-0116	171975-0216						
	17	171975-0017	171975-0117	171975-0217						
	18	171975-0018	171975-0118	171975-0218						
	19	171975-0019	171975-0119	171975-0219						
C	20	171975-0020	171975-0120	171975-0220						
	21	171975-0021	171975-0121	171975-0221						
	22	171975-0022	171975-0122	171975-0222						
	23	171975-0023	171975-0123	171975-0223						
	24	171975-0024	171975-0124	171975-0224						
	25	171975-0025	171975-0125	171975-0225						
B										
A										

SYMBOLS	THIS DRAWING CONTAINS INFORMATION THAT IS PROPRIETARY TO MOLEX ELECTRONIC TECHNOLOGIES, LLC AND SHOULD NOT BE USED WITHOUT WRITTEN PERMISSION													
	DIMENSION UNITS		SCALE		CURRENT REV DESC: REV PER QUAL									
	mm		1:1		<b>molex</b> SL RTAN HEADER ASSY TH PEGS PRODUCT CUSTOMER DRAWING									
	GENERAL TOLERANCES (UNLESS SPECIFIED)										EC NO: 174681		2018/04/04	
	ANGULAR TOL ± °										DRWN: KSAMIEC		2018/04/09	
	4 PLACES ±		3 PLACES ±		CHK'D: MKIPPER		2018/04/11		APPR: FSMITH					
	3 PLACES ±		2 PLACES ± 0.25		INITIAL REVISION:									
	2 PLACES ± 0.38		1 PLACE ± 0.0		DRWN: KSAMIEC		2016/09/28		DOCUMENT NUMBER					
	0 PLACES ± 0.0		DRAFT WHERE APPLICABLE MUST REMAIN WITHIN DIMENSIONS		APPR: FSMITH		2016/10/20		1719750000-SD					
	THIRD ANGLE PROJECTION		DRAWING		SERIES		MATERIAL NUMBER		CUSTOMER					
		B-SIZE		171975		SEE CHART		GENERAL MARKET						
SHEET NUMBER		2 OF 2												

DOCUMENT STATUS P1 RELEASE DATE 2018/04/11 17:49:54