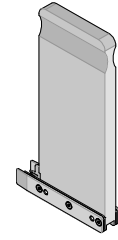




**DDR3 DIMM
Light Pipe
Extraction Tool**

**Application Tooling
Specification Sheet**



Order No. 62100-9250

FEATURES

- Tool aligns on DIMM socket to engage light pipe latches
- Compatible with 65mm, 72mm, and 114mm light pipes
- Low tool force to extract light pipe.
- Light pipe can be extracted without removing neighboring memory card(s).
- For actuator extraction, use tool 62100-9150.

SCOPE

Products: DDR3 DIMM Socket 78689 Series Assembly (276 Circuit, Vertical SMT, T1.9mm).
See Product List below for specific part numbers.

Product List

The following is a partial list of the product order numbers and their specifications this tool is designed to run. Updates to this list are available on www.molex.com.

Series No.	Assembly Order Number			
78689	78689-0001 (socket)	78689-7011 (light pipe)	78689-7012 (light pipe)	78689-7013 (light pipe)

Tool Operation:

The principal parts of the Light Pipe Extraction Tool are shown in Figure 1.

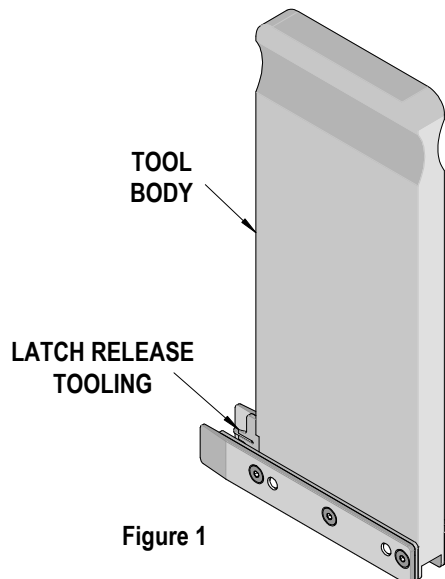


Figure 1

Tool Operation

1. Remove the Memory Card from the socket by pushing in the actuators.
2. Remove the actuator with tool 62100-9150 (see document number ATS-621009150).
3. Align the groove in the bottom of the tool body with the memory socket and place the tool on the socket, in the middle of the socket's length. See Figure 2.

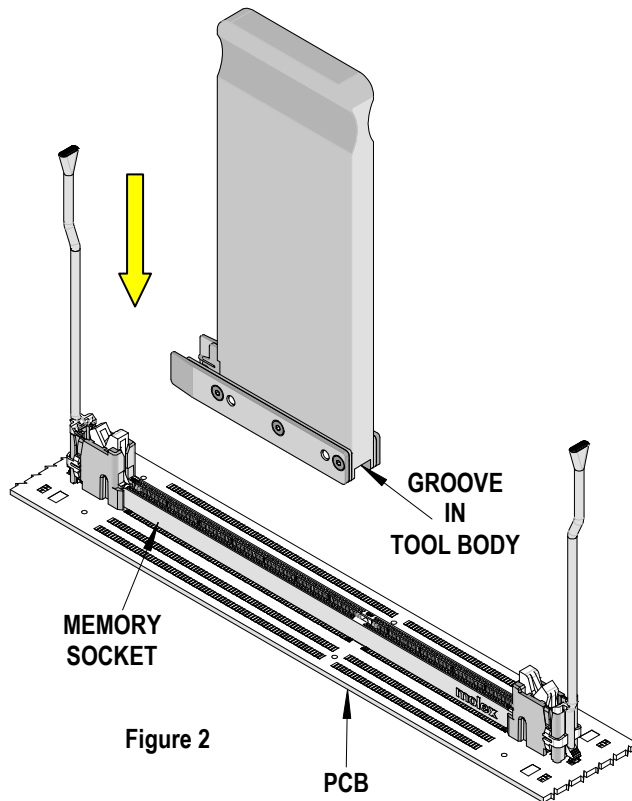


Figure 2

4. Slide the tool towards the light pipe. The tool will stop at the end of the socket (at this point the tool spreads the latches of the light pipe). See Figure 3.
5. With the tool in position as shown in Figure 4, pivot the tool to lift the light pipe from the memory socket. When the light pipe is freed from the socket latches, the tool can be removed and the light pipe can be lifted out by hand.
6. The light pipe can be re-inserted into the memory socket by hand; however it should be inspected for any damage first.

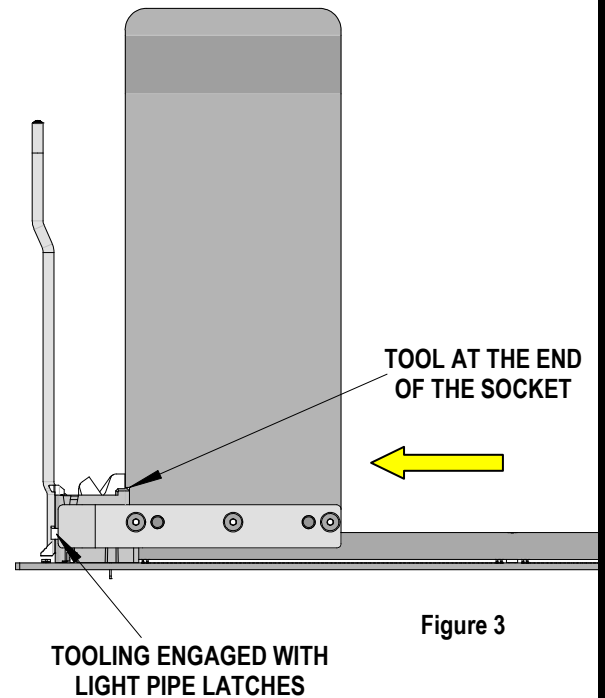


Figure 3

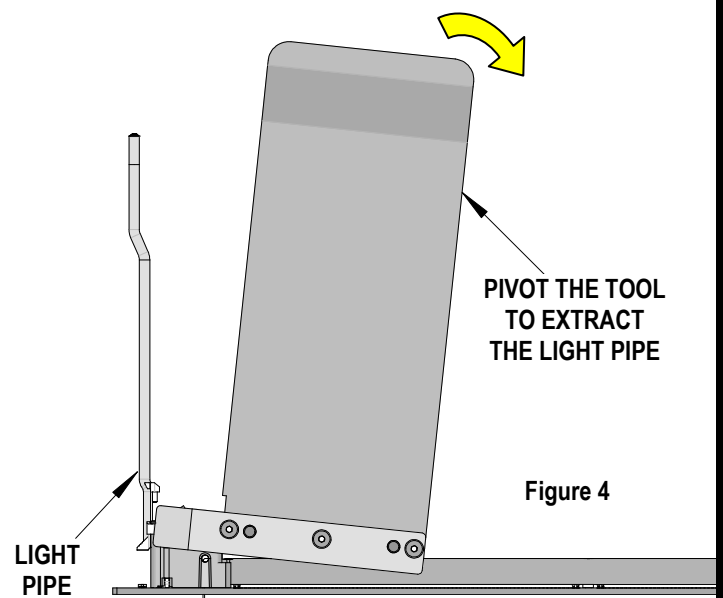


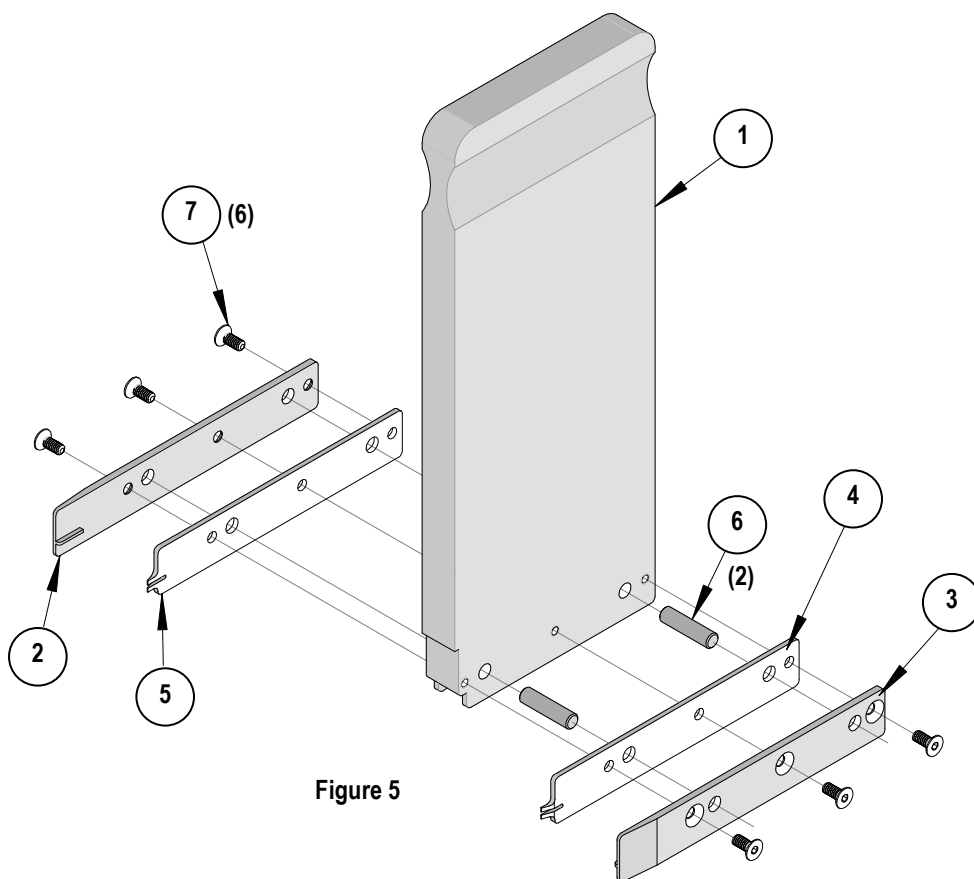
Figure 4

CAUTION: Molex application tooling specifications are valid only when used with Molex connectors and tooling.

Parts List

Light Pipe Extraction Tool 62100-9250			
Item	Order No.	Description	Quantity
1	62100-9251	Tool Body	1
2	62100-9202	Lift Tool (LH)	1
3	62100-9203	Lift Tool (RH)	1
4	62100-9204	Latch Release (RH)	1
5	62100-9205	Latch Release (LH)	1
6	N/A	3mm diameter by 12mm long dowel pin	2**
7	N/A	M2 by 5mm long FHCS	6**

** Available from an industrial supply company such as MSC (1-800-645-7270).



Contact Information

For more information on Molex application tooling please contact Molex at 1-800-786-6539.

Visit our Web site at <http://www.molex.com>