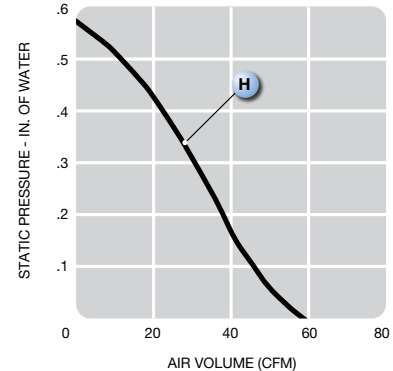
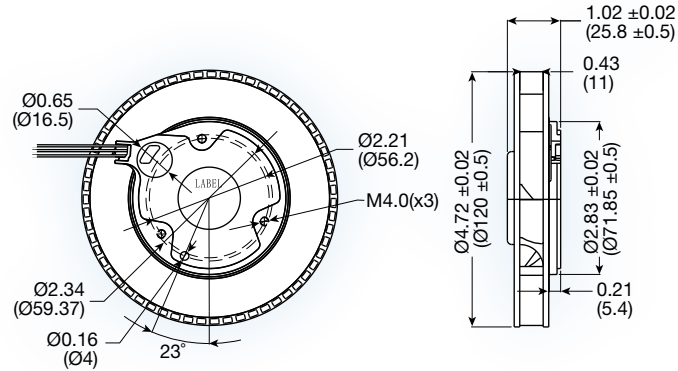


MSI1225 series



(120 dia. x 25 mm)

4.72 dia. x 0.98 inches

Features: soft start, polarity protection, auto-restart

Operating Voltage: 12 or 24 VDC

Construction: aluminum die cast motor base; UL94V-0 plastic impeller

Bearing option: ball bearing

Motor: brushless DC

| Model No. | Rated Voltage VDC | Current A | | Speed RPM | Air Volume | | Max. Static Pressure (H ₂ O) | | Sound Noise dba | Weight g |
|-----------|----------------------|--------------|------|--------------|----------------------|------|---|------|--------------------|-------------|
| | | 12 | 24 | | M ³ /Min. | CFM | MM | INCH | | |
| MSI1225H | 12/24 | 0.88 | 0.48 | 3,300 | 1.64 | 58.0 | 13.7 | 0.57 | 51 | 161 |

