

Titanis 2.4 GHz Swivel SMA Antenna

Part No. B4844 / B4844-R

gigaNOVA®

Product Specification

1 Features

- Designed for 2.4 GHz applications: Bluetooth®, Wi-Fi® (802.11a/b/g/n), ZigBee®, etc.
- Antenna with a SMA male connector
- Also available as SMA reverse thread to meet FCC regulations, part 15
- High efficiency
- Supplied in bulk

2 Description

Titanis is intended for use with all 2.4 GHz applications. The antenna is fitted with a SMA male connector and a blade made of flexible material that can be rotated 360 degree.

No external matching network required.

3 Applications

- Development tools
- Test equipment
- Access points, routers, etc
- Printers



4 Part number

Standard SMA – male: B4844

Reverse thread SMA – male: B4844-R

5 General data

Product name	Titanis 2.4 GHz
Part Number	B4844 (Standard SMA – male)
	B4844-R (Reverse thread SMA – male)
Frequency	2.4 – 2.5 GHz
Polarization	Linear
Operating temperature	-40 °C to +85 °C
Impedance	50 Ω
Weight	7.1 g
Antenna type	¹ Swivel external
Dimensions	20 x 19.5 x 62.5 [mm]

¹The blade of the antenna is the only part that swivels. DO NOT twist the plastic housing of the antenna blade. The housing is NOT designed to twist or turn and any attempt to do so will likely result in permanent damage to the antenna and its performance and will not be covered by warranty. Installation and removal of the antenna should only be done by turning the metal SMA connector.

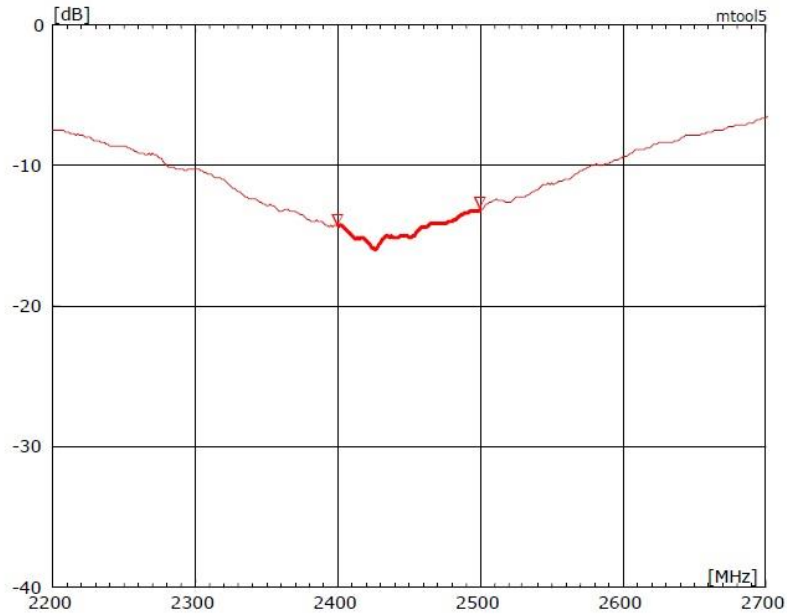
Titanis is not suitable for outdoor use or applications.

6 Electrical characteristics

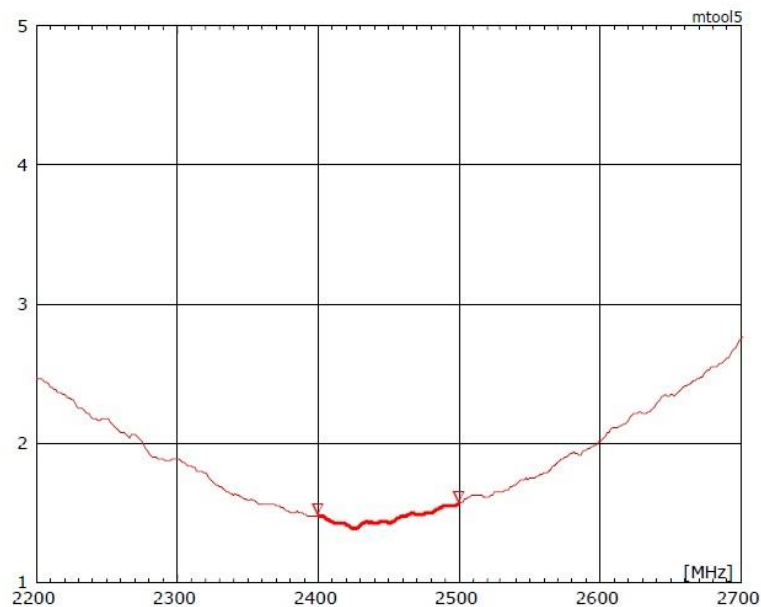
	Typical performance	Conditions
Peak gain	2.2 dBi	Data given for the 2.4 – 2.5 GHz frequency range
Average gain	-1.0 dBi	
Average efficiency	80%	
Maximum Return Loss	-13 dB	
Maximum VSWR	1.6:1	

7 Electrical performance

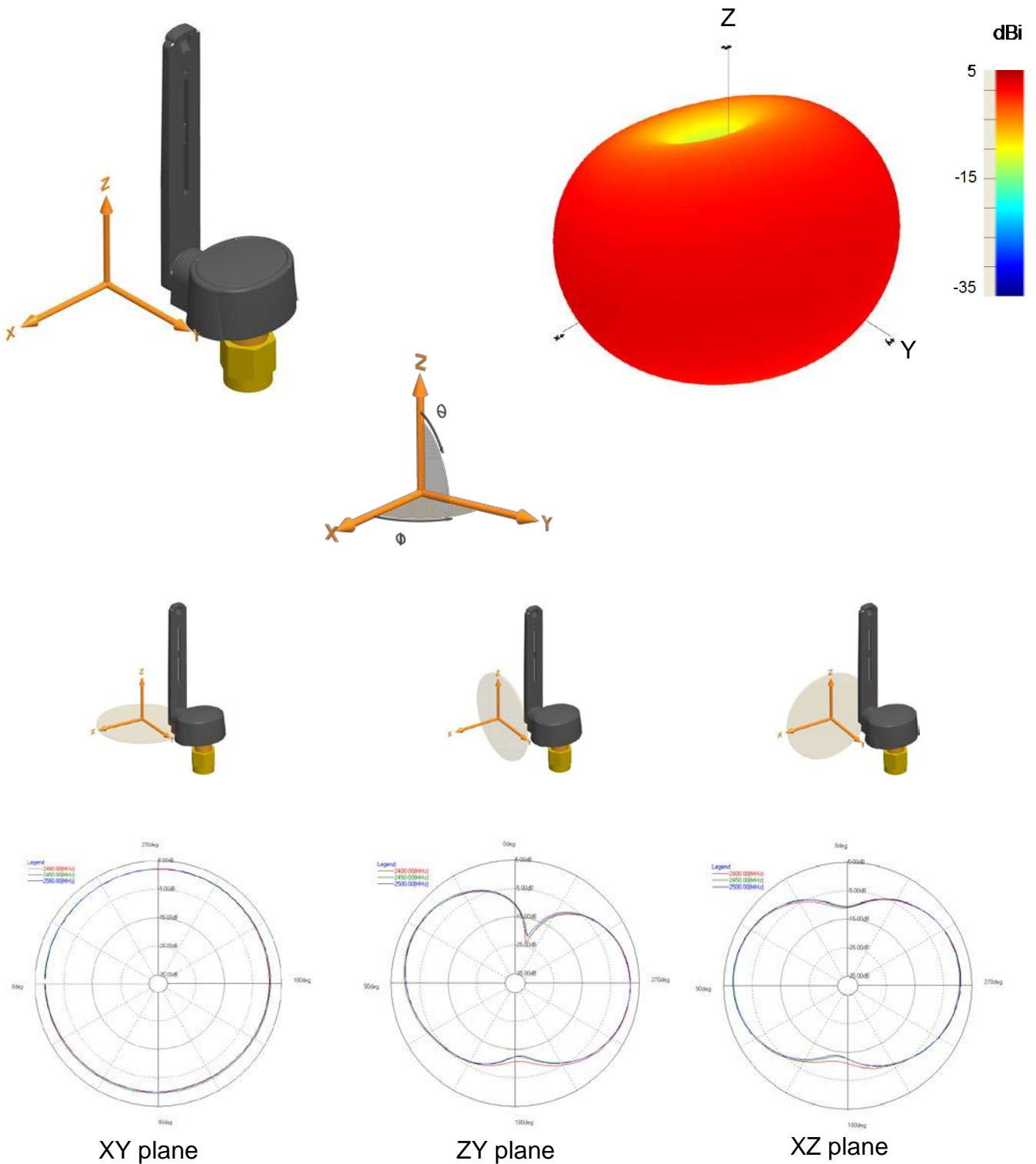
7-1 Return Loss



7-2 VSWR

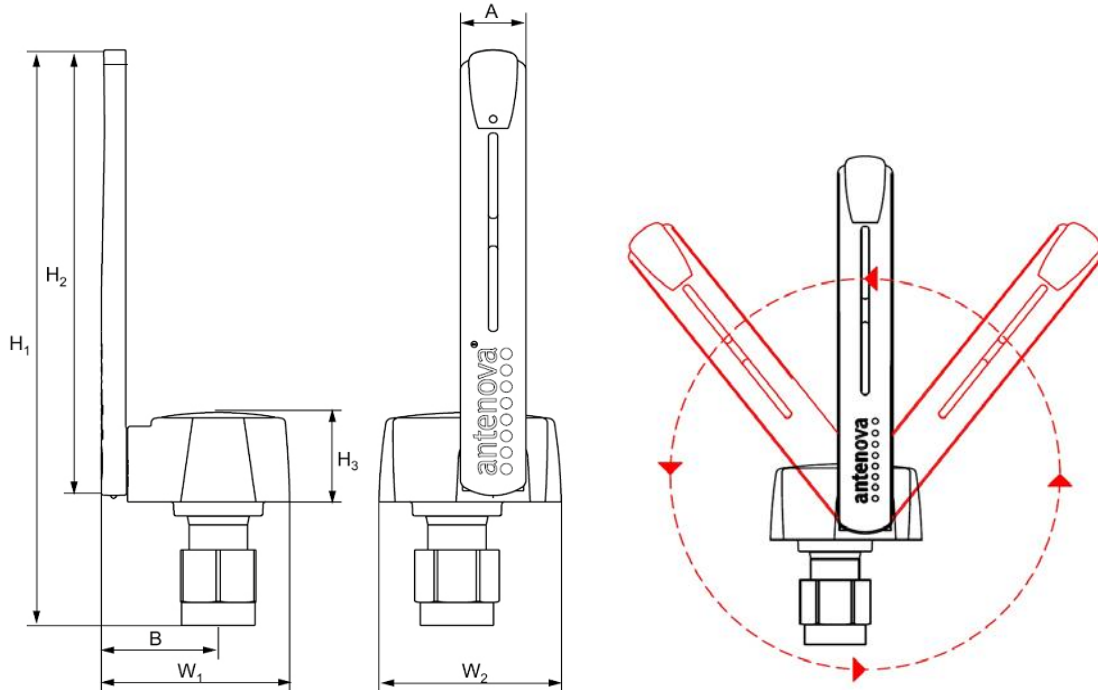


7-3 Antenna patterns



Patterns show combined polarisations

8 Antenna dimensions



A	B	H1	H2	H3	W1	W2
		Height	Height	Height	Width	Width
7 ± 0.2	12.5 ± 0.5	62.5 ± 0.5	48.3 ± 0.5	9.5 ± 0.5	20 ± 0.3	19.5 ± 0.3

Dimensions in mm

Warning: The blade of the antenna is the only part that swivels. **DO NOT** twist the plastic housing of the antenna blade. The housing is **NOT** designed to twist or turn and any attempt to do so will likely result in permanent damage to the antenna and its performance and is not covered by warranty. Installation and removal of the antenna should only be done by turning the metal SMA connector.

9 Hazardous material regulation conformance

The antenna has been tested to conform to RoHS requirements. A certificate of conformance is available from Antenova M2M's website.

10 Packaging

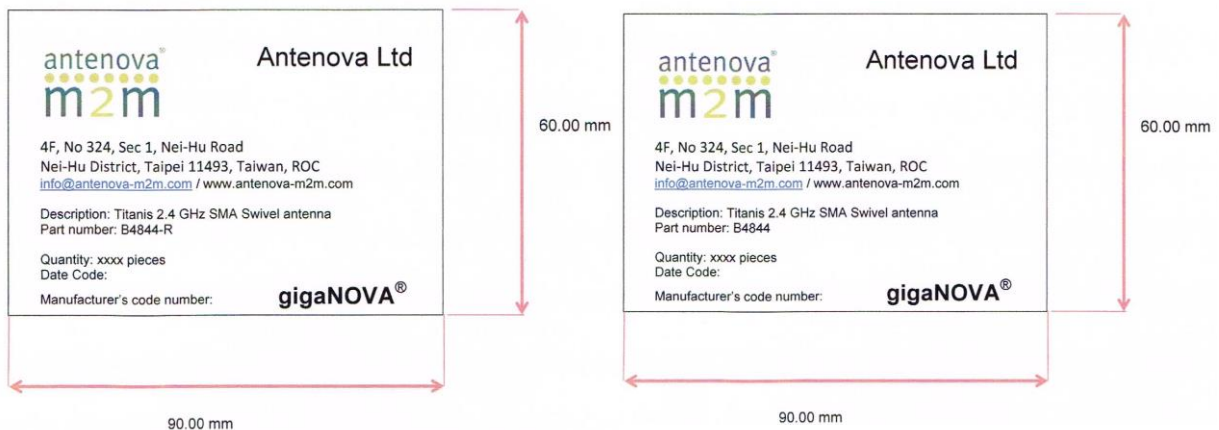
10-1 Optimal storage conditions

Temperature	-10°C to 40°C
Humidity	Less than 75% RH
Shelf Life	48 Months
Storage place	Away from corrosive gas and direct sunlight

10-2 Packaging information

The antennas are delivered in bulk, enclosed in plastic bags.

10-3 Bag label information





www.antenova-m2m.com

Corporate Headquarters

Antenova Ltd.
2nd Floor Titan Court
3 Bishop Square
Hatfield
AL10 9NA

North America Headquarters

Antenova Ltd.
100 Brush Creek Road, Suite 103
Santa Rosa
California, 95404
USA

Asia Headquarters

Antenova Asia Ltd.
4F, No. 324, Sec. 1, Nei-Hu Road
Nei-Hu District
Taipei 11493
Taiwan, ROC

Tel: +44 1223 810600
Email: sales@antenova-m2m.com

Tel: +1 707 890 5202
Email: sales@antenova-m2m.com

Tel: +886 (0) 2 8797 8630
Fax: +886 (0) 2 8797 6890
Email: sales@antenova-m2m.com

Copyright® Antenova Ltd. All Rights Reserved. Antenova®, Antenova M2M®, gigaNOVA®, the Antenova product family names, and the Antenova and Antenova M2M logos are trademarks and/or registered trademarks of Antenova Ltd. Any other names and/or trademarks belong to their respective companies.

The materials provided herein are believed to be reliable and correct at the time of print. Antenova does not warrant the accuracy or completeness of the information, text, graphics or other items contained within these information. Antenova further assumes no responsibility for the use of this information, and all such information shall be entirely at the user's risk.



Certificate No: 4598

Antennas for Wireless M2M Applications