



# STGD3NB60SD

N-CHANNEL 3A - 600V - DPAK

PowerMESH™ IGBT

TYPE	V <sub>CES</sub>	V <sub>CE(sat)</sub>	I <sub>C</sub>
STGD3NB60SD	600 V	< 1.5 V	3 A

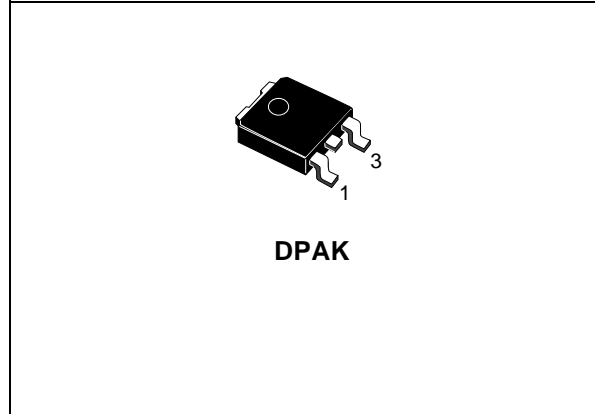
- HIGH INPUT IMPEDANCE (VOLTAGE DRIVEN)
- VERY LOW ON-VOLTAGE DROP (V<sub>cesat</sub>)
- HIGH CURRENT CAPABILITY
- INTEGRATED WHEELING DIODE
- OFF LOSSES INCLUDE TAIL CURRENT

## DESCRIPTION

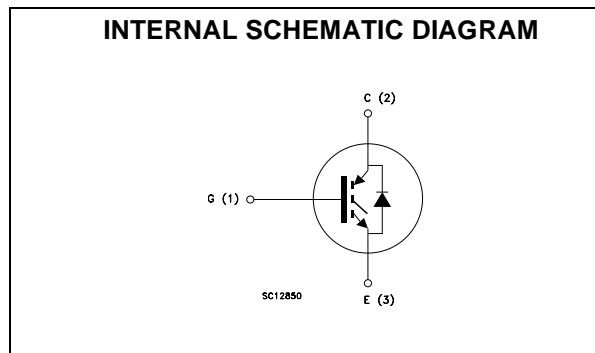
Using the latest high voltage technology based on a patented strip layout, STMicroelectronics has designed an advanced family of IGBTs, the PowerMESH™ IGBTs, with outstanding performances. The suffix "S" identifies a family optimized to achieve minimum on-voltage drop for low frequency applications (<1kHz).

## APPLICATIONS

- MOTOR CONTROL
- GAS DISCHARGE LAMP
- STATIC RELAYS



DPAK



## ORDERING INFORMATION

SALES TYPE	MARKING	PACKAGE	PACKAGING
STGD3NB60SDT4	GD3NB60SD	DPAK	TAPE & REEL

## STGD3NB60SD

### ABSOLUTE MAXIMUM RATINGS

Symbol	Parameter	Value	Unit
$V_{CES}$	Collector-Emitter Voltage ( $V_{GS} = 0$ )	600	V
$V_{GE}$	Gate-Emitter Voltage	$\pm 20$	V
$I_C$	Collector Current (continuous) at $T_C = 25^\circ\text{C}$	6	A
$I_C$	Collector Current (continuous) at $T_C = 100^\circ\text{C}$	3	A
$I_{CM} (*)$	Collector Current (pulsed)	25	A
$P_{TOT}$	Total Dissipation at $T_C = 25^\circ\text{C}$	48	W
	Derating Factor	0.32	W/°C
$T_{stg}$	Storage Temperature	- 65 to 175	°C
$T_j$	Max. Operating Junction Temperature	175	°C

(\*) Pulse width limited by safe operating area

### THERMAL DATA

Rthj-case	Thermal Resistance Junction-case Max	3.125	°C/W
Rthj-amb	Thermal Resistance Junction-ambient Max	100	°C/W

### ELECTRICAL CHARACTERISTICS (TCASE = 25 °C UNLESS OTHERWISE SPECIFIED)

OFF

Symbol	Parameter	Test Conditions	Min.	Typ.	Max.	Unit
$V_{BR(CES)}$	Collectro-Emitter Breakdown Voltage	$I_C = 250 \mu\text{A}$ , $V_{GE} = 0$	600			V
$I_{CES}$	Collector cut-off ( $V_{GE} = 0$ )	$V_{CE} = \text{Max Rating}$ , $T_C = 25^\circ\text{C}$ $V_{CE} = \text{Max Rating}$ , $T_C = 125^\circ\text{C}$			10 100	$\mu\text{A}$ $\mu\text{A}$
$I_{GES}$	Gate-Emitter Leakage Current ( $V_{CE} = 0$ )	$V_{GE} = \pm 20\text{V}$ , $V_{CE} = 0$			$\pm 100$	nA

ON (1)

Symbol	Parameter	Test Conditions	Min.	Typ.	Max.	Unit
$V_{GE(th)}$	Gate Threshold Voltage	$V_{CE} = V_{GE}$ , $I_C = 250\mu\text{A}$	2.5		4.5	V
$V_{CE(sat)}$	Collector-Emitter Saturation Voltage	$V_{GE} = 15\text{V}$ , $I_C = 1.5 \text{ A}$ $V_{GE} = 15\text{V}$ , $I_C = 3 \text{ A}$ $V_{GE} = 15\text{V}$ , $I_C = 7 \text{ A}$ , $T_J = 125^\circ\text{C}$		1 1.2 1.1	1.5	V V V

### DYNAMIC

Symbol	Parameter	Test Conditions	Min.	Typ.	Max.	Unit
$g_{fs}$	Forward Transconductance	$V_{CE} = 10 \text{ V}$ , $I_C = 3 \text{ A}$	1.7	2.5		S
$C_{ies}$	Input Capacitance	$V_{CE} = 25\text{V}$ , $f = 1 \text{ MHz}$ , $V_{GE} = 0$		255		pF
$C_{oes}$	Output Capacitance			30		pF
$C_{res}$	Reverse Transfer Capacitance			5.6		pF
$Q_G$ $Q_{GE}$ $Q_{GC}$	Total Gate Charge Gate-Emitter Charge Gate-Collector Charge	$V_{CE} = 480 \text{ V}$ , $I_C = 3 \text{ A}$ , $V_{GE} = 15\text{V}$		18 5.4 5.5	23	nC nC nC
$I_{CL}$	Latching Current	$V_{clamp} = 380 \text{ V}$ , $T_j = 25^\circ\text{C}$ $R_G = 1\text{K}\Omega$	15			A

**ELECTRICAL CHARACTERISTICS (CONTINUED)**  
SWITCHING ON

Symbol	Parameter	Test Conditions	Min.	Typ.	Max.	Unit
$t_{d(on)}$ $t_r$	Turn-on Delay Time Rise Time	$V_{CC} = 480\text{ V}$ , $I_C = 3\text{ A}$ $R_G = 1\text{ K}\Omega$ , $V_{GE} = 15\text{ V}$		125 150		$\mu\text{s}$ $\mu\text{s}$
$(di/dt)_{on}$ $E_{on}$	Turn-on Current Slope Turn-on Switching Losses	$V_{CC} = 480\text{ V}$ , $I_C = 3\text{ A}$ , $R_G = 1\text{ K}\Omega$ $V_{GE} = 15\text{ V}$ , $T_j = 125^\circ\text{C}$		50 1100		$\text{A}/\mu\text{s}$ $\mu\text{J}$

SWITCHING OFF

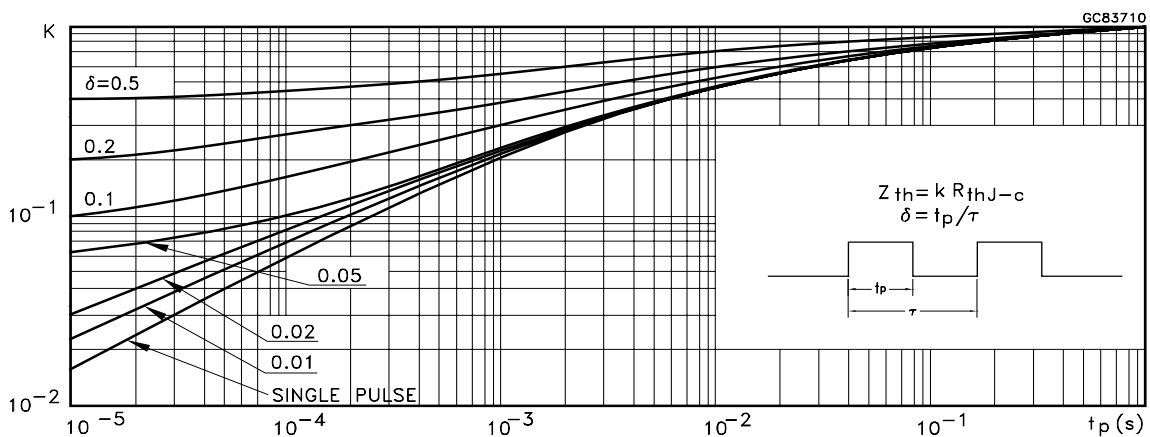
Symbol	Parameter	Test Conditions	Min.	Typ.	Max.	Unit
$t_c$ $t_r(V_{off})$ $t_{d(on)}$ $t_f$ $E_{off(**)}$	Cross-over Time Off Voltage Rise Time Delay Time Fall Time Turn-off Switching Loss	$V_{CC} = 480\text{ V}$ , $I_C = 3\text{ A}$ , $R_{GE} = 1\text{ K}\Omega$ , $V_{GE} = 15\text{ V}$		1.8 1.0 3.4 0.72 1.15		$\mu\text{s}$ $\mu\text{s}$ $\mu\text{s}$ $\mu\text{s}$ $\text{mJ}$
$t_c$ $t_r(V_{off})$ $t_{d(on)}$ $t_f$ $E_{off(**)}$	Cross-over Time Off Voltage Rise Time Delay Time Fall Time Turn-off Switching Loss	$V_{CC} = 480\text{ V}$ , $I_C = 3\text{ A}$ , $R_{GE} = 1\text{ K}\Omega$ , $V_{GE} = 15\text{ V}$ , $T_j = 125^\circ\text{C}$		2.8 1.45 3.6 1.2 1.8		$\mu\text{s}$ $\mu\text{s}$ $\mu\text{s}$ $\mu\text{s}$ $\text{mJ}$

**COLLECTOR-EMITTER DIODE**

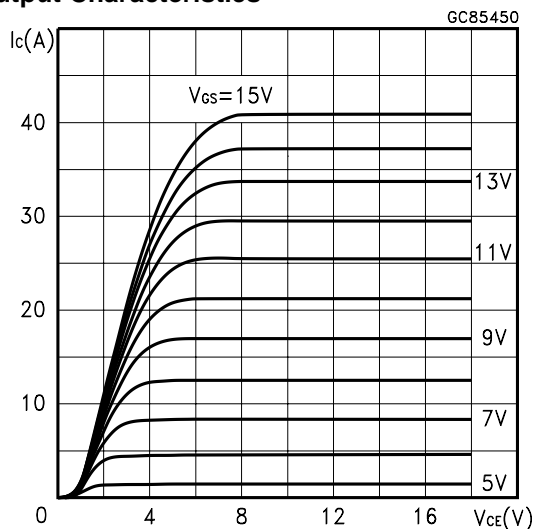
Symbol	Parameter	Test Conditions	Min.	Typ.	Max.	Unit
$I_f$ $I_{fm}$	Forward Current Forward Current pulsed				3 25	A A
$V_f$	Forward On-Voltage	$I_f = 3\text{ A}$ $I_f = 1\text{ A}$		1.55 1.15	1.9	V V
$t_{rr}$ $Q_{rr}$ $I_{rrm}$	Reverse Recovery Time Reverse Recovery Charge Reverse Recovery Current	$I_f = 3\text{ A}$ , $V_R = 200\text{ V}$ , $T_j = 125^\circ\text{C}$ , $di/dt = 100\text{ A}/\mu\text{s}$		1700 4500 9.5		ns nC A

Note: 1. Pulsed: Pulse duration = 300  $\mu\text{s}$ , duty cycle 1.5 %.  
2. Pulse width limited by max. junction temperature.  
(\*\*) Losses also include the Tail (Jedec Standardization)

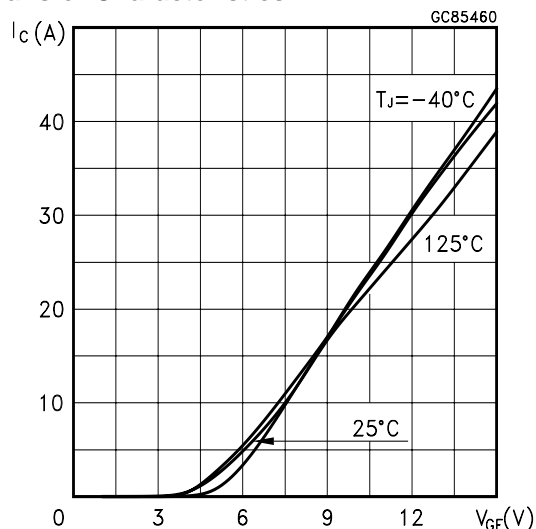
**Thermal Impedance**



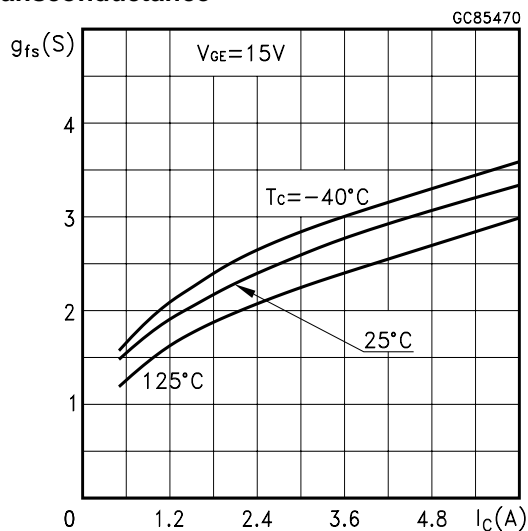
Output Characteristics



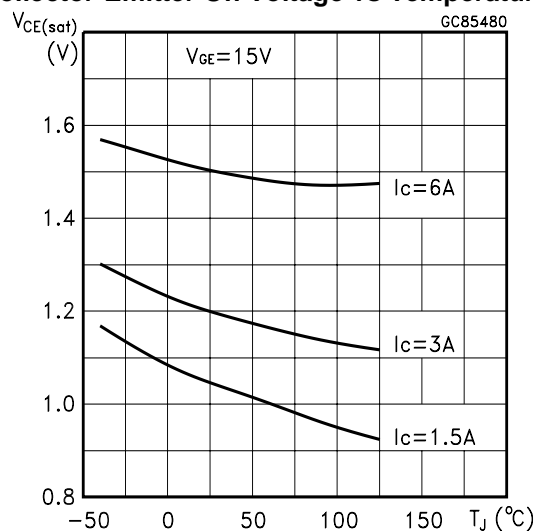
Transfer Characteristics



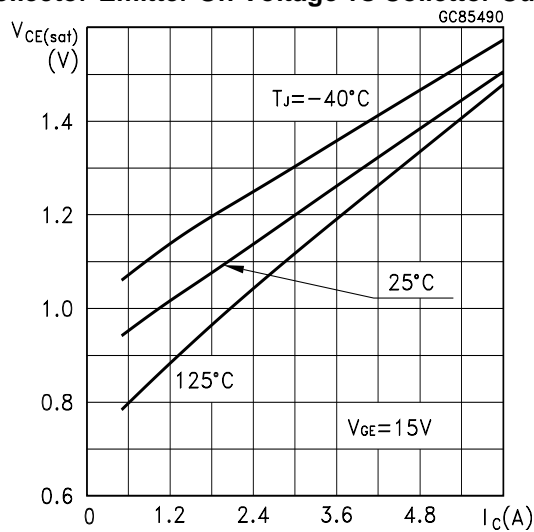
Transconductance



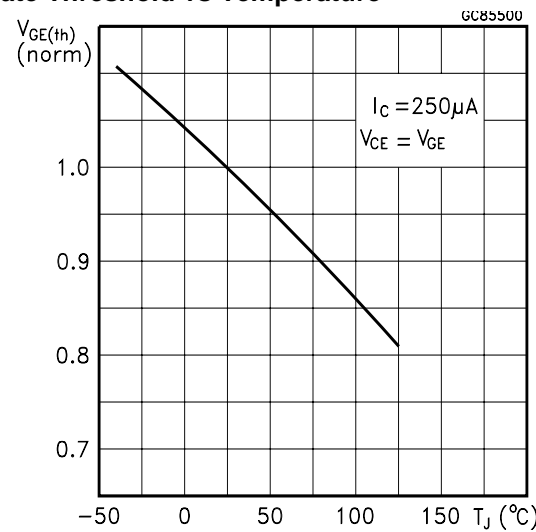
Collector-Emitter On Voltage vs Temperature



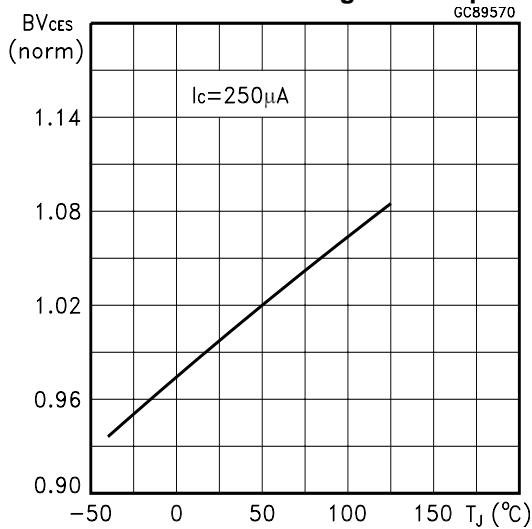
Collector-Emitter On Voltage vs Collector Current



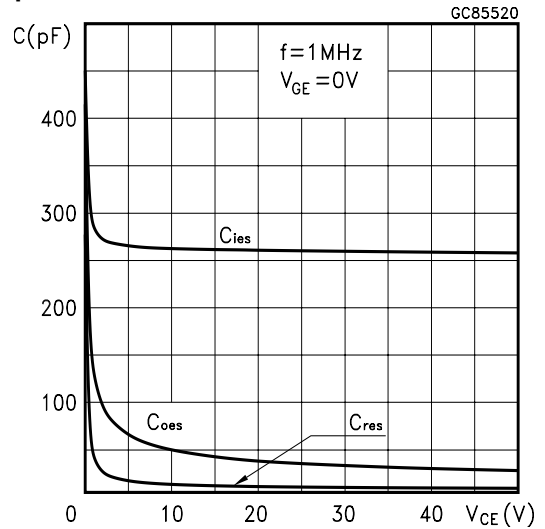
Gate Threshold vs Temperature



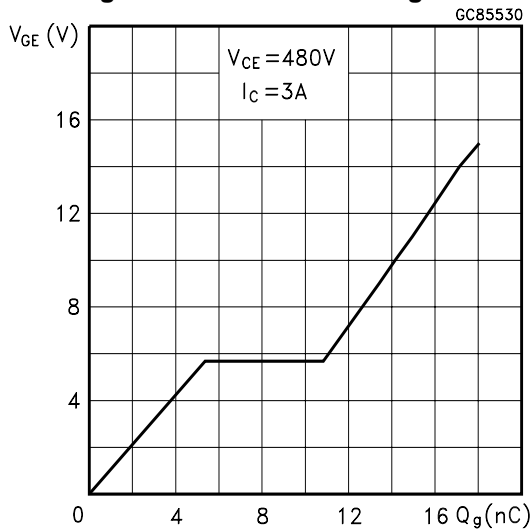
Normalized Breakdown Voltage vs Temperature



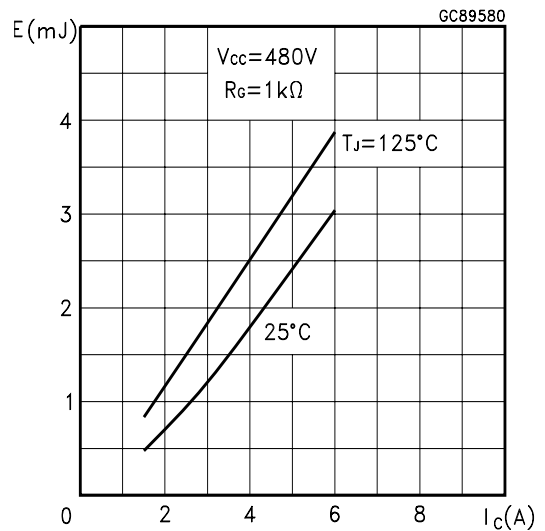
Capacitance Variations



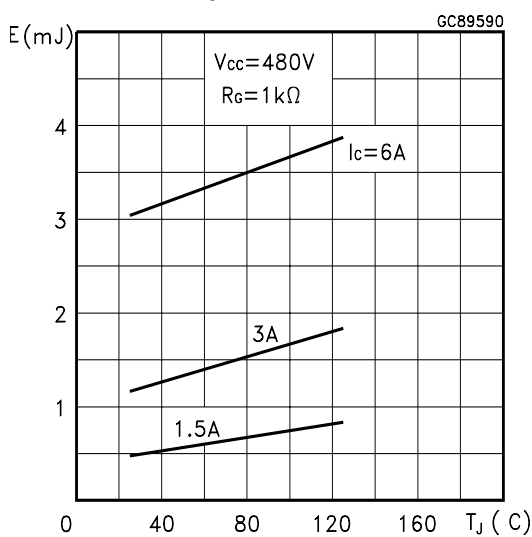
Gate Charge vs Gate-Emitter Voltage



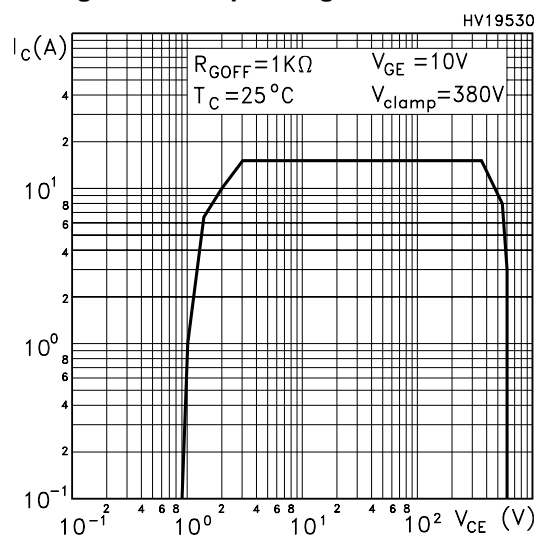
Off Losses vs Collector Current



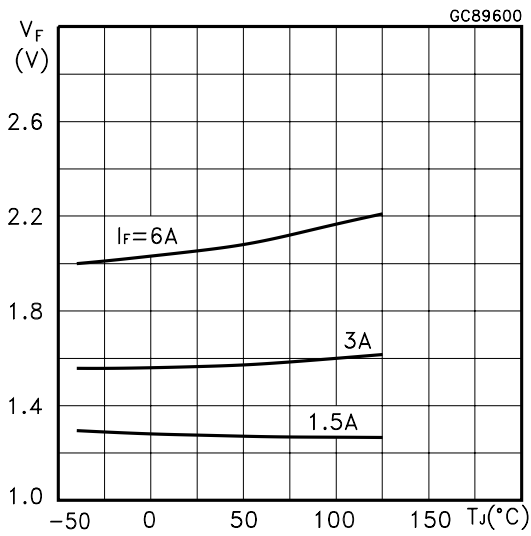
Off Losses vs Temperature



Switching Off Safe Operating Area



Diode Forward Voltage vs Tj



Diode Forward Voltage

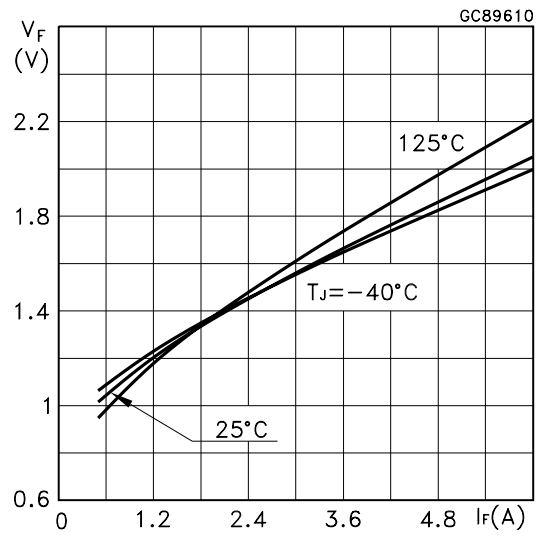


Fig. 1: Gate Charge test Circuit

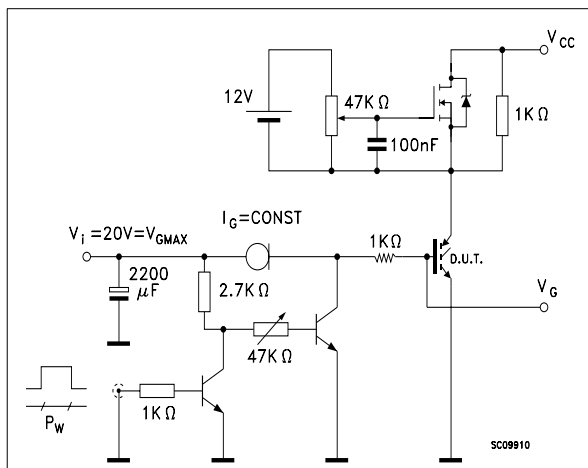
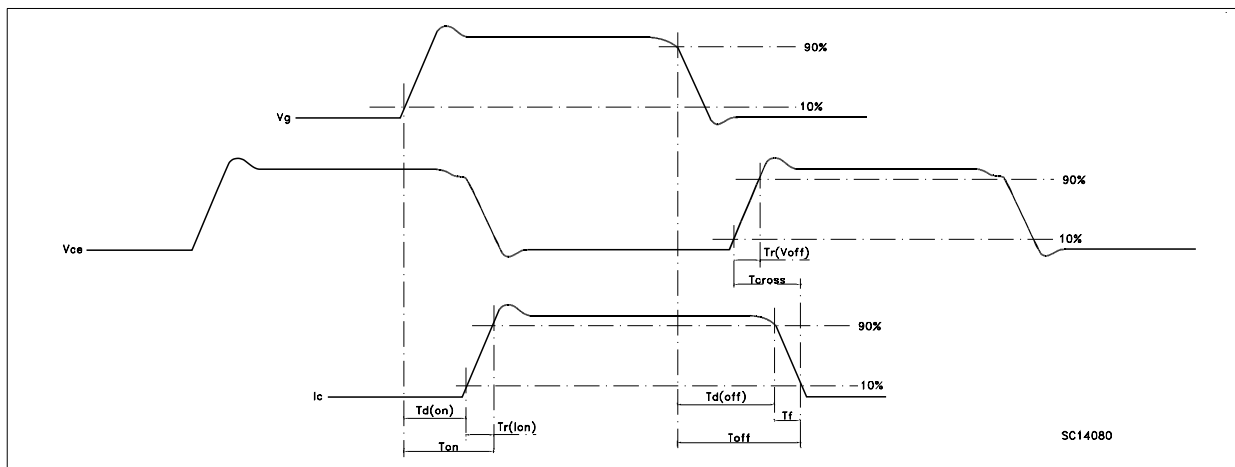
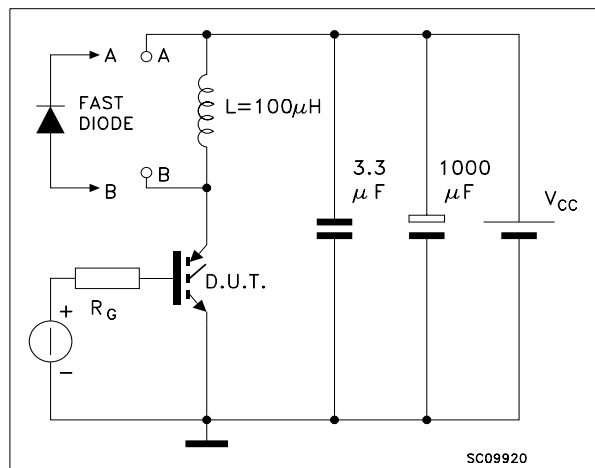
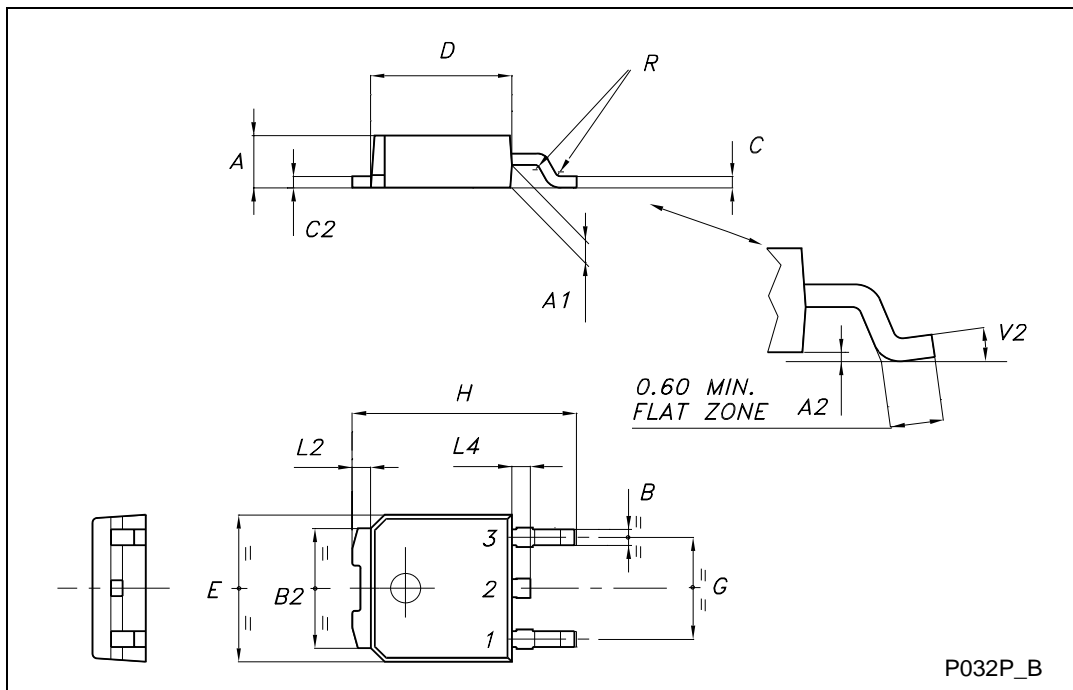


Fig. 2: Test Circuit For Inductive Load Switching

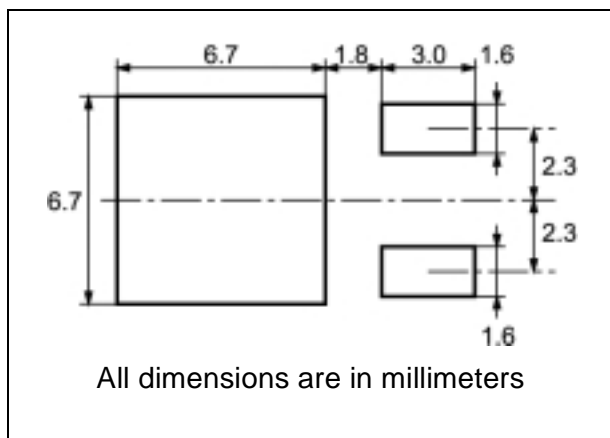


TO-252 (DPAK) MECHANICAL DATA

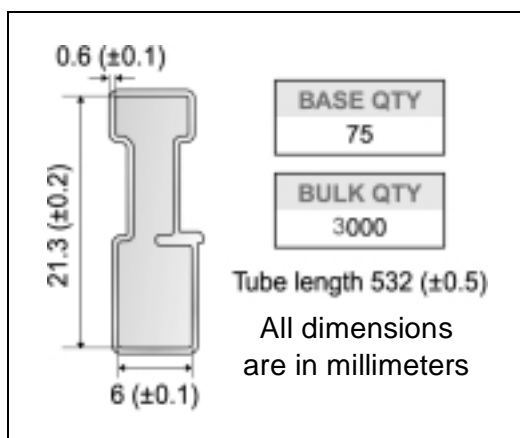
DIM.	mm			inch		
	MIN.	TYP.	MAX.	MIN.	TYP.	MAX.
A	2.20		2.40	0.087		0.094
A1	0.90		1.10	0.035		0.043
A2	0.03		0.23	0.001		0.009
B	0.64		0.90	0.025		0.035
B2	5.20		5.40	0.204		0.213
C	0.45		0.60	0.018		0.024
C2	0.48		0.60	0.019		0.024
D	6.00		6.20	0.236		0.244
E	6.40		6.60	0.252		0.260
G	4.40		4.60	0.173		0.181
H	9.35		10.10	0.368		0.398
L2		0.8			0.031	
L4	0.60		1.00	0.024		0.039
V2	0°		8°	0°		0°



**DPAK FOOTPRINT**



**TUBE SHIPMENT (no suffix)\***



**TAPE AND REEL SHIPMENT (suffix "T4")\***

40 mm min. Access hole at slot location

Full radius

Tape slot in core for tape start 2.5mm min. width

G measured at hub

**REEL MECHANICAL DATA**

DIM.	mm		inch	
	MIN.	MAX.	MIN.	MAX.
A		330		12.992
B	1.5		0.059	
C	12.8	13.2	0.504	0.520
D	20.2		0.795	
G	16.4	18.4	0.645	0.724
N	50		1.968	
T		22.4		0.881

BASE QTY	BULK QTY
2500	2500

**TAPE MECHANICAL DATA**

DIM.	mm		inch	
	MIN.	MAX.	MIN.	MAX.
A0	6.8	7	0.267	0.275
B0	10.4	10.6	0.409	0.417
B1		12.1		0.476
D	1.5	1.6	0.059	0.063
D1	1.5		0.059	
E	1.65	1.85	0.065	0.073
F	7.4	7.6	0.291	0.299
K0	2.55	2.75	0.100	0.108
P0	3.9	4.1	0.153	0.161
P1	7.9	8.1	0.311	0.319
P2	1.9	2.1	0.075	0.082
R	40		1.574	
W	15.7	16.3	0.618	0.641

10 pitches cumulative tolerance on tape +/- 0.2 mm

TOP COVER TAPE

Center line of cavity

User Direction of Feed

FEED DIRECTION

Bending radius R min.

\* on sales type



Information furnished is believed to be accurate and reliable. However, STMicroelectronics assumes no responsibility for the consequences of use of such information nor for any infringement of patents or other rights of third parties which may result from its use. No license is granted by implication or otherwise under any patent or patent rights of STMicroelectronics. Specifications mentioned in this publication are subject to change without notice. This publication supersedes and replaces all information previously supplied. STMicroelectronics products are not authorized for use as critical components in life support devices or systems without express written approval of STMicroelectronics.

The ST logo is a registered trademark of STMicroelectronics  
All other names are the property of their respective owners

© 2004 STMicroelectronics - All Rights Reserved  
STMicroelectronics GROUP OF COMPANIES

Australia - Belgium - Brazil - Canada - China - Czech Republic - Finland - France - Germany - Hong Kong - India - Israel - Italy - Japan -  
Malaysia - Malta - Morocco - Singapore - Spain - Sweden - Switzerland - United Kingdom - United States.

<http://www.st.com>