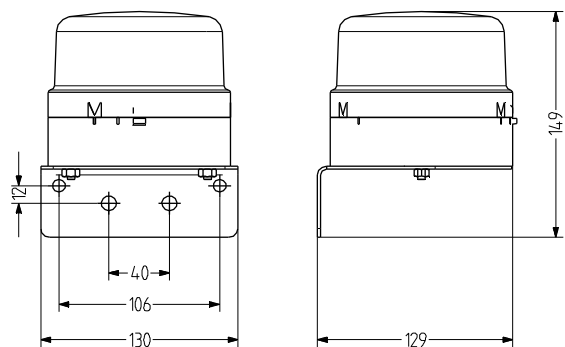
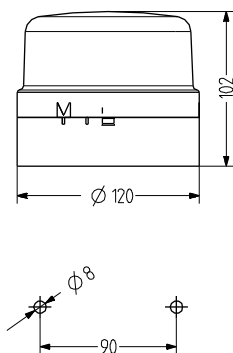


BLG LED flashing beacon

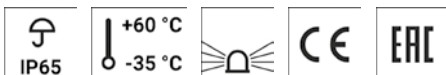
- Ø 120 mm LED flashing beacon
- Good signalling effect from 48 LEDs
- High degree of protection IP 65
- Optional mounting bracket for vertical mounting
- Bayonet locking system with push button
- For general applications
- Attractive price/performance ratio



TECHNICAL DATA

Housing	Ø 120 mm, ABS black (RAL 9005) or grey (RAL 7035)
Lens	Polycarbonate, ribbed inside orange, red, clear, blue, green or yellow
Type of mounting	horizontal or vertical (with bracket)
Cable entry	bottom: Grommet 5-10 mm
Connection technology	Terminal 2,5 mm ²
Leakage current	0,003 A (PLC-suitable)
Beacon type	LED flashing beacon

Light source	48 LEDs
Strobe/flash frequency	2 Hz
Duty cycle	100 %
Service life	Light source: 100.000 h
Operating temperature	-35°C/+60°C
Degree of protection	IP65
Weight	270 g



BLG

ORDER DATA

Lens colour	Nominal voltage	Voltage range (V)	Nominal current (A)	Housing colour	
				black	grey
orange	24 V AC/DC	17-26 V AC	0,220	807 501 405	807 101 405
		17-32 V DC	0,120		
red	24 V AC/DC	230-240 V AC	+/- 10 %	807 501 313	807 101 313
		24 V AC/DC	17-26 V AC	0,220	807 502 405
clear	24 V AC/DC	17-32 V DC	0,120	807 502 313	807 102 313
		230-240 V AC	+/- 10 %		
blue	24 V AC/DC	17-26 V AC	0,220	807 504 313	807 104 313
		17-32 V DC	0,200		
green	24 V AC/DC	230-240 V AC	+/- 10 %	807 505 405	807 105 405
		24 V AC/DC	17-26 V AC	0,220	807 505 313
yellow	24 V AC/DC	17-32 V DC	0,200	807 506 405	807 106 405
		230-240 V AC	+/- 10 %		
	24 V AC/DC	17-26 V AC	0,220	807 507 405	807 107 405
		17-32 V DC	0,120		
	230-240 V AC	+/- 10 %	0,060	807 507 313	807 107 313



WIG

ACCESSORIES

Type	Type of accessory	Order number
WIG	Bracket made of metal for wall mounting	822 200 900