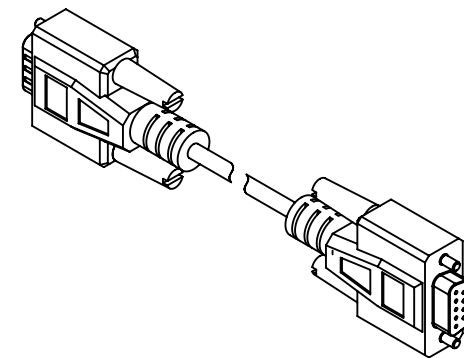
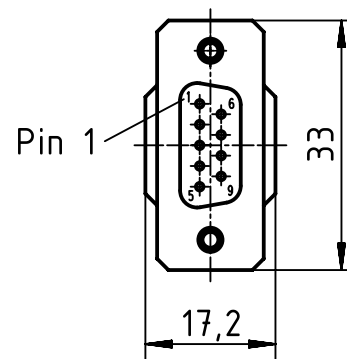
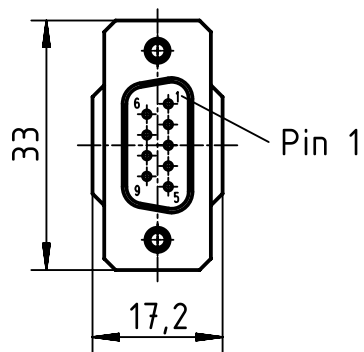
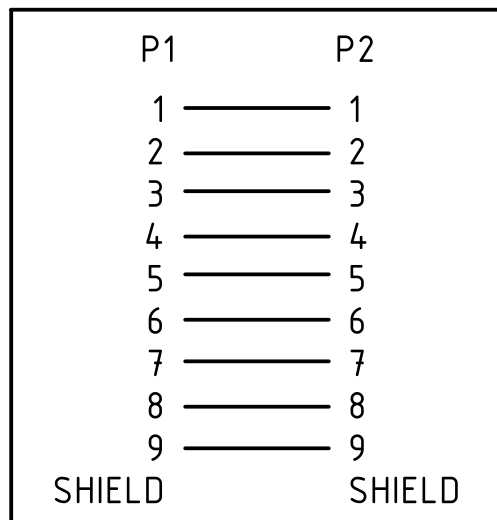


X DB9 M DB9 F Y
1:1 P1 P2 1:1

circuit diagram



	All rights reserved Department EL PD - DE	All Dimensions in mm Original Size DIN A4		Scale 1:2	Free size tol.	Ref. Sub.	
		Created by FINKEV	Inspected by BERGHORN	Standardisation RUETERA	Date 2014-12-09	State Final Release	
HARTING Electric GmbH & Co. KG D-32339 Espelkamp		Title Cable SUB-D9,f-m; 2 m				Doc-Key / ECM-Nr. 100093536/UGD/003/A 500000082786	
		Type TB	Number 39 50 903 0020			Rev. A	Page 1/1