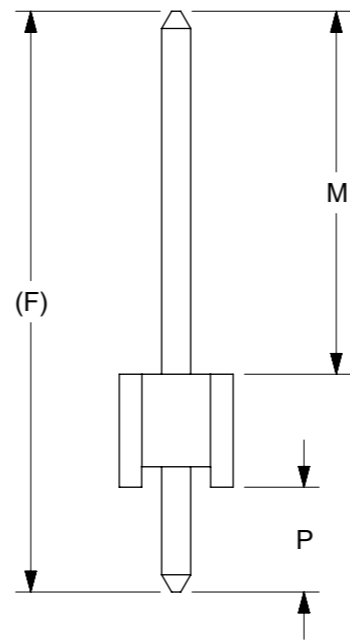
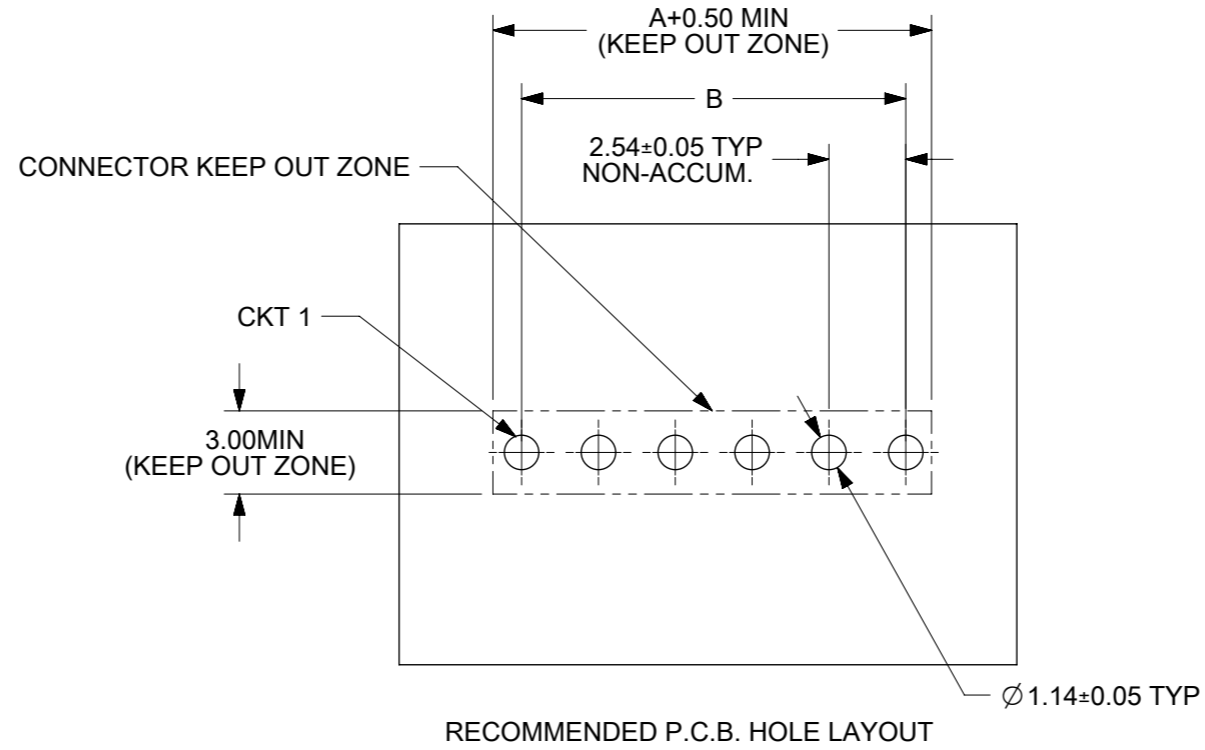
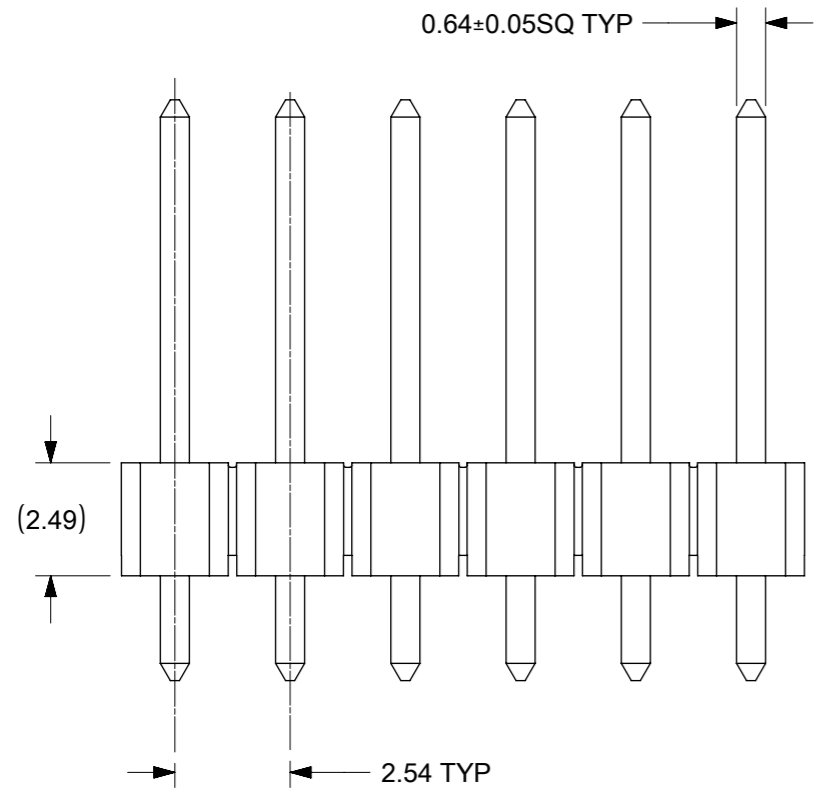
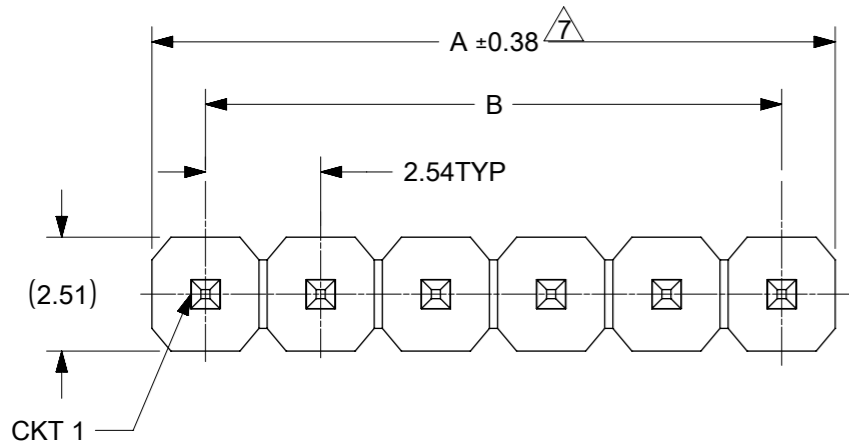


ASSEMBLY WITHOUT CAP

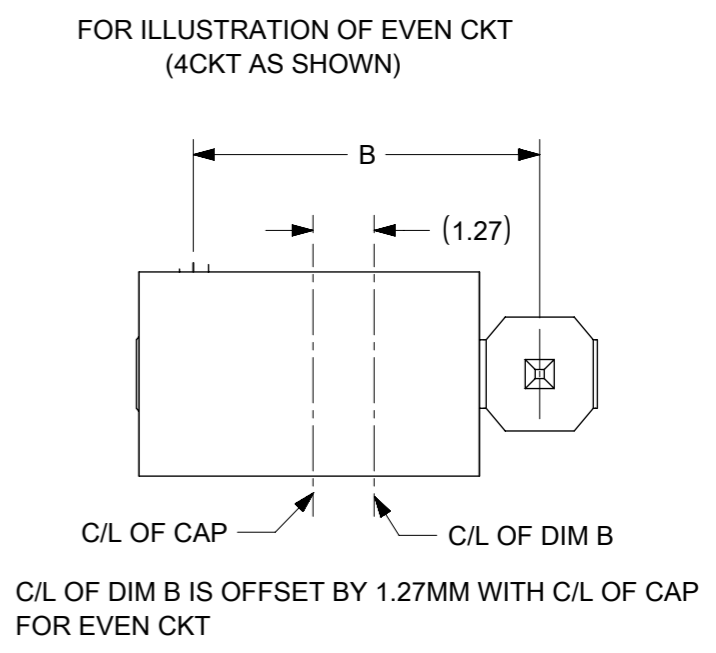
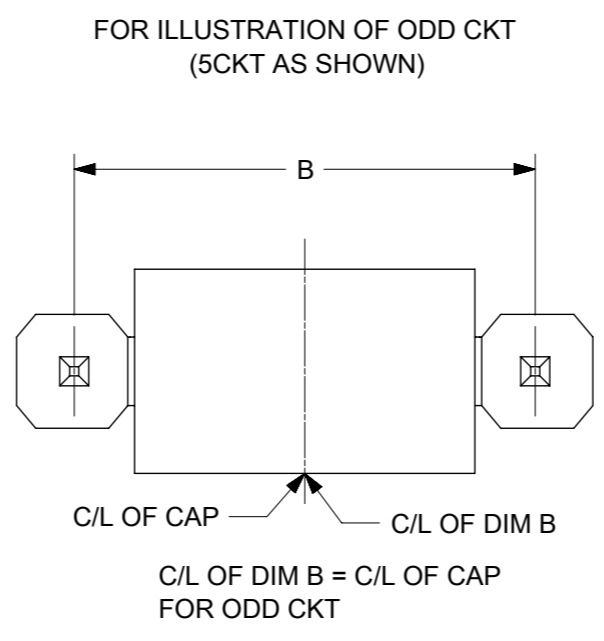
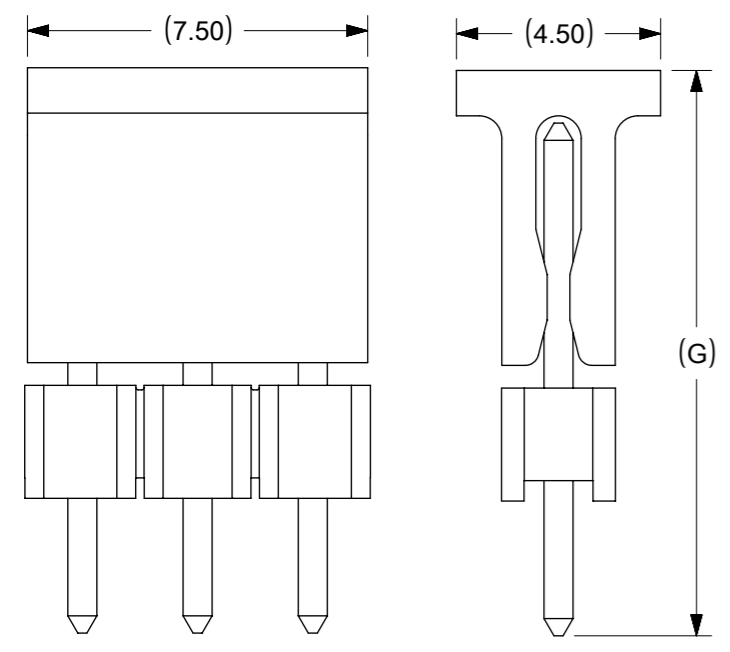


NOTES

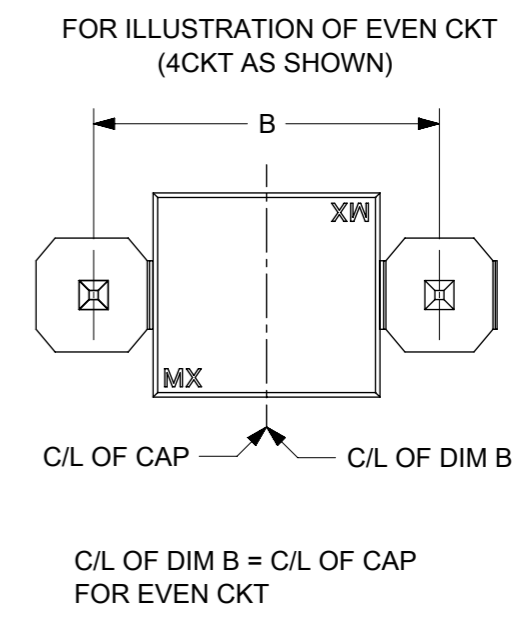
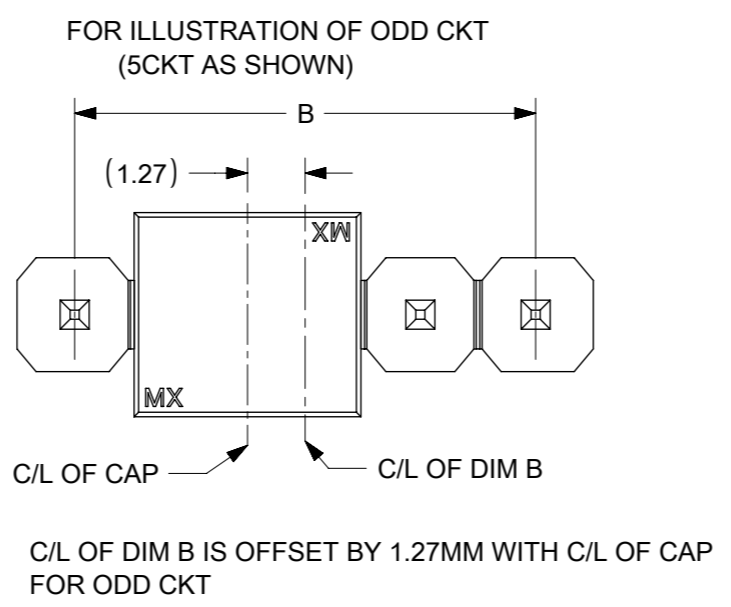
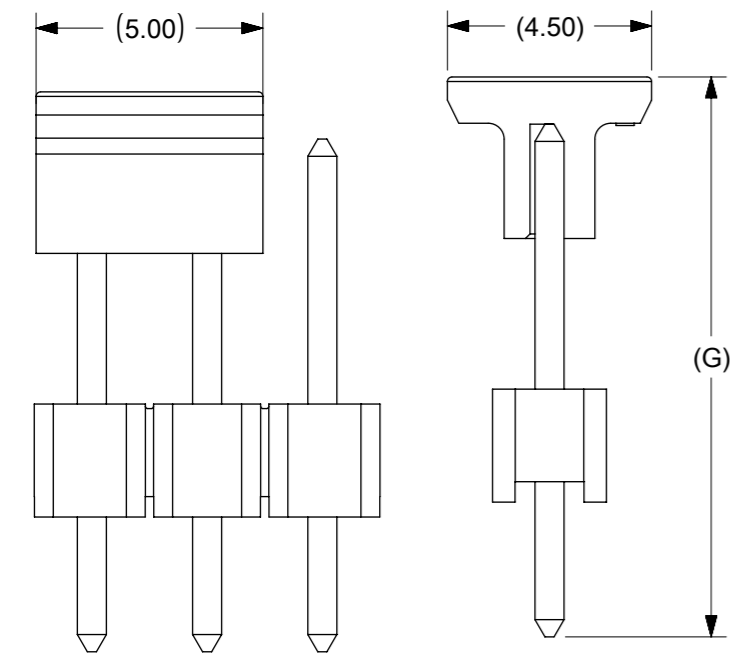
- MATERIAL:
HSG: NYLON, GLASS-FILLED, UL94V-0 COLOR: BLACK
PIN: 0.64MM SQ, COPPER ALLOY
- PLATING TYPE:
(1) GOLD FLASH OVER
1.25µm MIN. NICKEL OVERALL.
(2) GOLD FLASH ON CONTACT AND
2.50µm MIN. TIN ON SOLDER TAIL OVER
1.25µm MIN. NICKEL OVERALL.
(3) 0.38µm MIN. GOLD PLATE ON CONTACT AND
2.00µm MIN. TIN ON SOLDER TAIL OVER
1.25µm MIN. NICKEL OVERALL.
(4) 0.75µm MIN. GOLD PLATE ON CONTACT AND
2.00µm MIN. TIN ON SOLDER TAIL OVER
1.25µm MIN. NICKEL OVERALL.
(5) 2.50µm MIN TIN OVERALL
1.25µm MIN NICKEL OVERALL
- PRODUCT SPECIFICATION: PS-87920-019
- PACKAGING TYPE: SEE TABLE
- WAFER TO BE FLAT WITHIN 0.003 mm/mm
- RECOMMENDED PCB THICKNESS IS 1.60mm±0.10
- IRREGULAR CIRCUIT CUTOFF WITHIN BREAKAWAY SECTION IS PERMISSIBLE. CUTTING OR CHIPPING OF THE MAIN BODY IS NOT ACCEPTABLE
- THE ABOVE CKT 6 IS FOR ILLUSTRATION PURPOSE ONLY
- PACKAGING SPECIFICATION:
TRAY: PK-89990-489
BULK: PK-89990-491
T&R : PK-87898-400
TUBE: PK-89990-934
- REFER SHEET 2 FOR CAP LOCATION.

FUNCTIONAL SYMBOLS	THIS DRAWING CONTAINS INFORMATION THAT IS PROPRIETARY TO MOLEX ELECTRONIC TECHNOLOGIES, LLC AND SHOULD NOT BE USED WITHOUT WRITTEN PERMISSION		CURRENT REV DESC: PIN ADDED IN TABLE		molex				
	FA = 0	mm	NTS	GENERAL TOLERANCES (UNLESS SPECIFIED)					
DIVISIONAL SYMBOLS	FB = 0	MM		INCH		CUSTOMER DRAWING			
	FP = 0	4 PLACES ±	±	±	±	DOCUMENT NUMBER	DOC TYPE		
EC NO: 670360		DRWN: VIJAYS4		2021/07/07		SD-87891-001	PSD	000	D17
CHK'D: ABABUPS		APPR: MRAMAKRISHNA		2021/07/15					
INITIAL REVISION:		DRWN: KCHO		2004/03/24		SEE TABLE	GENERAL MARKET	1 OF 4	
ANGULAR TOL ± 3.0°		APPR: SLOW		2004/04/08					
DRAFT WHERE APPLICABLE MUST REMAIN WITHIN DIMENSIONS		THIRD ANGLE PROJECTION		DRAWING	SERIES	MATERIAL NUMBER	CUSTOMER	SHEET NUMBER	
		A3-SIZE		87891	SEE TABLE	GENERAL MARKET	1 OF 4		

CAP INFORMATION- CAP OPTION A



CAP INFORMATION- CAP OPTION B



FUNCTIONAL SYMBOLS	THIS DRAWING CONTAINS INFORMATION THAT IS PROPRIETARY TO MOLEX ELECTRONIC TECHNOLOGIES, LLC AND SHOULD NOT BE USED WITHOUT WRITTEN PERMISSION		CURRENT REV DESC: PIN ADDED IN TABLE			
	$\nabla_A = 0$ $\nabla_F = 0$ $\nabla_P = 0$	DIMENSION UNITS mm	SCALE NTS	GENERAL TOLERANCES (UNLESS SPECIFIED)		CUSTOM HEADER 2.54MM PITCH, SINGLE ROW SINGLE WAFER, T/H HEADER
DIVISIONAL SYMBOLS	4 PLACES ± ±		EC NO: 670360 DRWN: VIJAYS4 CHK'D: ABABUPS APPR: MRAMAKRISHNA		PRODUCT CUSTOMER DRAWING	
	3 PLACES ± ±		INITIAL REVISION: DRWN: KCHO APPR: SLOW			DOCUMENT NUMBER SD-87891-001
	2 PLACES ± 0.2 ±		2021/07/07 2021/07/15 2021/07/15			
	1 PLACE ± ±		2004/03/24 2004/04/08			DOC PART 000
0 PLACES ± ±		ANGULAR TOL ± 3.0°		REVISION D17		
DRAFT WHERE APPLICABLE MUST REMAIN WITHIN DIMENSIONS		THIRD ANGLE PROJECTION	DRAWING A3-SIZE		SERIES 87891	MATERIAL NUMBER SEE TABLE
DOCUMENT STATUS P1		RELEASE DATE 2021/07/15	10:39:19	CUSTOMER GENERAL MARKET	SHEET NUMBER 2 OF 4	

10		9		8		7		6		5		4		3		2		1	
CKT SIZE	DIMENSION		ASSY W/CAP IN T&R	ASSY W/O CAP IN T&R	ASSY W/O CAP IN TUBE	ASSY W/CAP IN TUBE	PART NO. W/O CAP IN TRAY PACKAGING	PART NO. IN BULK PACKAGING	CKT SIZE	VOID PIN	KINK PIN	(G)	DIMENSION			PLATING TYPE	CAP OPTION	REMARKS	
	A	B											OAL	MATING END	SOLDIER TAIL				
01	2.54	---											(F)	M	P				
02	5.08	2.54					87891-0108	-	01	-	-	-	10.80	5.08	3.23	5	-	-	
03	7.62	5.08					87891-1017	-	01	-	-	-	12.29	6.80	3.00	3	-	-	
04	10.16	7.62					87891-0200	-	02	-	-	-	11.76	6.09	3.18	5	-	-	
05	12.70	10.16					87891-0205	-	02	-	-	-	11.30	5.84	2.97	4	-	-	
06	15.24	12.70					87891-0206	-	02	-	-	-	11.30	5.84	2.97	5	-	-	
07	17.78	15.24	D17				87891-0211	-	02	-	-	-	11.30	5.84	2.97	5	-	-	
08	20.32	17.78					87891-0207	-	02	-	-	-	9.80	4.00	3.31	5	-	-	
09	22.86	20.32					87891-0208	-	02	-	-	-	7.49	4.00	1.00	2	-	-	
10	25.40	22.86	D17				87891-0209	-	02	-	-	-	10.80	5.08	3.23	5	-	-	
11	27.94	25.40					87891-0210	-	02	-	-	-	31.00	25.54	2.97	5	-	-	
12	30.48	27.94	D17				87891-0216	-	02	-	-	-	7.29	2.40	2.40	5	-	-	
13	33.02	30.48					87891-0212	-	02	-	-	-	18.37	12.68	3.20	5	-	-	
14	35.56	33.02					87891-0211	-	02	-	-	-	26.49	20.80	3.20	5	-	-	
15	38.10	35.56					87891-0214	-	02	-	-	-	19.49	13.00	4.00	5	-	-	
16	40.64	38.10					87891-0215	-	02	-	-	14.98	13.98	7.49	4.00	5	A	-	
17	43.18	40.64					87891-0213	-	02	-	-	-	12.14	5.84	3.81	4	-	-	
18	45.72	43.18					87891-0306	-	03	-	-	-	11.30	5.84	2.97	5	-	-	
19	48.26	45.72					87891-0308	-	03	-	-	-	11.30	5.84	2.97	5	-	-	
20	50.80	48.26					87891-0307	-	03	-	-	-	22.73	18.74	1.50	5	-	-	
21	53.34	50.80					87891-0003	-	03	2	-	-	13.72	9.65	1.78	6	-	-	
22	55.88	53.34	D17				87891-0312	-	03	-	-	-	11.30	5.84	2.97	4	-	-	
23	58.42	55.88					87891-0311	-	03	-	-	12.34	11.30	5.84	2.97	5	B	REFER RPK-87891-0311 (FOR 87891-0311)	
24	60.96	58.42					87891-0313	-	03	-	-	12.34	11.30	5.84	2.97	5	B	-	
25	63.50	60.96					-	-	03	-	-	-	6.49	2.00	2.00	5	-	-	
26	66.04	63.50					87891-0402	-	04	2	-	-	10.80	5.89	2.41	5	-	-	
27	68.58	66.04					87891-0004	-	04	-	-	-	35.10	29.71	3.10	6	-	-	
28	71.12	68.58	D17				87891-0411	-	04	-	-	-	10.09	4.00	3.60	5	-	-	
29	73.66	71.12	D17				87891-0407	-	04	-	-	-	9.80	4.00	3.31	5	-	-	
30	76.20	73.66					87891-0408	-	04	-	-	-	31.00	25.54	2.97	5	-	-	
31	78.74	76.20					87891-0418	-	04	-	-	-	12.14	6.75	2.90	5	-	REFER 878910418-RPK (FOR 87891-0418)	
32	81.28	78.74					87891-0417	-	04	-	-	16.31	15.11	9.01	3.61	5	A	-	
33	83.82	81.28					87891-0432	-	04	-	-	-	18.03	13.54	2.00	5	-	-	
34	86.36	83.82					87891-0430	-	04	-	-	-	13.09	8.00	2.80	5	A	-	
35	88.90	86.36	D17				87891-0500	-	05	-	-	-	11.94	6.10	3.30	5	-	-	
36	91.44	88.90					87891-0505	-	05	-	-	-	11.94	6.10	3.30	5	-	-	
37	93.98	91.44	D17																
38	96.52	93.98																	
39	99.06	96.52																	
40	101.60	99.06	D17																

FUNCTIONAL SYMBOLS	THIS DRAWING CONTAINS INFORMATION THAT IS PROPRIETARY TO MOLEX ELECTRONIC TECHNOLOGIES, LLC AND SHOULD NOT BE USED WITHOUT WRITTEN PERMISSION	
DIMENSION UNITS	SCALE	CURRENT REV DESC: PIN ADDED IN TABLE
$\nabla_A = 0$	mm	NTS
$\nabla_B = 0$	GENERAL TOLERANCES (UNLESS SPECIFIED)	
$\nabla_P = 0$	MM	INCH
DIVISIONAL SYMBOLS	4 PLACES ±	±
	3 PLACES ±	±
	2 PLACES ±	0.2 ±
	1 PLACE ±	±
	0 PLACES ±	±
	ANGULAR TOL ±	3.0°
	DRAFT WHERE APPLICABLE MUST REMAIN WITHIN DIMENSIONS	THIRD ANGLE PROJECTION
		DRAWING SERIES
		MATERIAL NUMBER CUSTOMER
		SHEET NUMBER

EC NO: 670360	2021/07/07
DRWN: VIJAYS4	2021/07/15
CHK'D: ABABUPS	2021/07/15
APPR: MRAMAKRISHNA	2021/07/15
INITIAL REVISION:	
DRWN: KCHO	2004/03/24
APPR: SLOW	2004/04/08

molex			
CUSTOM HEADER			
2.54MM PITCH, SINGLE ROW SINGLE WAFER, T/H HEADER			
PRODUCT CUSTOMER DRAWING			
DOCUMENT NUMBER	DOC TYPE	DOC PART	REVISION
SD-87891-001	PSD	000	D17
SEE TABLE	GENERAL MARKET		3 OF 4

F	ASSY W/CAP IN T&R	ASSY W/O CAP IN T&R	ASSY W/O CAP IN TUBE	ASSY W/CAP IN TUBE	PART NO. W/O CAP IN TRAY PACKAGING	PART NO. IN BULK PACKAGING	CKT SIZE	VOID PIN	KINK PIN	(G)			PLATING TYPE	CAP OPTION	REMARKS	
											OAL	MATING END				
											(F)	M				
-	-	-	-	-	87891-0501	-	05	-	-	-	13.62	8.08	3.05	5	-	-
-	-	-	-	-	87891-0502	-	05	2	-	-	10.80	5.89	2.41	5	-	-
-	-	-	-	-	87891-0503	-	05	2	-	-	45.00	13.51	29.00	5	-	-
-	-	-	-	-	87891-0504	-	05	2	-	-	45.00	13.51	29.00	3	-	-
-	-	-	-	-	87891-0507	-	05	4	-	-	10.92	5.84	2.59	3	-	-
-	-	-	-	-	-	87891-0508	05	2,4	-	-	11.38	5.84	3.05	5	-	-
-	-	-	-	-	87891-0522	-	05	2&4	-	-	19.49	13.00	4.00	5	-	-
-	-	-	-	-	87891-0516	-	05	-	-	-	32.49	16.00	14.00	4	-	-
-	-	-	-	-	87891-0517	-	05	-	-	-	23.62	17.32	3.81	5	-	-
-	-	-	-	-	87891-0523	-	05	-	-	-	7.29	2.40	2.40	5	-	-
-	87891-0521	-	-	-	-	-	05	-	-	10.10	9.89	2.80	4.60	5	A	-
-	-	-	-	-	87891-0601	-	06	-	-	-	11.30	5.84	2.97	1	-	-
-	-	-	-	-	87891-0602	-	06	-	-	-	12.80	8.00	2.31	5	-	-
-	-	-	-	-	87891-0606	-	06	-	-	-	11.30	5.84	2.97	5	-	-
-	-	-	-	-	87891-0610	-	06	-	-	-	11.30	5.84	2.97	5	-	-
-	-	-	-	-	87891-0607	-	06	-	-	-	13.75	8.08	3.18	5	-	-
-	-	-	-	-	87891-0608	-	06	-	-	-	18.03	13.54	2.00	5	-	-
-	-	-	-	-	87891-0609	-	06	-	-	-	28.30	22.16	3.65	5	-	-
-	-	-	-	-	87891-0611	-	06	-	-	-	28.30	22.16	3.65	5	-	-
87891-0613	-	-	-	-	-	-	06	-	-	22.99	21.99	16.00	3.50	5	A	-
-	-	-	-	-	87891-0615	-	06	-	-	-	14.49	10.00	2.00	1	-	-
-	-	-	-	-	87891-0624	-	06	-	-	-	26.10	19.81	3.80	5	-	-
-	-	-	-	-	87891-0700	-	07	-	-	-	11.94	6.10	3.30	5	-	-
-	-	-	-	-	87891-0702	-	07	-	-	-	11.94	6.10	3.30	5	-	-
-	-	-	-	-	87891-0751	-	07	-	-	-	13.74	8.00	3.25	5	-	-
87891-0007	-	-	-	-	-	-	07	-	-	-	13.72	9.65	1.78	6	-	-
-	-	-	-	-	87891-0851	-	08	-	-	-	13.74	8.00	3.25	5	-	-
87891-0807	-	-	-	-	-	-	08	-	-	13.59	12.59	7.90	2.20	5	A	-
-	-	-	-	-	87891-0808	-	08	-	-	-	20.53	13.72	4.32	3	-	-
-	-	-	-	-	87891-0809	-	08	-	-	-	11.30	5.84	2.97	5	-	-
-	-	-	-	-	-	87891-2601	26	4,7,17	-	-	11.13	5.59	3.05	3	-	-
87891-1817	-	-	-	-	-	-	18	-	-	18.36	17.20	13.21	1.50	5	A	-
87891-1819	-	-	-	-	-	-	18	-	-	18.36	17.20	13.21	1.50	5	A	-
87891-1818	-	-	-	-	-	-	18	-	-	18.36	17.20	13.21	1.50	3	A	-
-	-	-	-	-	87891-2007	-	20	-	-	-	21.49	9.50	9.50	1	-	-
87891-2817	-	-	-	-	-	-	28	-	-	18.36	17.20	13.21	1.50	5	A	-
87891-2819	-	-	-	-	-	-	28	-	-	18.36	17.20	13.21	1.50	5	A	-
87891-2818	-	-	-	-	-	-	28	-	-	18.36	17.20	13.21	1.50	3	A	-
-	-	-	-	-	-	87891-3007	30	-	-	-	11.30	5.84	2.97	5	-	-
-	-	-	-	-	-	87891-3600	36	-	-	-	11.56	6.09	3.18	2	-	-
-	-	-	-	-	-	87891-4008	40	-	-	-	11.30	5.84	2.97	5	-	-
-	-	87891-4007	-	-	-	-	40	-	-	-	12.14	5.84	3.81	3	-	-

D17

D17

D17

D17

D17

D17

FUNCTIONAL SYMBOLS										THIS DRAWING CONTAINS INFORMATION THAT IS PROPRIETARY TO MOLEX ELECTRONIC TECHNOLOGIES, LLC AND SHOULD NOT BE USED WITHOUT WRITTEN PERMISSION																								
$\nabla_A = 0$ $\nabla_F = 0$ $\nabla_P = 0$					DIMENSION UNITS: mm SCALE: NTS					CURRENT REV DESC: PIN ADDED IN TABLE					 CUSTOM HEADER 2.54MM PITCH, SINGLE ROW SINGLE WAFER, T/H HEADER																			
DIVISIONAL SYMBOLS					GENERAL TOLERANCES (UNLESS SPECIFIED)					EC NO: 670360 DRWN: VIJAYS4 CHK'D: ABABUPS APPR: MRAMAKRISHNA																								
					4 PLACES ± 3 PLACES ± 2 PLACES ± 0.2 1 PLACE ± 0 PLACES ±					2021/07/07 2021/07/15 2021/07/15					PRODUCT CUSTOMER DRAWING																			
					DRAFT WHERE APPLICABLE MUST REMAIN WITHIN DIMENSIONS					INITIAL REVISION: DRWN: KCHO APPR: SLOW					2004/03/24 2004/04/08																			
DOCUMENT STATUS					P1					RELEASE DATE					2021/07/15 10:39:19																			
THIRD ANGLE PROJECTION 										DRAWING					SERIES					MATERIAL NUMBER					CUSTOMER					SHEET NUMBER				
										A3-SIZE					87891					SEE TABLE					GENERAL MARKET					4 OF 4				