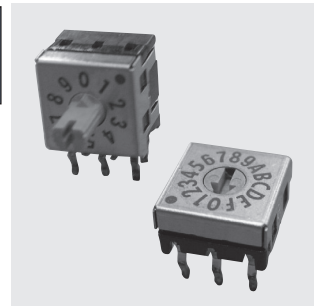


DRS·DRR 7000C 8000C

Washable

Hyper-Miniature Dip Rotary Switches (7.5mm sq.) (PC Mount)



RoHS Compliant

■ Features

1. **Hyper-miniature Size(7.5mm sq.)**
Designed for high density mounting.
2. **Process Sealed**
3. **Gold Plated Contacts**
4. **Clearly Visible Legends and Position Indicator**

■ Specifications

Rating	Switching	Max.	30mA 15VDC
		Min.	1μA 20mVDC
	Non-switching		100mA 50VDC
Contact resistance		100mΩ maximum	
Dielectric strength		250VAC, 60s	
Insulation resistance		1,000MΩ minimum (100VDC)	
Load life		20,000 steps 30mA 15VDC	
Operating torque		49mN·m [500gf·cm] maximum	
Operating temperature range		-25~+85°C	
Storage temperature range		-40~+85°C	

■ Part Numbering

DR	S	7	0	10	C
Series code	Terminals	Actuators	Circuits	Number of positions	Structure
S Straight		7 Screwdriver Actuator	0 Real code	10 10 positions	
R Right angle		8 Shaft Actuator	1 Complementary code	16 16 positions	

■ 品種一覧表 / Table of Part Numbers

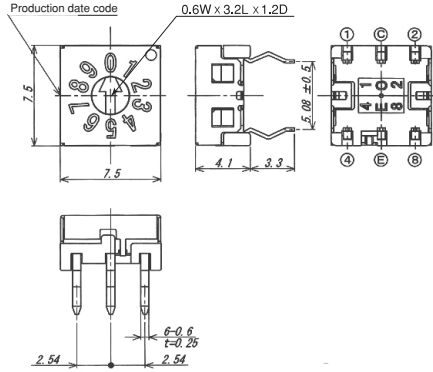
Circuit function	positions	Actuators	Screwdriver Actuator		Shaft Actuator	
		Terminal style	PC Straight	Right-Angle	Straight	Right Angle
Real code	10		DRS7010C	DRR7010C	DRS8010C	★ DRR8010C
	16		DRS7016C	DRR7016C	DRS8016C	DRR8016C
Complementary code	10		DRS7110C	DRR7110C	★ DRS8110C	★ DRR8110C
	16		DRS7116C	DRR7116C	DRS8116C	★ DRR8116C

★ : Made-to-order products.

DRS7010C
DRS7110C



Straight



Terminal numbers are shown on the bottom of the switch.

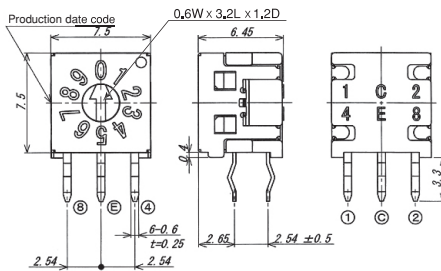
● Real code Actuator color : Yellow

Part No.	Position	Terminal #			
		1	2	4	8
DRS7010C DRR7010C	0				
	1	●			
	2		●		
	3	●	●		
	4			●	
	5	●		●	
	6		●	●	
	7	●	●	●	
	8				●
9	●			●	

DRR7010C
DRR7110C



Right Angle



Terminal numbers are shown on the bottom of the switch.

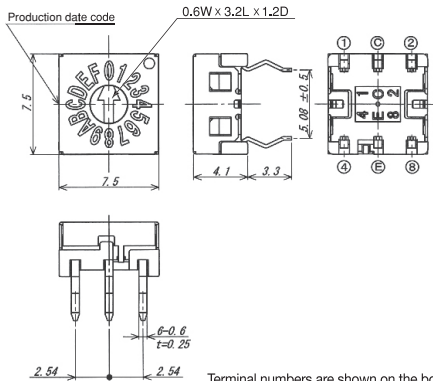
● Complementary code Actuator color : Red

Part No.	Position	Terminal #			
		1	2	4	8
DRS7110C DRR7110C	0	●	●	●	●
	1		●	●	●
	2	●		●	●
	3			●	●
	4	●	●		●
	5		●		●
	6	●			●
	7				●
	8	●	●	●	
9		●	●		

DRS7016C
DRS7116C



Straight



Terminal numbers are shown on the bottom of the switch.

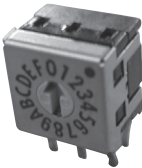
● Real code Actuator color : Yellow

Part No.	Position	Terminal #			
		1	2	4	8
DRS7016C DRR7016C	0				
	1	●			
	2		●		
	3	●	●		
	4			●	
	5	●		●	
	6		●	●	
	7	●	●	●	
	8				●
	9	●			●
	A		●		●
	B	●	●		●
	C			●	●
D	●		●	●	
E		●	●	●	
F	●	●	●	●	

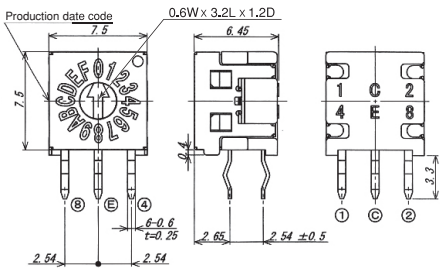
● Complementary code Actuator color : Red

Part No.	Position	Terminal #			
		1	2	4	8
DRS7116C DRR7116C	0	●	●	●	●
	1		●	●	●
	2	●		●	●
	3			●	●
	4	●	●		●
	5		●		●
	6	●			●
	7				●
	8	●	●	●	
	9		●	●	
	A	●		●	
	B		●		●
	C	●	●		
D		●			
E	●				
F					

DRR7016C
DRR7116C

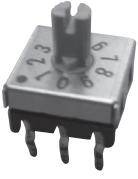


Right Angle

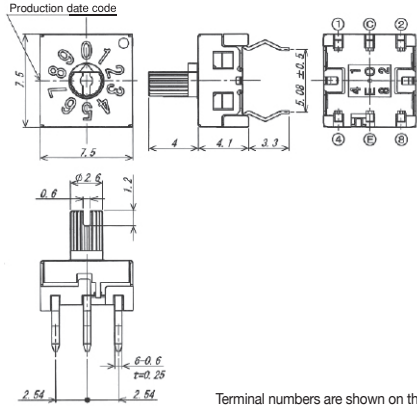


Terminal numbers are shown on the bottom of the switch.

DRS8010C
DRS8110C



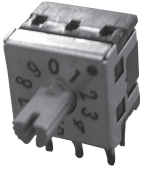
Straight



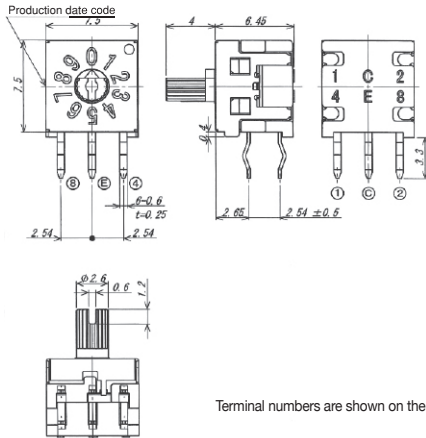
● Real code Actuator color : Yellow

Part No.	Position	Terminal #			
		1	2	4	8
DRS8010C DRR8010C	0				
	1	●			
	2		●		
	3	●	●		
	4			●	
	5	●		●	
	6		●	●	
	7	●	●	●	
	8				●
	9	●			●

DRR8010C
DRR8110C



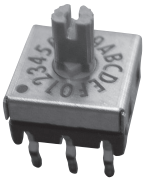
Right Angle



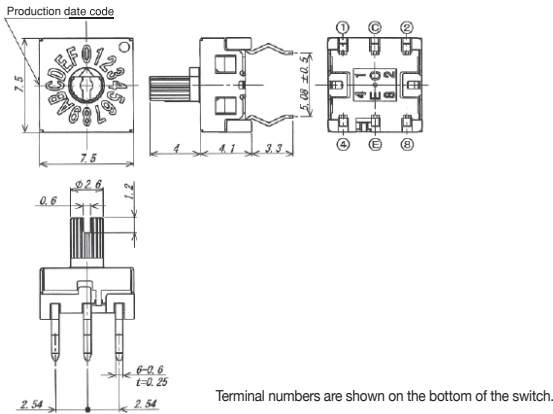
● Complementary code Actuator color : Red

Part No.	Position	Terminal #			
		1	2	4	8
DRS8110C DRR8110C	0	●	●	●	●
	1		●	●	●
	2	●		●	●
	3			●	●
	4	●	●		●
	5		●		●
	6	●			●
	7				●
	8	●	●	●	
	9		●	●	

DRS8016C
DRS8116C



Straight



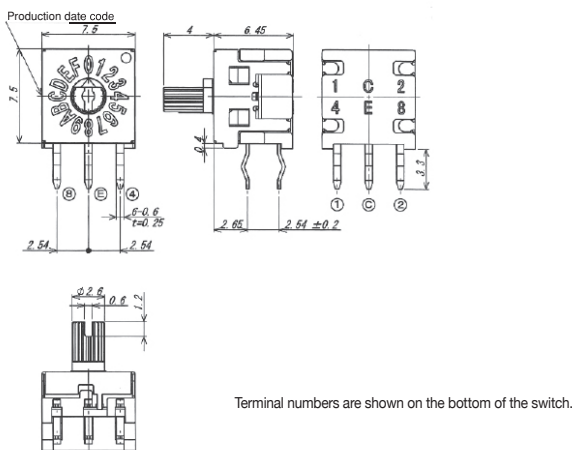
● Real code Actuator color : Yellow

Part No.	Position	Terminal #			
		1	2	4	8
DRS8016C DRR8016C	0				
	1	●			
	2		●		
	3	●	●		
	4			●	
	5	●		●	
	6		●	●	
	7	●	●	●	
	8				●
	9	●			●
	A		●		●
	B	●	●		●
	C			●	●
	D	●		●	●
	E		●	●	●
	F	●	●	●	●

DRR8016C
DRR8116C



Right Angle



● Complementary code Actuator color : Red

Part No.	Position	Terminal #			
		1	2	4	8
DRS8116C DRR8116C	0	●	●	●	●
	1		●	●	●
	2	●		●	●
	3			●	●
	4	●	●		●
	5		●		●
	6	●			●
	7				●
	8	●	●	●	
	9		●	●	
	A	●		●	
	B		●		●
	C	●	●		
	D		●		
	E	●			
	F				

■ PCB Footprints

(Top view)

Terminal style	Straight	Right Angle
Footprint dimensions		

■ Packaging Specifications

Series	DRS7000C/8000C	DRR7000C/8000C
Stick-Tube Specifications		

※Order in 50 piece increments.

■ Soldering Specifications

- (1) Manual Soldering
350°C, 3 sec. Max
- (2) Flow
245~260°C, Max.; 3 to 5 seconds (One time)
Total dip time within 10 sec.

■ Flux Cleaning

After soldering, wait until the switches cool down to room temperature (30°C or below) before washing. If the switches are cleaned while still above 30°C, a vacuum will occur which will cause the cleaning solution to be sucked into the switches.

■ Switch Operation

Use a screwdriver for setting position of the actuator.