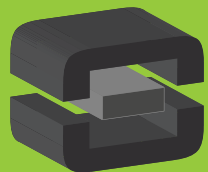


From Off-The-Shelf to Market-Ready© New Age Enclosures is your Single Source Solution.
Let us quote modifying our Stock Enclosures to meet your end-use.
visit newageenclosures.com/services or call 855-4NA-ENCL today.

CNC CUTOUTS
PART DECORATING
CUSTOM COLOR AND MATERIAL
RF/EMI SHIELDING
CUSTOM TOOL INSERTS
CUSTOM ENCLOSURES AND DESIGN



NEW AGE
ENCLOSURES

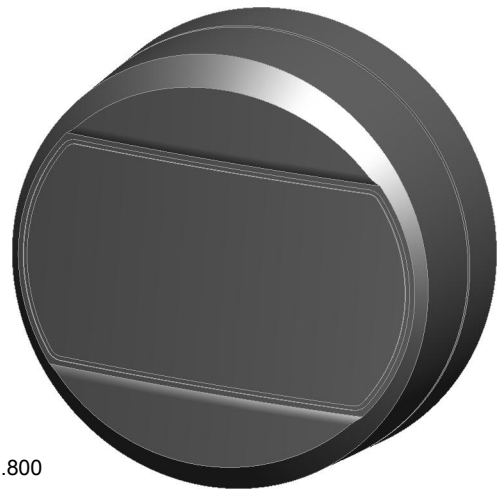
DEVELOP THE FUTURE



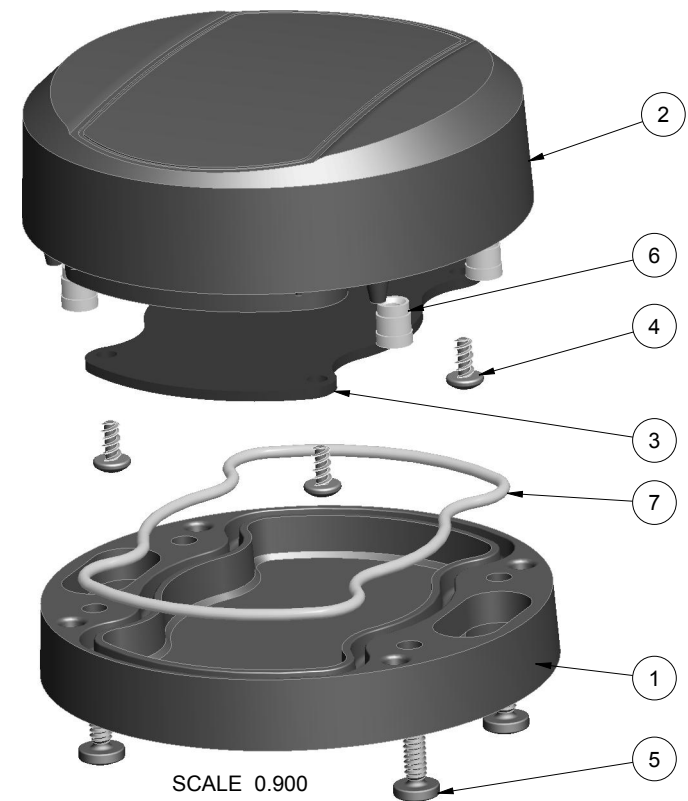
NOTES: UNLESS OTHERWISE SPECIFIED

- CORNERS DRAWN SHARP TO BE R.005 MAXIMUM.
- EXTERIOR SURFACE TEXTURE TO BE LIGHT EDM FINISH. EQUIVALENT TO MT-11010. TEXTURE ON ENCLOSURE WILL VARY FROM TIME TO TIME AS THE TOOL WEARS AND IT BECOMES NECESSARY TO REAPPLY.
- INTERIOR SURFACE TEXTURE TO BE: NONE.
- ALL INSIDE RADII .010R. UNLESS OTHERWISE SPECIFIED.
- ALL EXTERNAL DIMENSIONS AFFECTED BY THE DRAFT APPLY AT THE LARGE END OF THE FEATURE, AND ALL INTERNAL FEATURES AFFECTED BY THE DRAFT APPLY AT THE SMALL END OF THE FEATURE UNLESS OTHERWISE SPECIFIED.
- 1 DEGREE DRAFT IN THE DIRECTION OF PULL IS PERMISSIBLE UNLESS OTHERWISE SPECIFIED.
- MATERIAL / COLOR: ASA PLASTIC IS STANDARD IN BLACK OR GRAY. CUSTOM MATERIALS AND COLORS ARE AVAILABLE UPON REQUEST FOR QUOTE. ALTERNATE RESINS HAVE DIFFERENT SHRINK RATES, AND WILL EFFECT DIMENSIONS.
- PCB SIZES ARE RECOMMENDATIONS ONLY. FINAL SIZES AND VERIFICATION OF ITS FIT ARE THE SOLE RESPONSIBILITY OF EACH CUSTOMER.
- ASSEMBLY SCREWS FOR THE ENCLOSURE INCLUDED. MOUNTING SCREWS FOR THE PCB ARE SOLD SEPARATELY.
- THIS DRAWING IS BASED ON A SOLID MODEL, AND IS FURTHER DEFINED BY THE SOLID MODEL FILE.
- ALLOWABLE FLASH: 0.010 MAX.
- ALL EJECTOR PIN MARKS TO BE WITHIN 0.010" OF FLUSH, PROTRUDING OR BELOW FLUSH.
- THIS ENCLOSURE IS DESIGNED FOR OUTDOOR USE AND MEETS IPX7 INGRESS PROTECTION STANDARD.

| R E V I S I O N | | | | | |
|-----------------|----------|---------|--|-------------|---------|
| REV. | DRAWN BY | ECO No | DESCRIPTION | DATE | APPROVE |
| A | M BOYER | DR XXXX | PRELIMINARY RELEASE | 2017-Jun-27 | D.C. |
| B | M BOYER | | REPLACED DOMED COVER WITH CURVED COVER | 2017-Jul-13 | D.C. |
| C | M BOYER | | REVISE ORING PATH | 2017-Sep-08 | D.C. |
| D | M BOYER | | UPDATE FEET HEIGHT | 2018-Jan-09 | D.C. |
| E | M BOYER | | UPDATE HEIGHT AND ADD STRAP | 2018-Mar-08 | D.C. |
| F | M BOYER | | ADAPT GENERIC FEATURES FOR NAE LINE | 2018-Mar-19 | D.C. |
| G | M BOYER | | UPDATE TEXTURE INFORMATION | 2018-Apr-03 | D.C. |
| H | M BOYER | | REVISE TITLE OF DRAWING | 2018-Apr-06 | D.C. |
| I | R CRUZ | | UPDATE TO #037 O-RING | 2018-Apr-25 | D.C. |
| 1.0 | R CRUZ | 02219 | UPDATE TO AS-BUILT AND RELEASE | 2019-Aug-08 | |



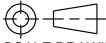
SCALE 0.800



SCALE 0.900

| ITEM | FILE NAME | DESCRIPTION | MATERIAL | COLOR | QTY. |
|------|---------------------|-----------------------------|-----------------|-------------------|------|
| 7 | 303013-ORING | #037 O-RING | SILICONE 70A | VARIES | 1 |
| 6 | PEM-INSERT_6-32 | PEM INSERT 6-32 x .250" | BRASS | OVER MOLDED | 4 |
| 5 | 6-32_PHILLIPS_SCREW | 6-32 PHILLIPS SCREW x .500" | STAINLESS STEEL | MMC 91772A146 | 4 |
| 4 | SCREW_HILO-N04X250 | #4 HiLo SCREW x .250" | ZINC PLATED | CUSTOMER SUPPLIED | 4 |
| 3 | 303013-PCB | 303013 PCB - REFERENCE | .062" THICK | CUSTOMER SUPPLIED | 1 |
| 2 | 303013-COVER | 303013 COVER - STANDARD | ASA | BLACK or GRAY | 1 |
| 1 | 303013-BASE | 303013 BASE - STANDARD | ASA | BLACK or GRAY | 1 |

BILL OF MATERIALS

THIRD ANGLE PROJECTION

 DO NOT SCALE DRAWING

TOLERANCES: UNLESS OTHERWISE SPECIFIED DIMENSIONS ARE IN U.S. INCHES.
 X.XX = .015 X.XXXX = .001
 X.XXX = .010 X.X" = 1°

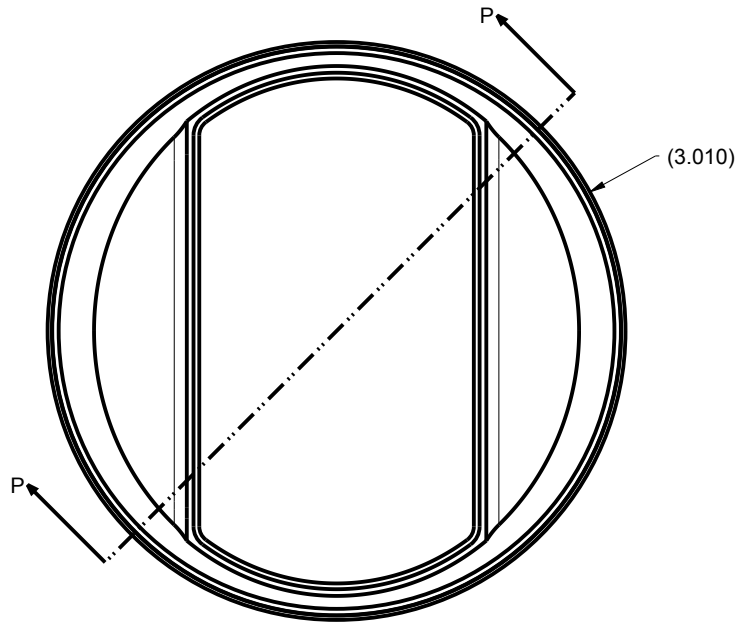
NEW AGE ENCLOSURES
 Customer's Part No: 303013

NEW AGE ENCLOSURES
 2240 South Thornburg Street Santa Maria, CA. 93455
 ph. (805) 595-1310 fax (805) 595-1024
www.newageenclosures.com

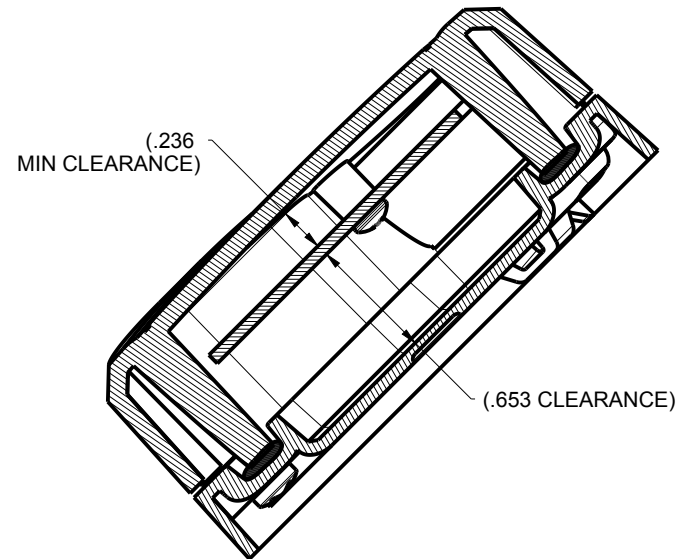
| | | |
|----------|-------------|------|
| APPROVAL | BY | DATE |
| CHECK | | |
| ENG. | | |
| SCALE | AS NOTED | |
| DRAWN BY | 2017-Jun-27 | |
| M BOYER | | |

| | | |
|------------------------------------|--------------|--------|
| 3" ROUND OUTDOOR - STANDARD | | |
| SXX-303013-XXX | | |
| SIZE | DRAWING NAME | SHEET |
| A | 303013_R1_0 | 1 OF 8 |
| REV.DOC | | 1.0 |

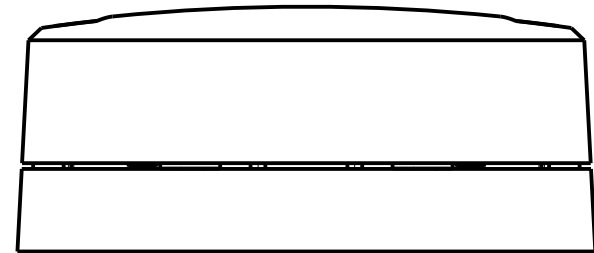
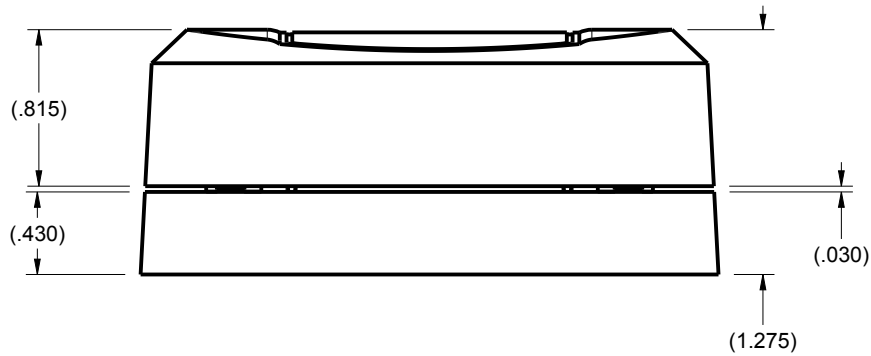
303013 ASSEMBLY



SCALE 1.000



SECTION P-P
SCALE 1.000



TOLERANCES: UNLESS OTHERWISE SPECIFIED
DIMENSIONS ARE IN U.S. INCHES.
X.XX = .015 X.XXXX = .001
X.XXX = .010 X.X° = 1°

NEW AGE ENCLOSURES

Customer's Part No: 303013

| | | |
|----------|----------|------|
| APPROVAL | BY | DATE |
| CHECK | | |
| ENG. | | |
| SCALE | AS NOTED | |

DRAWN BY
M BOYER 2017-Jun-27

NEW AGE ENCLOSURES
2240 South Thornburg Street Santa Maria, CA. 93455
ph. (805) 595-1310 fax (805) 595-1024

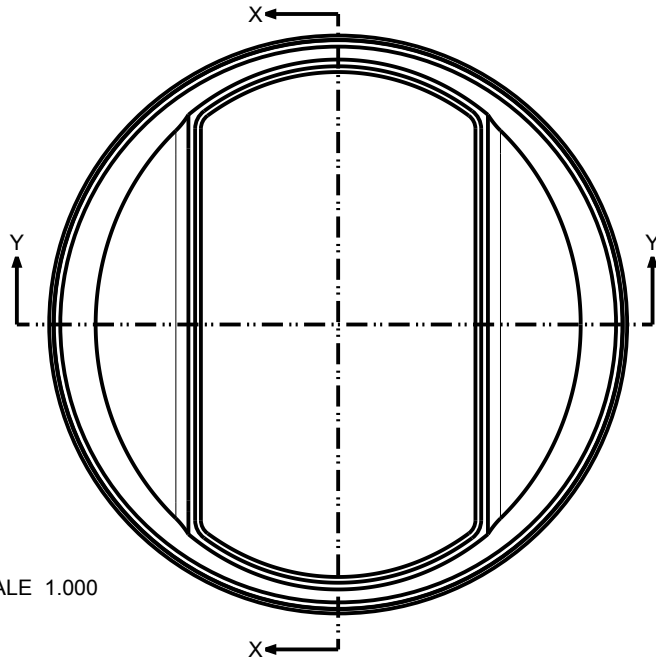
www.newageenclosures.com

3" ROUND OUTDOOR - STANDARD
SXX-303013-XXX

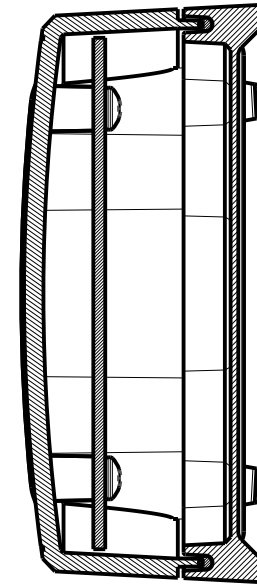
SIZE A DRAWING NAME
303013_R1_0

SHEET 2 OF 8 REV.DOC 1.0

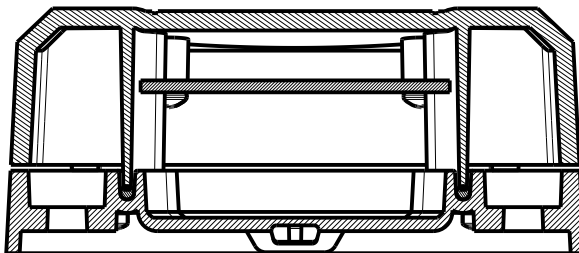
303013 ASSEMBLY



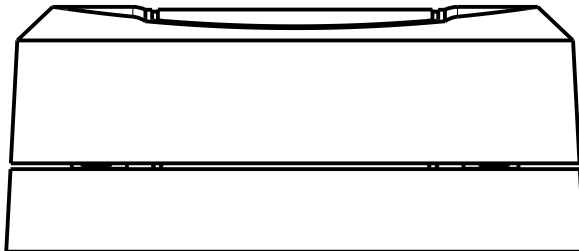
SCALE 1.000



SECTION X-X



SECTION Y-Y



TOLERANCES: UNLESS OTHERWISE SPECIFIED
DIMENSIONS ARE IN U.S. INCHES.
X.XX = .015 X.XXXX = .001
X.XXX = .010 X.X° = 1°

NEW AGE ENCLOSURES

Customer's Part No: 303013

APPROVAL BY DATE

CHECK

ENG.

SCALE AS NOTED

DRAWN BY M BOYER 2017-Jun-27

NEW AGE ENCLOSURES

2240 South Thornburg Street Santa Maria, CA. 93455
ph. (805) 595-1310 fax (805) 595-1024

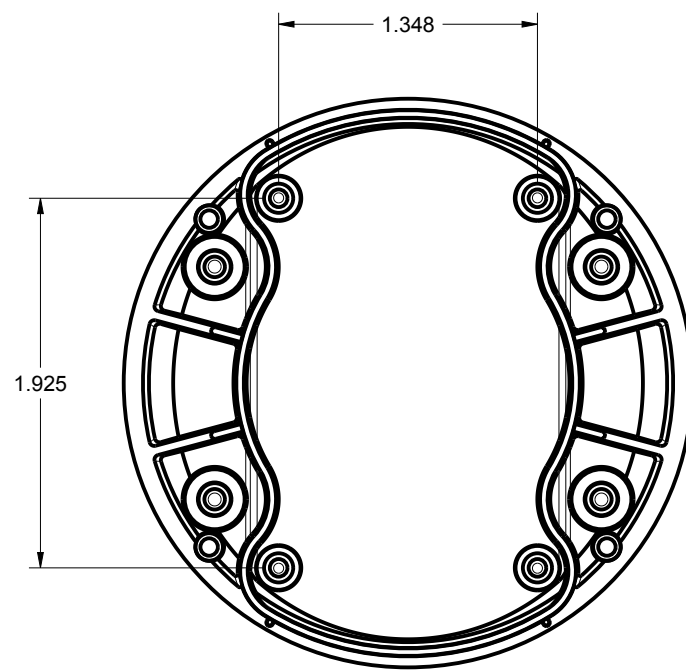
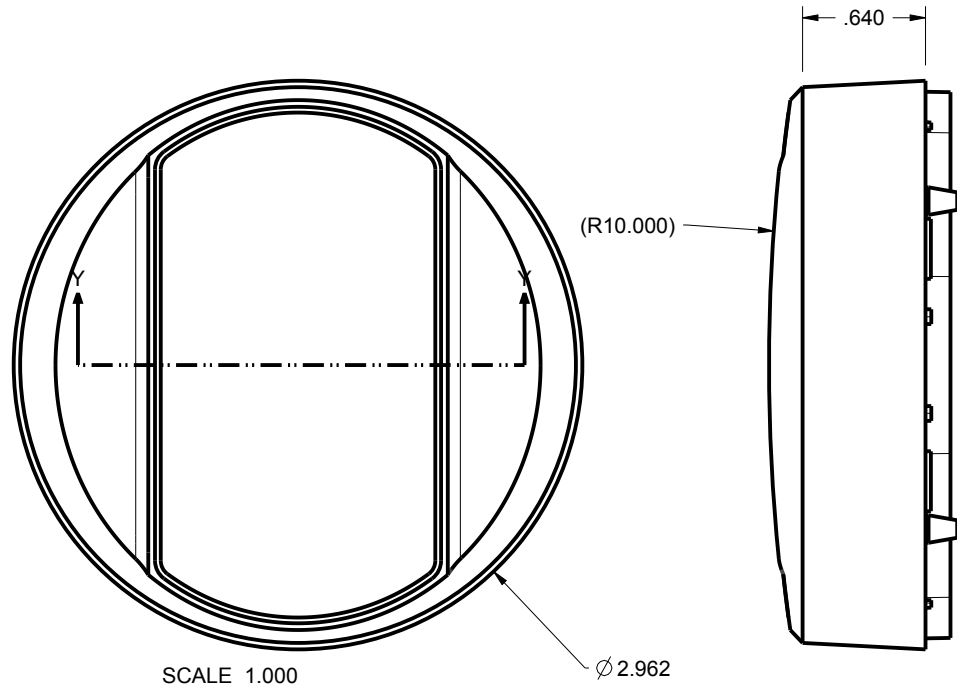
www.newageenclosures.com

3" ROUND OUTDOOR - STANDARD
SXX-303013-XXX

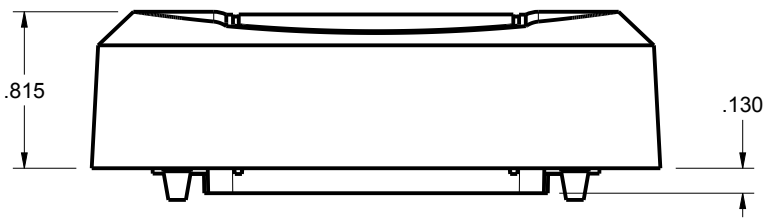
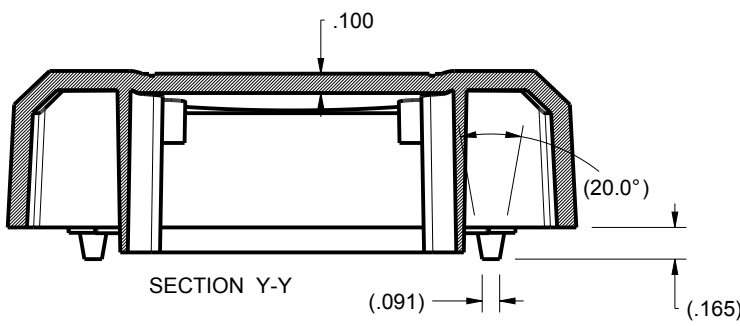
SIZE A DRAWING NAME 303013_R1_0

SHEET 3 OF 8 REV.DOC 1.0

303013 COVER



SCALE 1.000



TOLERANCES: UNLESS OTHERWISE SPECIFIED DIMENSIONS ARE IN U.S. INCHES.
 X.XX = .015 X.XXXX = .001
 X.XXX = .010 X.X° = 1°

NEW AGE ENCLOSURES
 Customer's Part No: 303013

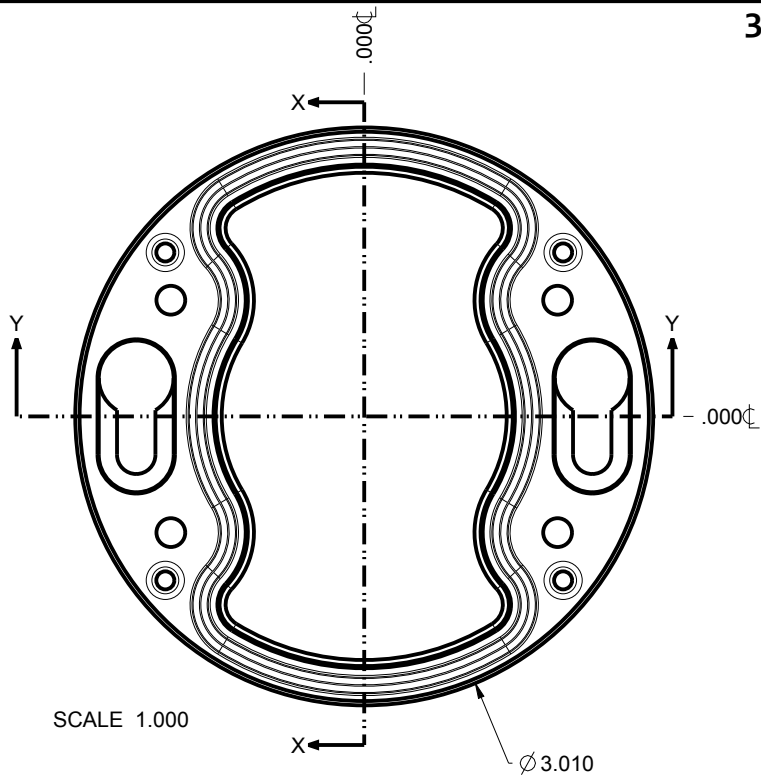
| | | |
|----------|-------------|------|
| APPROVAL | BY | DATE |
| CHECK | | |
| ENG. | | |
| SCALE | AS NOTED | |
| DRAWN BY | M BOYER | |
| | 2017-Jun-27 | |

NEW AGE ENCLOSURES
 2240 South Thornburg Street Santa Maria, CA. 93455
 ph. (805) 595-1310 fax (805) 595-1024
www.newageenclosures.com

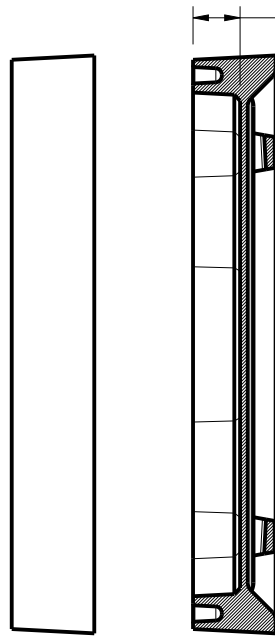
3" ROUND OUTDOOR - STANDARD
 SXX-303013-XXX

| | | | |
|------|--------------|--------|---------|
| SIZE | DRAWING NAME | SHEET | REV.DOC |
| A | 303013_R1_0 | 4 OF 8 | 1.0 |

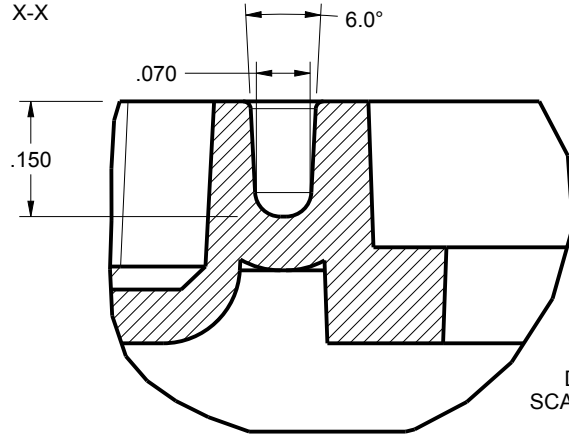
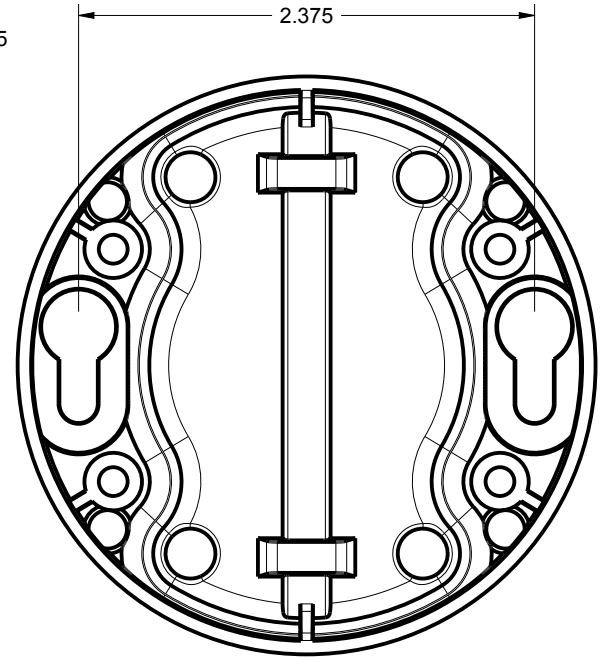
303013 BASE



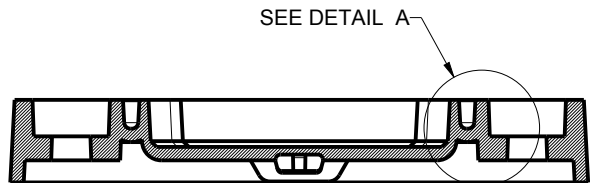
SCALE 1.000



SECTION X-X



DETAIL A
SCALE 4.000



SECTION Y-Y

TOLERANCES: UNLESS OTHERWISE SPECIFIED
DIMENSIONS ARE IN U.S. INCHES.

X.XX = .015 X.XXXX = .001
X.XXX = .010 X.X° = 1°

NEW AGE ENCLOSURES

Customer's Part No: 303013

| | | |
|----------|----------|------|
| APPROVAL | BY | DATE |
| CHECK | | |
| ENG. | | |
| SCALE | AS NOTED | |

DRAWN BY
M BOYER 2017-Jun-27

NEW AGE ENCLOSURES

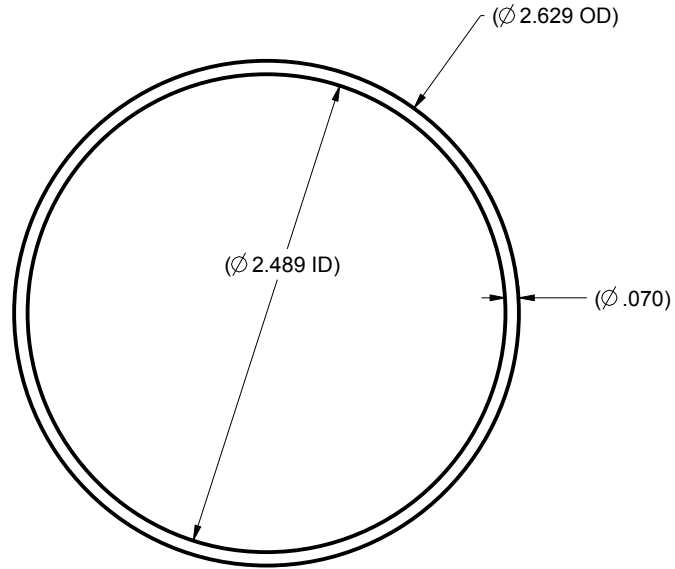
2240 South Thornburg Street Santa Maria, CA. 93455
ph. (805) 595-1310 fax (805) 595-1024
www.newageenclosures.com

3" ROUND OUTDOOR - STANDARD
SXX-303013-XXX

SIZE A DRAWING NAME
303013_R1_0

SHEET 5 OF 8 REV.DOC 1.0

303013 O-RING



037 O-RING
SCALE 1.000

TOLERANCES: UNLESS OTHERWISE SPECIFIED
DIMENSIONS ARE IN U.S. INCHES.
X.XX = .015 X.XXXX = .001
X.XXX = .010 X.X° = 1°

NEW AGE ENCLOSURES

Customer's Part No: 303013

| | | |
|----------|----------|------|
| APPROVAL | BY | DATE |
| CHECK | | |
| ENG. | | |
| SCALE | AS NOTED | |

DRAWN BY
M BOYER 2017-Jun-27

NEW AGE ENCLOSURES

2240 South Thornburg Street Santa Maria, CA. 93455
ph. (805) 595-1310 fax (805) 595-1024
www.newageenclosures.com

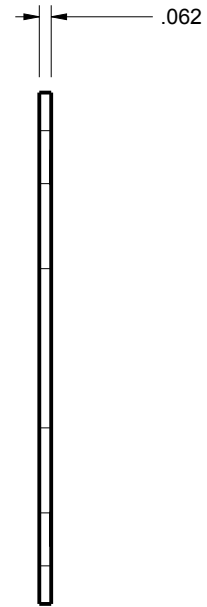
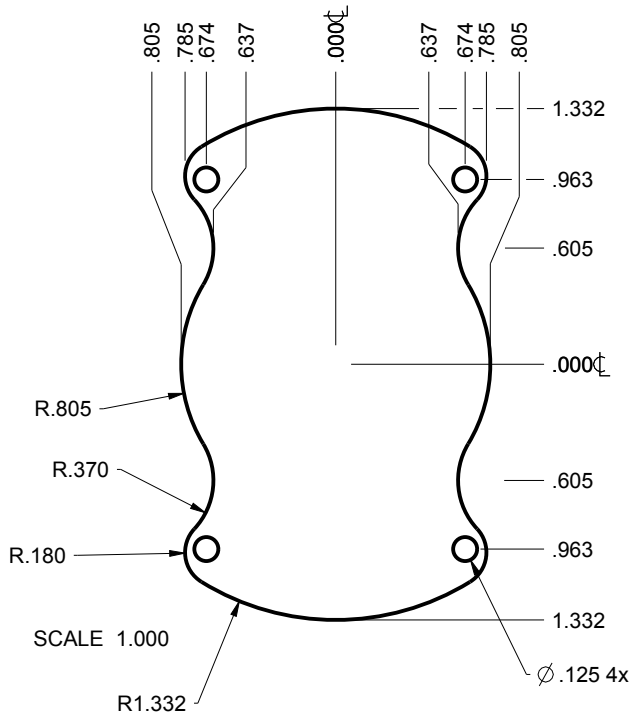
3" ROUND OUTDOOR - STANDARD
SXX-303013-XXX

SIZE A DRAWING NAME 303013_R1_0

SHEET 6 OF 8 REV.DOC 1.0

303013 PCB - CUSTOMER SUPPLIED

PCB SIZES ARE RECOMMENDATIONS ONLY. FINAL SIZES AND VERIFICATION OF ITS FIT ARE THE SOLE RESPONSIBILITY OF THE OEM.



| | |
|--|-------------|
| TOLERANCES: UNLESS OTHERWISE SPECIFIED DIMENSIONS ARE IN U.S. INCHES. | |
| X.XX = .015 X.XXXX = .001 | |
| X.XXX = .010 X.X° = 1° | |
| NEW AGE ENCLOSURES | |
| Customer's Part No: 303013 | |
| APPROVAL | BY DATE |
| CHECK | |
| ENG. | |
| SCALE | AS NOTED |
| DRAWN BY | 2017-Jun-27 |
| M BOYER | |

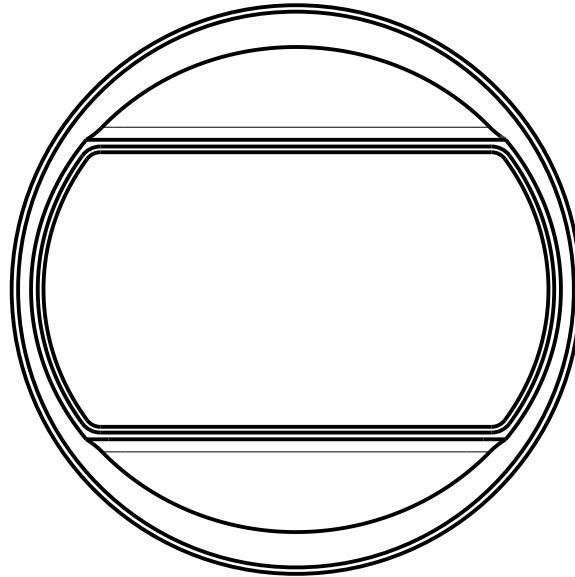
NEW AGE ENCLOSURES
 2240 South Thornburg Street Santa Maria, CA. 93455
 ph. (805) 595-1310 fax (805) 595-1024
www.newageenclosures.com

**3" ROUND OUTDOOR - STANDARD
 SXX-303013-XXX**

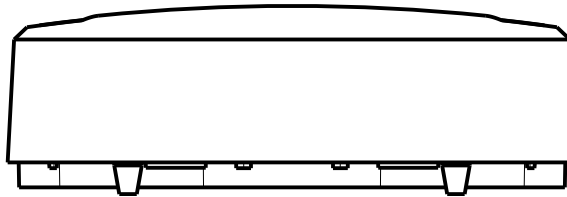
| | | | |
|------|--------------|--------|---------|
| SIZE | DRAWING NAME | SHEET | REV.DOC |
| A | 303013_R1_0 | 7 OF 8 | 1.0 |

303013 2nd OPERATION DETAILS

NEW AGE ENCLOSURES DELIVERS YOUR ENCLOSURE MARKET-READY WITH IN-HOUSE CNC MACHINING, PAD PRINTING, ASSEMBLY, AND FULFILLMENT.
 ALL SURFACES AND AREAS ARE AVAILABLE FOR CNC ALTERATION BY NEW AGE ENCLOSURES
 CALL (805) 595-1310 FOR PRICING AND SCHEDULE.
 THE INSIDE RADIUS OF ANY MACHINED FEATURES SHOULD BE NO SMALLER THAN .031"



SCALE 1.000



TOLERANCES: UNLESS OTHERWISE SPECIFIED
 DIMENSIONS ARE IN U.S. INCHES.
 X.XX = .015 X.XXXX = .001
 X.XXX = .010 X.X° = 1°

NEW AGE ENCLOSURES

Customer's Part No: 303013

NEW AGE ENCLOSURES

2240 South Thornburg Street Santa Maria, CA. 93455
 ph. (805) 595-1310 fax (805) 595-1024
www.newageenclosures.com

| SXX-303013-XXX COVER - ASA, BLACK | | | | | |
|-----------------------------------|-------------|---------------|---------|-------------|---------|
| STEP NO | DESCRIPTION | CUTTER | FIXTURE | ORIENTATION | PROGRAM |
| 1-C-C1 | - | T2 = .062" EM | - | - | o1001 |
| 2-C-C2 | - | T2 = .062" EM | - | - | o1002 |

| | | |
|----------|-------------|------|
| APPROVAL | BY | DATE |
| CHECK | | |
| ENG. | | |
| SCALE | AS NOTED | |
| DRAWN BY | M BOYER | |
| | 2017-Jun-27 | |

| | | | |
|-----------------------------|--------------|--------|---------|
| 3" ROUND OUTDOOR - STANDARD | | SHEET | REV.DOC |
| SXX-303013-XXX | | 8 OF 8 | 1.0 |
| SIZE | DRAWING NAME | | |
| A | 303013_R1_0 | | |