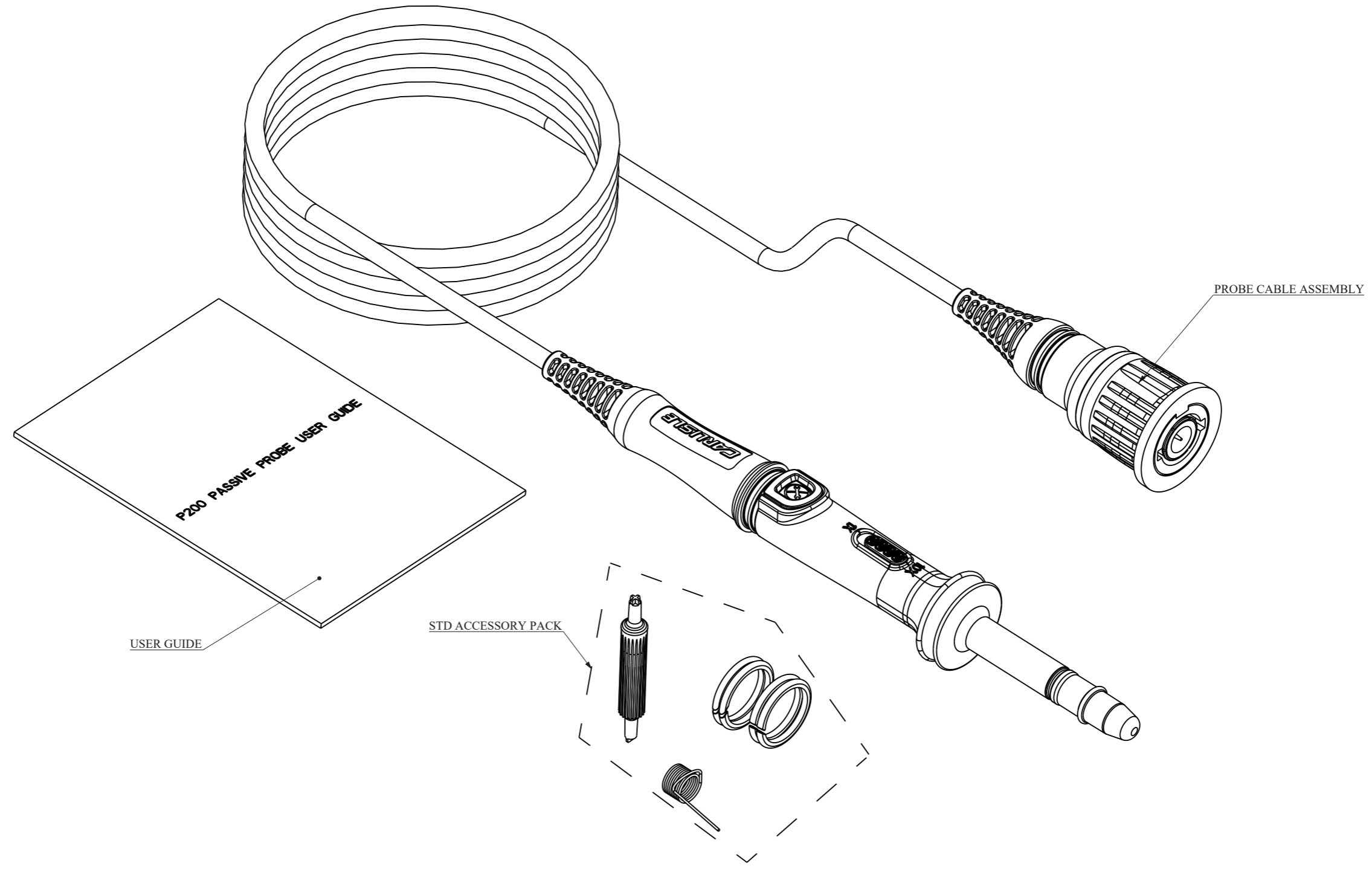


REV.	REGION	DESCRIPTION	DATE	DWN



★ KEY DIMENSION NEED 100% INSPECTION (XX) REF. DIMENSION FOR REF. ONLY	Drawn: Falcon Yang	<b>CARLISLE</b> INTERCONNECT TECHNOLOGIES	Dongguan City,Guangdong P.R. China 523533	
	Checked:		PROJECT: Probe Assy,1X&10X 250MHz,CATII	
Information contained on this drawing is confidential and may also contain proprietary CARLISLE/customer information. Drawing content is only intended for use of the above customer If you are not the intended recipient or authorized employee of above company name, you are hereby notified any use, duplication, reconstruction, or distribution of drawing information is strictly prohibited.	Approved:	Material:	Part Name: PROBE STD KIT	
	Part Numble: PB01-A001	SIZE A3	Revision: N/A	Date: N/A
	DO NOT SCALE DRAWING		SHEET 1 OF 1	

TOLERANCES REFER TO ISO2768-F (mm)					
0.5~3	3~6	6~30	30~120	120~400	400~1000
±0.05	±0.05	±0.1	±0.15	±0.2	±0.3