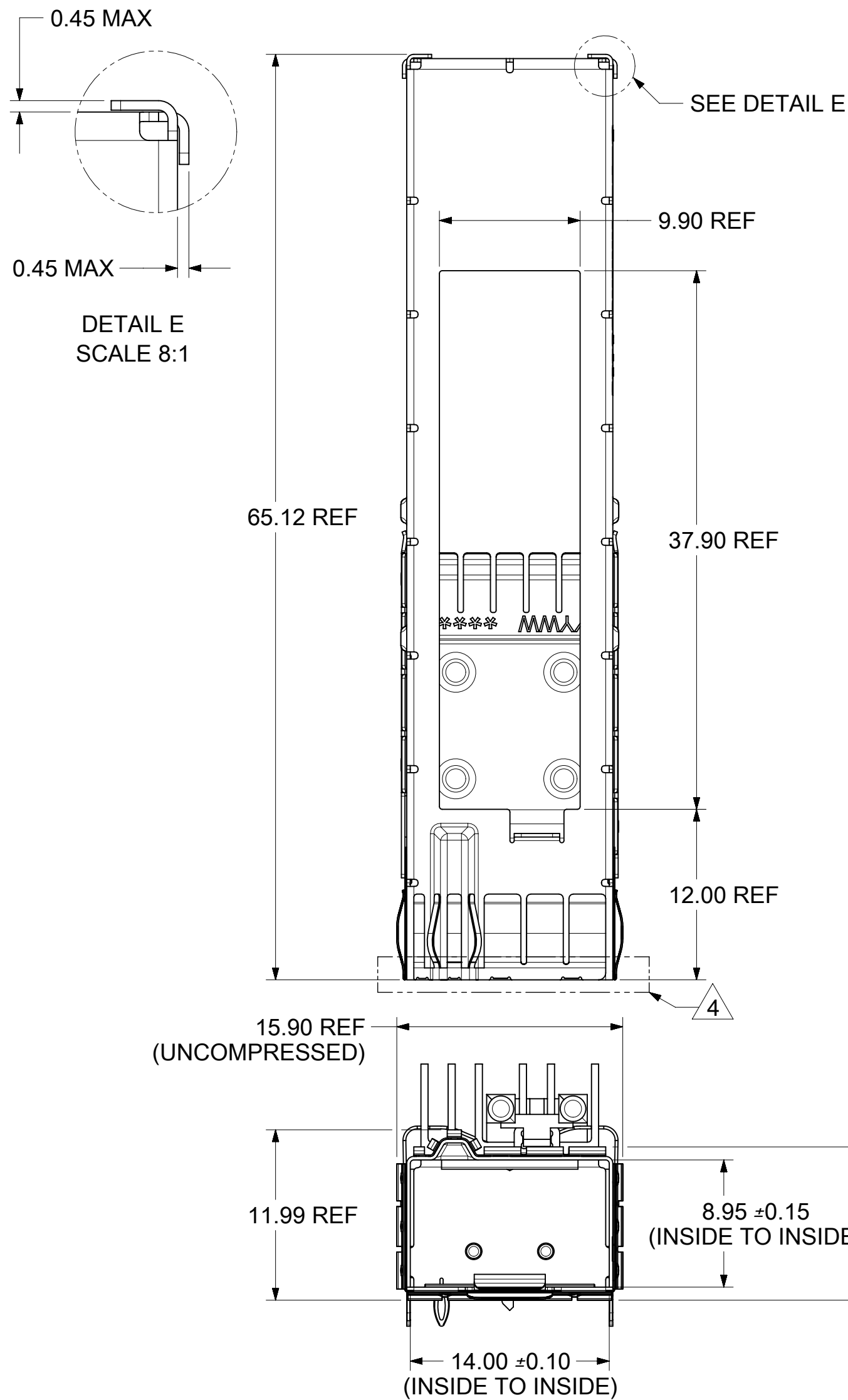


COMMON DIMENSION

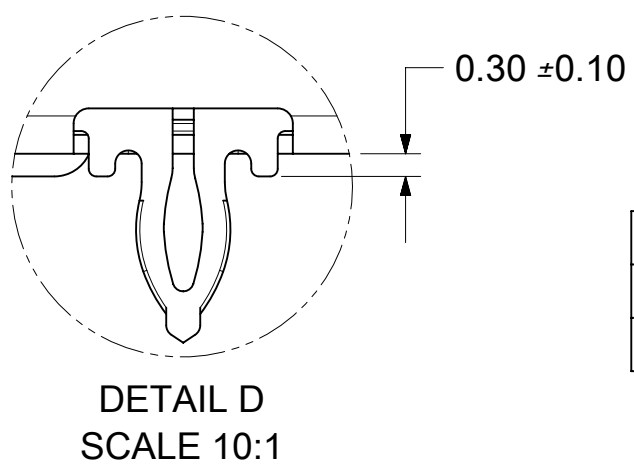
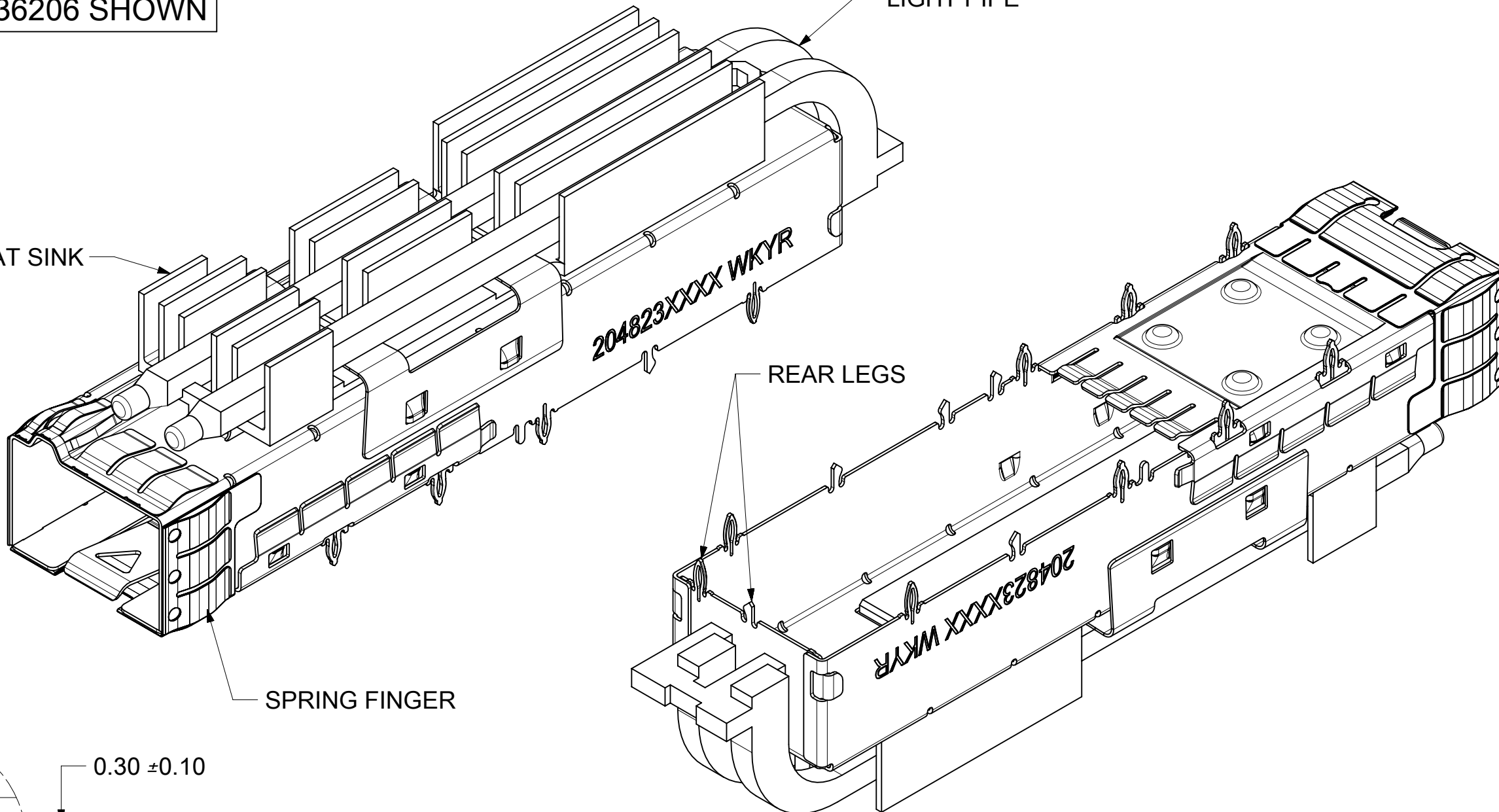
2048236206 SHOWN

(HEAT SINK / LIGHT PIPE / CLIP NOT SHOWN FOR CLARITY)

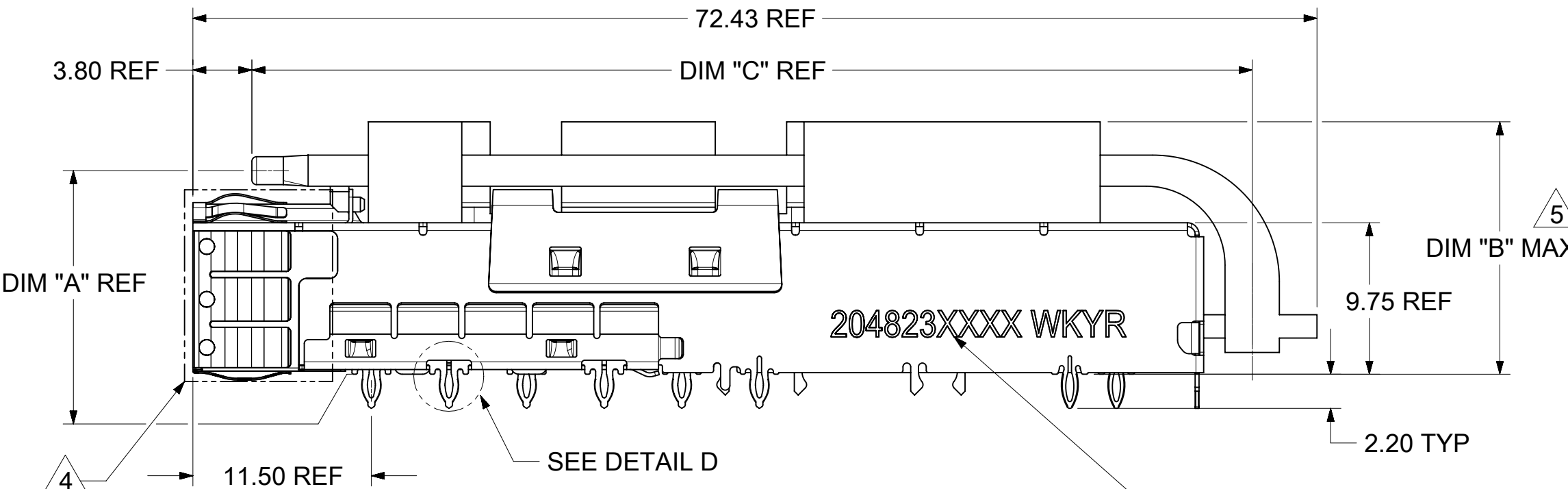


HEAT SINK

LIGHT PIPE



WEEK/YEAR DATE CODE TABLE	
WK	WEEK 01 THROUGH 52. EXAMPLE: 01 - FIRST WEEK OF YEAR, 52 - LAST WEEK OF YEAR
YR	LAST TWO DIGITS OF THE YEAR, 20, 21, 22, ETC. EXAMPLE: 2020 = 20



PART NO. AND WEEK/YEAR CODE TO BE PRINTED OR LASERED ON THE SIDE OF COMPLETED CAGE ASSEMBLY APPROXIMATELY AS SHOWN

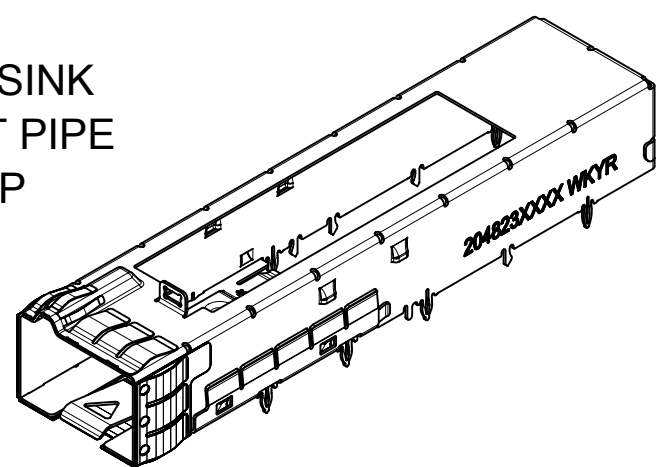
- NOTES:
- MATERIAL:
CAGE: 0.25mm THICKNESS, STAINLESS STEEL
FRONT SPRING FINGERS: 0.1mm THICK COPPER ALLOY, NICKEL PLATED.
HEATSINK: ALUMINUM, BLACK ANODIZATION.
HEATSINK CLIP: STAINLESS STEEL
LIGHTPIPE: POLYCARBONATE
 - PRESS FIT LEGS 2.2mm LONG:
 - PORTS ARE DESIGNED FOR SFP-DD TRANSCEIVERS
THE TOP SURFACE OF THE MODULE MUST BE FLAT (NO PRODUCT LABEL RECESS) AND THERMALLY CONDUCTIVE TO OPTIMAL FUNCTION.
 - WELD SPOTS WILL SHOW SLIGHT MATERIAL DISCOLORATION.
 - HEIGHT OF HEAT SINK WITH MODULE INSERTED.
DIMENSION MAY BE LESS DUE TO MODULE AND HEAT SINK VARIATIONS.
 - NO RoHS EXEMPTIONS.

THIS DRAWING CONTAINS INFORMATION THAT IS PROPRIETARY TO MOLEX ELECTRONIC TECHNOLOGIES, LLC AND SHOULD NOT BE USED WITHOUT WRITTEN PERMISSION

DIMENSION UNITS	SCALE	CURRENT REV DESC: SEE REV TABLE		molex		
mm	3:1					
GENERAL TOLERANCES (UNLESS SPECIFIED)		EC NO: 647405		SFP-DD 1X1 CAGE ASY, SPRING FINGER TYPE TRAPEZOID DEEP DRAWN W/ LIGHT PIPE AND HEATSINK OPTIONS		
ANGULAR TOL	± 2.0°	DRWN: TKUMARKC	2020/10/05	PRODUCT CUSTOMER DRAWING		
4 PLACES	±	CHK'D: TKUMARKC	2020/10/20	DOCUMENT NUMBER		
3 PLACES	±	APPR: JCHIANG	2020/10/21	2048236206		
2 PLACES	± 0.13	INITIAL REVISION:		DOC TYPE	DOC PART	REVISION
1 PLACE	± 0.25	DRWN: DSUN15	2018/09/21	PSD	ASY	E
0 PLACES	±	APPR: RCHEN08	2018/11/19	SHEET NUMBER		
DRAFT WHERE APPLICABLE MUST REMAIN WITHIN DIMENSIONS		THIRD ANGLE PROJECTION	DRAWING	SERIES	MATERIAL NUMBER	CUSTOMER
			C-SIZE	204823	SEE SHEET 2	
						1 OF 7

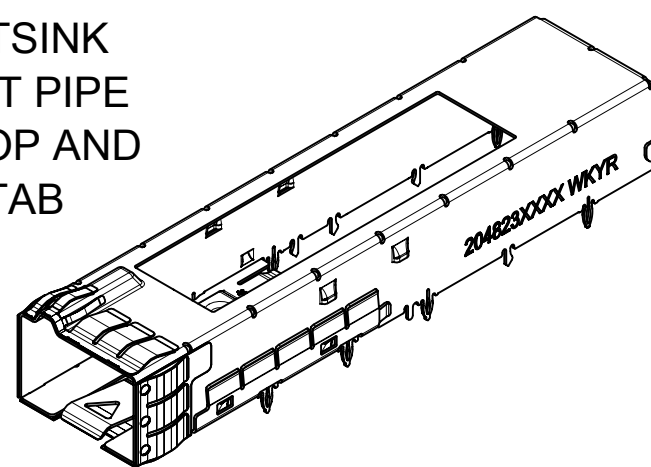
PART NUMBER SELECTION

NO HEATSINK
NO LIGHT PIPE
OPEN TOP



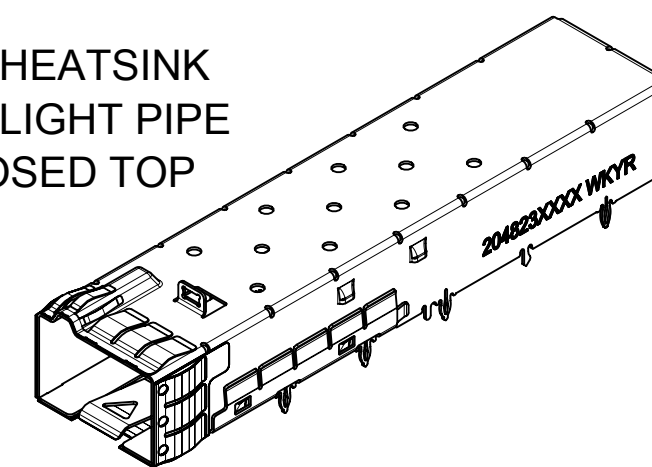
MOLEX P/N	# OF REAR LEGS PER PORT	CAGE BASE TYPE
2048234000	2	RAISE

NO HEATSINK
NO LIGHT PIPE
OPEN TOP AND
W/O LP TAB



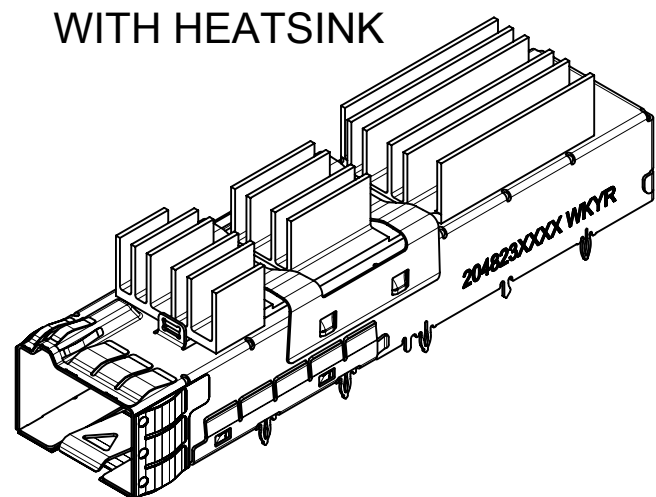
MOLEX P/N	# OF REAR LEGS PER PORT	CAGE BASE TYPE
2048234001	2	RAISE

NO HEATSINK
NO LIGHT PIPE
CLOSED TOP



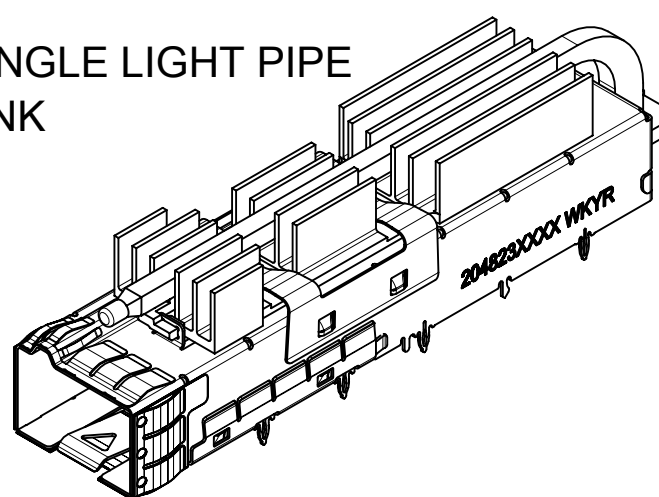
MOLEX P/N	# OF REAR LEGS PER PORT
2048235005	2

WITH HEATSINK



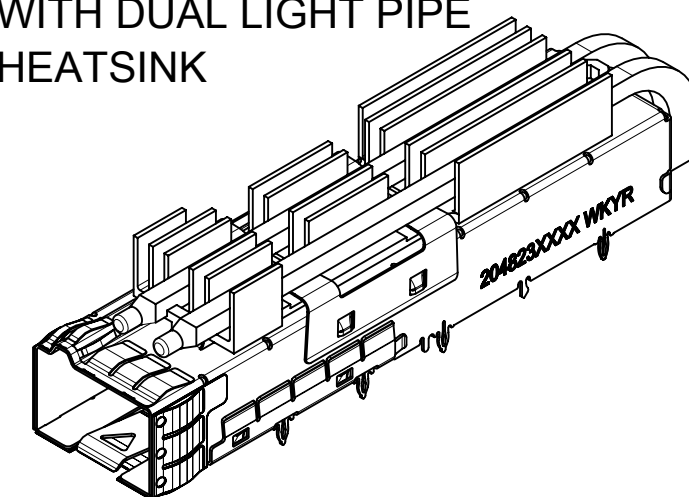
MOLEX P/N	HEATSINKS	# OF REAR LEGS PER PORT	CAGE BASE TYPE	DIM "B"
2048236006	SAN	2	RAISE	17.25
2048236007	PCI	2	RAISE	14.30

WITH SINGLE LIGHT PIPE
HEATSINK



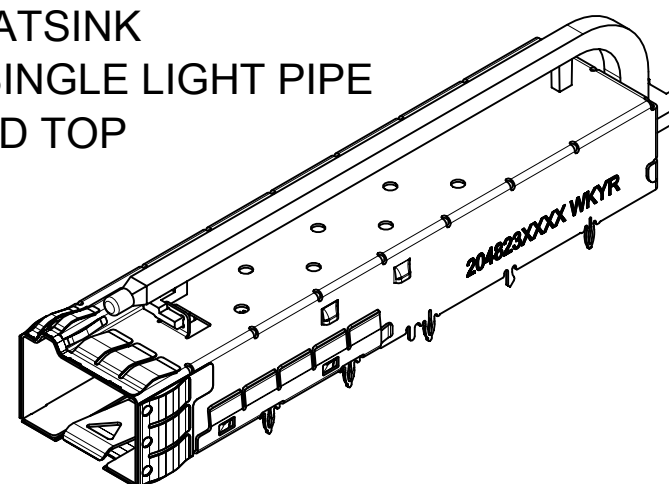
MOLEX P/N	LIGHTPIPES	HEATSINKS	# OF REAR LEGS PER PORT	CAGE BASE TYPE	DIM "A"	DIM "B"	DIM "C"
2048236100	SINGLE	SAN	2	RAISE	14.17	17.25	64.45

WITH DUAL LIGHT PIPE
HEATSINK



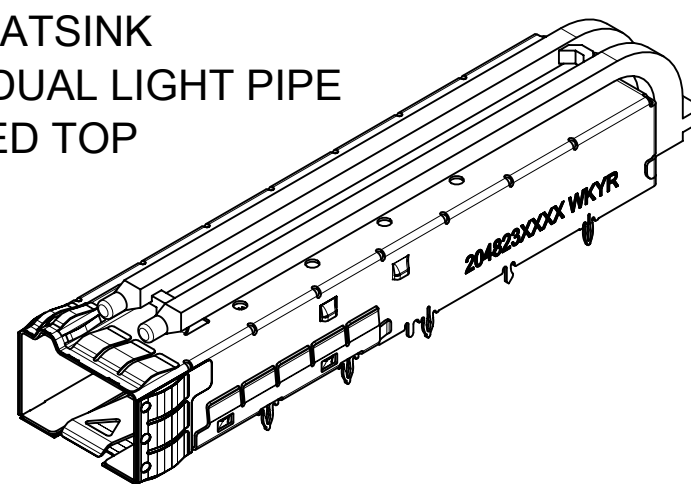
MOLEX P/N	LIGHTPIPES	HEATSINKS	# OF REAR LEGS PER PORT	CAGE BASE TYPE	DIM "A"	DIM "B"	DIM "C"
2048236206	DUAL	SAN	2	RAISE	13.1	17.25	64.45
2048236207	DUAL	PCI	2	RAISE	13.1	14.30	64.45

NO HEATSINK
WITH SINGLE LIGHT PIPE
CLOSED TOP



MOLEX P/N	LIGHTPIPES	# OF REAR LEGS PER PORT	DIM "A"	DIM "C"
2048235105	SINGLE	2	14.17	64.45

NO HEATSINK
WITH DUAL LIGHT PIPE
CLOSED TOP

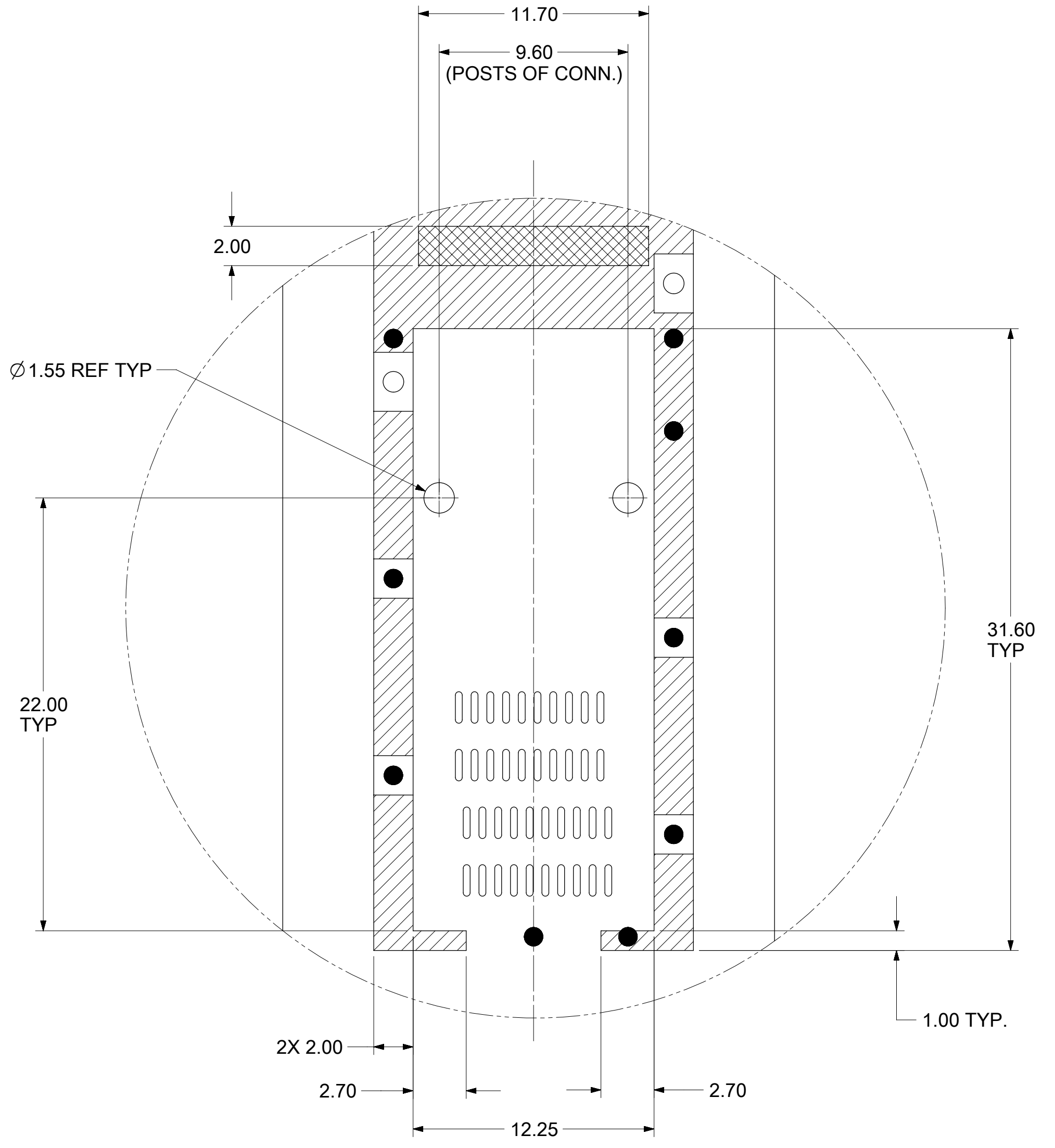
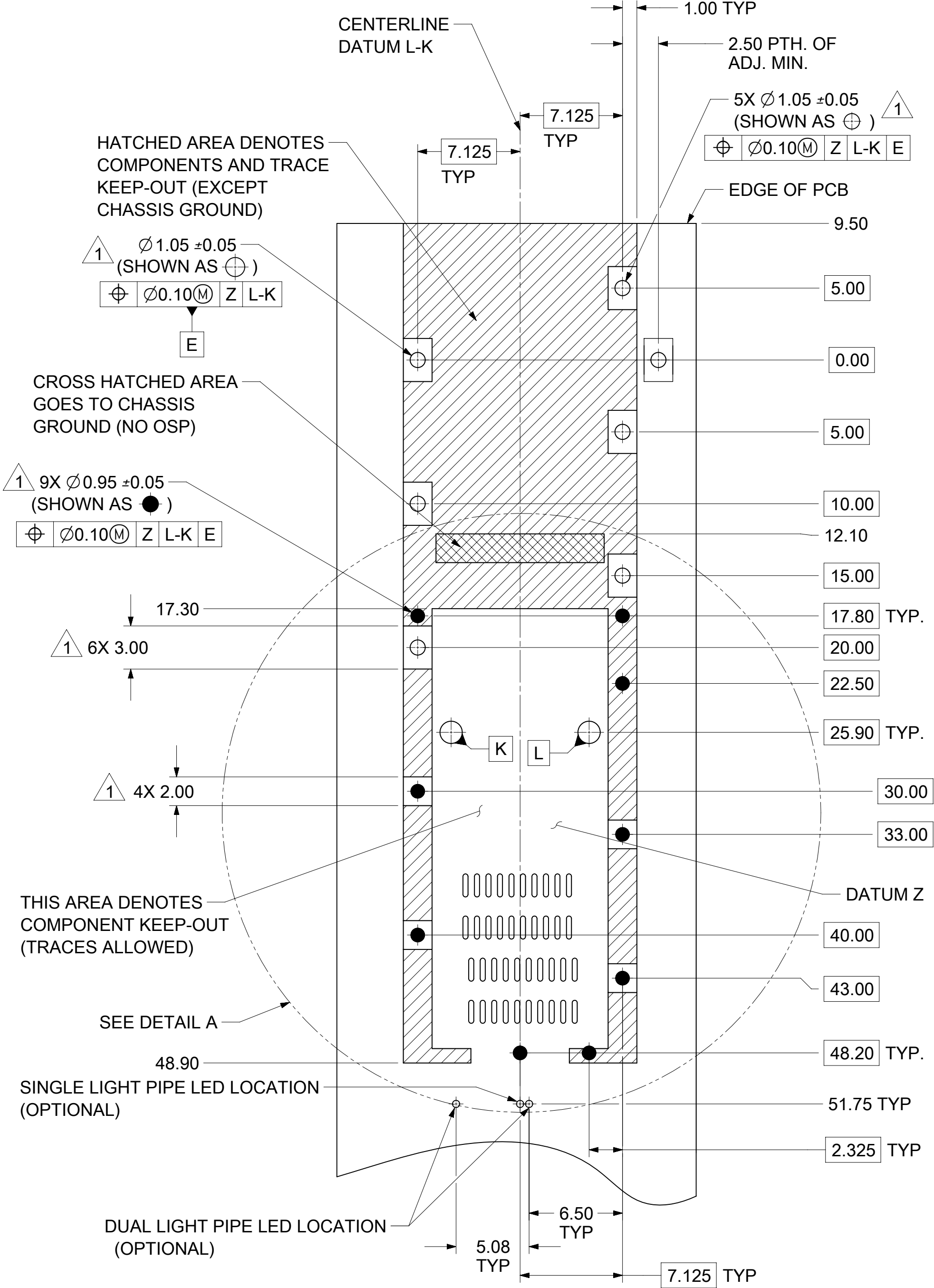


MOLEX P/N	LIGHTPIPES	# OF REAR LEGS PER PORT	DIM "A"	DIM "C"
2048235201	DUAL	2	13.1	64.45

THIS DRAWING CONTAINS INFORMATION THAT IS PROPRIETARY TO MOLEX ELECTRONIC TECHNOLOGIES, LLC AND SHOULD NOT BE USED WITHOUT WRITTEN PERMISSION

DIMENSION UNITS	SCALE	CURRENT REV DESC: SEE REV TABLE	
mm	1.5:1		
GENERAL TOLERANCES (UNLESS SPECIFIED)			
ANGULAR TOL	± 2.0°	EC NO: 647405	
4 PLACES	±	DRWN: TKUMARKC	2020/10/05
3 PLACES	±	CHK'D: TKUMARKC	2020/10/20
2 PLACES	± 0.13	APPR: JCHIANG	2020/10/21
1 PLACE	± 0.25	INITIAL REVISION:	
0 PLACES	±	DRWN: DSUN15	2018/09/21
		APPR: RCHEN08	2018/11/19
DRAFT WHERE APPLICABLE MUST REMAIN WITHIN DIMENSIONS		THIRD ANGLE PROJECTION	DRAWING SERIES
			C-SIZE 204823
DOCUMENT STATUS		DOCUMENT NUMBER	DOC TYPE DOC PART REVISION
P1	RELEASE DATE 2020/10/21 03:34:25	2048236206	PSD ASY E
		MATERIAL NUMBER	CUSTOMER
		SEE SHEET 2	SHEET NUMBER
			2 OF 7

PCB LAYOUT FOR SINGLE SIDE MOUNT

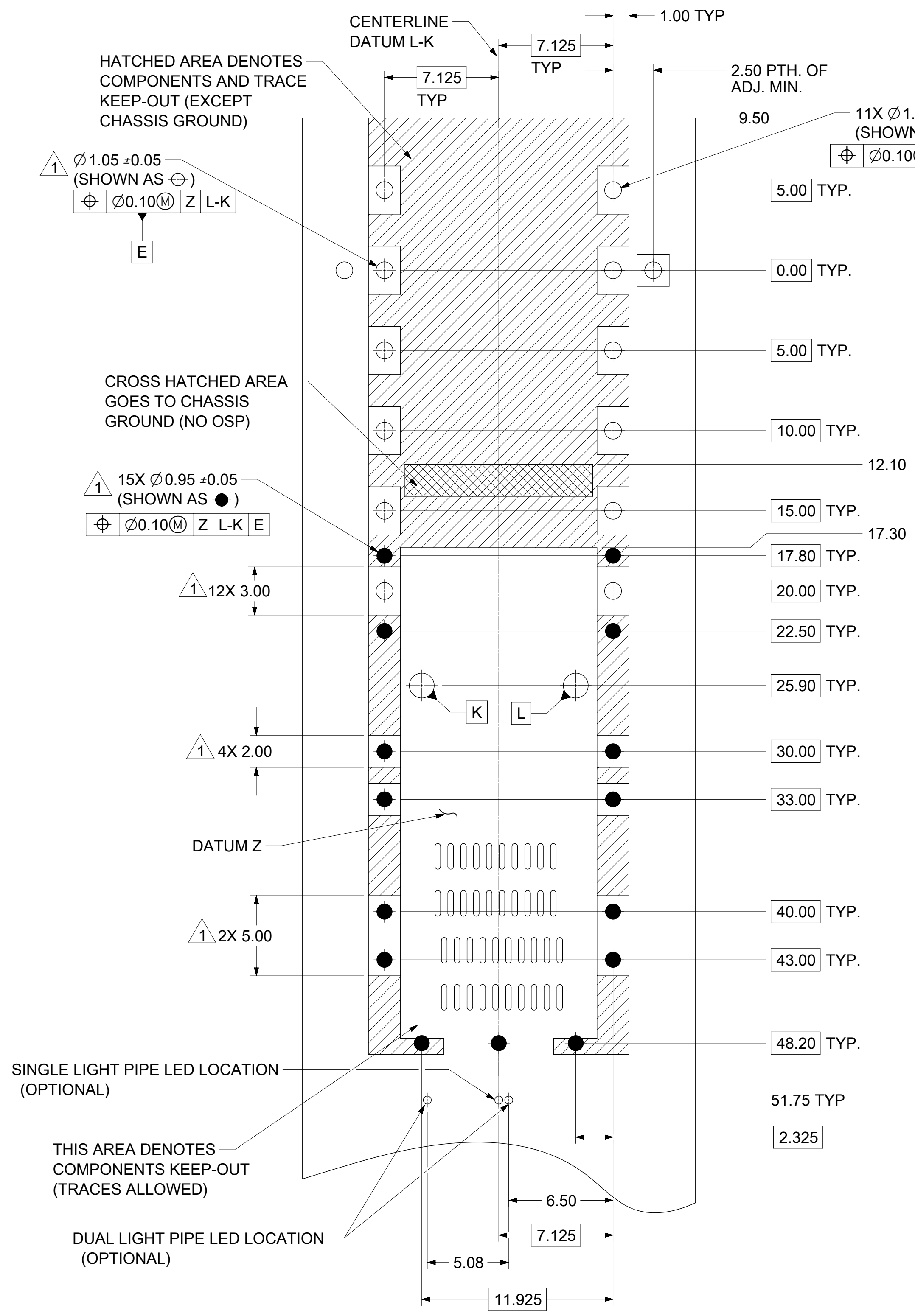


DETAIL A
SCALE 5:1

- NOTES:
- 1 PADS AND VIAS CONNECT TO CHASSIS GROUND
 2. RECOMMENDED THRU HOLE PLATING INCLUDES HASL, OSP, OR IMMERSION (GOLD, SILVER, OR TIN).
 3. CONNECTOR PAD LAYOUT PER SFP-DD MSA WILL ACCOMMODATE MOLEX CONNECTOR SERIES 204730 OR EQUIVALENT.
 4. PCB THICKNESS FOR SINGLE SIDED USE $1.57\text{MM} \pm 10\%$

THIS DRAWING CONTAINS INFORMATION THAT IS PROPRIETARY TO MOLEX ELECTRONIC TECHNOLOGIES, LLC AND SHOULD NOT BE USED WITHOUT WRITTEN PERMISSION									
DIMENSION UNITS		SCALE		CURRENT REV DESC: SEE REV TABLE					
mm		4:1		<p>molex</p> <p>SFP-DD 1X1 CAGE ASY, SPRING FINGER TYPE TRAPEZOID DEEP DRAWN W/ LIGHT PIPE AND HEATSINK OPTIONS</p> <p>PRODUCT CUSTOMER DRAWING</p> <p>DOCUMENT NUMBER: 2048236206 DOC TYPE: PSD DOC PART: ASY REVISION: E</p> <p>EC NO: 647405 DRWN: TKUMARKC 2020/10/05 CHK'D: TKUMARKC 2020/10/20 APPR: JCHIANG 2020/10/21</p> <p>INITIAL REVISION: DRWN: DSUN15 2018/09/21 APPR: RCHEN08 2018/11/19</p> <p>DRAFT WHERE APPLICABLE MUST REMAIN WITHIN DIMENSIONS</p> <p>THIRD ANGLE PROJECTION</p> <p>DRAWING: C-SIZE SERIES: 204823</p> <p>MATERIAL NUMBER: SEE SHEET 2 CUSTOMER: SHEET NUMBER: 3 OF 7</p>					
GENERAL TOLERANCES (UNLESS SPECIFIED)									
ANGULAR TOL		$\pm 2.0^\circ$							
4 PLACES		\pm							
3 PLACES		\pm							
2 PLACES		± 0.13							
1 PLACE		± 0.25							
0 PLACES		\pm							

PCB LAYOUT FOR BELLY TO BELLY MOUNT



SEE SHEET 3 FOR HOST CONNECTOR POST DETAIL

NOTES:

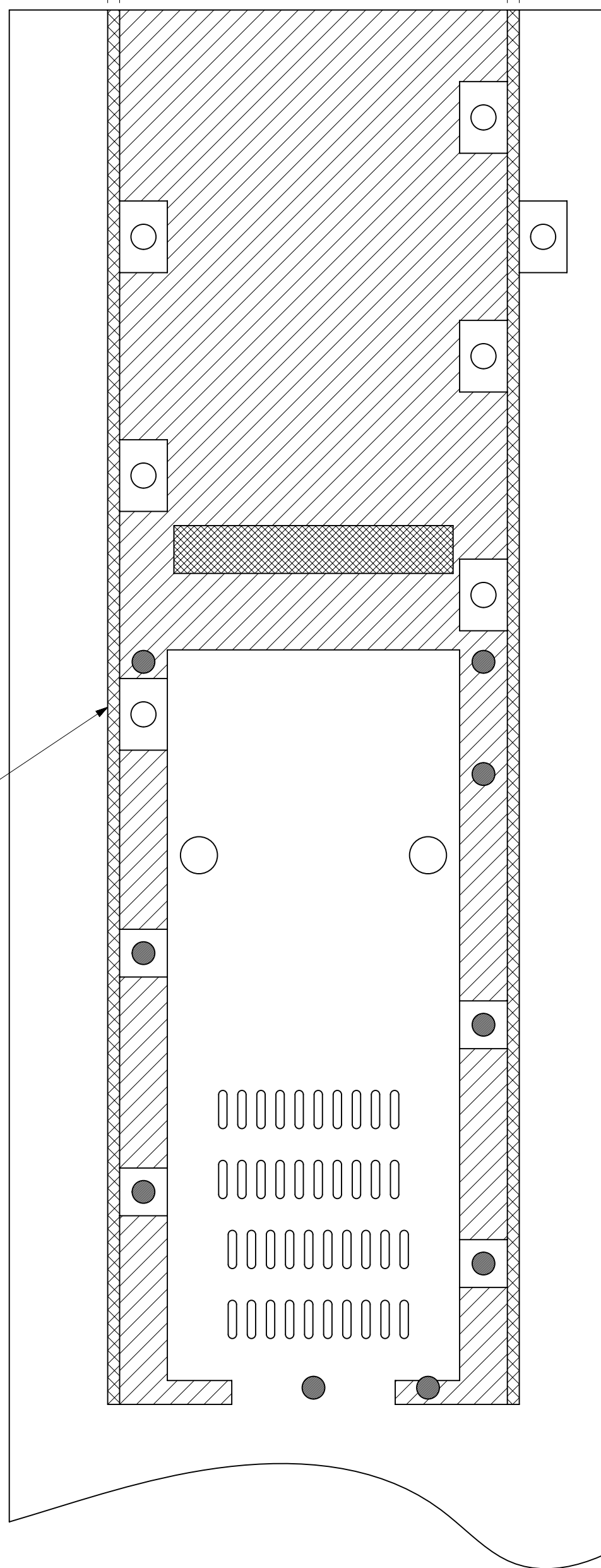
1. PADS AND VIAS CONNECT TO CHASSIS GROUND
2. RECOMMENDED THRU HOLE PLATING INCLUDES HASL, OSP, OR IMMERSION (GOLD, SILVER, OR TIN).
3. CONNECTOR PAD LAYOUT PER SFP-DD MSA WILL ACCOMMODATE MOLEX CONNECTOR SERIES 204730 OR EQUIVALENT.
4. MIN PCB THICKNESS FOR BELLY TO BELLY USE 2.55MM

THIS DRAWING CONTAINS INFORMATION THAT IS PROPRIETARY TO MOLEX ELECTRONIC TECHNOLOGIES, LLC AND SHOULD NOT BE USED WITHOUT WRITTEN PERMISSION		CURRENT REV DESC: SEE REV TABLE		molex		
DIMENSION UNITS	SCALE					SFP-DD 1X1 CAGE ASY, SPRING FINGER TYPE TRAPEZOID DEEP DRAWN W/ LIGHT PIPE AND HEATSINK OPTIONS
mm	5:1			PRODUCT CUSTOMER DRAWING		
GENERAL TOLERANCES (UNLESS SPECIFIED)		EC NO: 647405		DOCUMENT NUMBER		
ANGULAR TOL ± 2.0°		DRWN: TKUMARKC 2020/10/05		2048236206		
4 PLACES ±		CHK'D: TKUMARKC 2020/10/20		DOC TYPE DOC PART REVISION		
3 PLACES ±		APPR: JCHIANG 2020/10/21		PSD ASY E		
2 PLACES ± 0.13		INITIAL REVISION:		MATERIAL NUMBER CUSTOMER SHEET NUMBER		
1 PLACE ± 0.25		DRWN: DSUN15 2018/09/21		SEE SHEET 2		
0 PLACES ±		APPR: RCHEN08 2018/11/19		4 OF 7		
DRAFT WHERE APPLICABLE MUST REMAIN WITHIN DIMENSIONS		THIRD ANGLE PROJECTION	DRAWING	SERIES		
			C-SIZE	204823		

KEEP OUT AREA FOR INSERTION/EXTRACTION TOOL

0.50 MIN ← → 0.50 MIN

RECOMMENDED
INSERTION/EXCTRACTION
TOOL KEEP OUT AREA
NO COMPONENTS
IN THESE AREAS

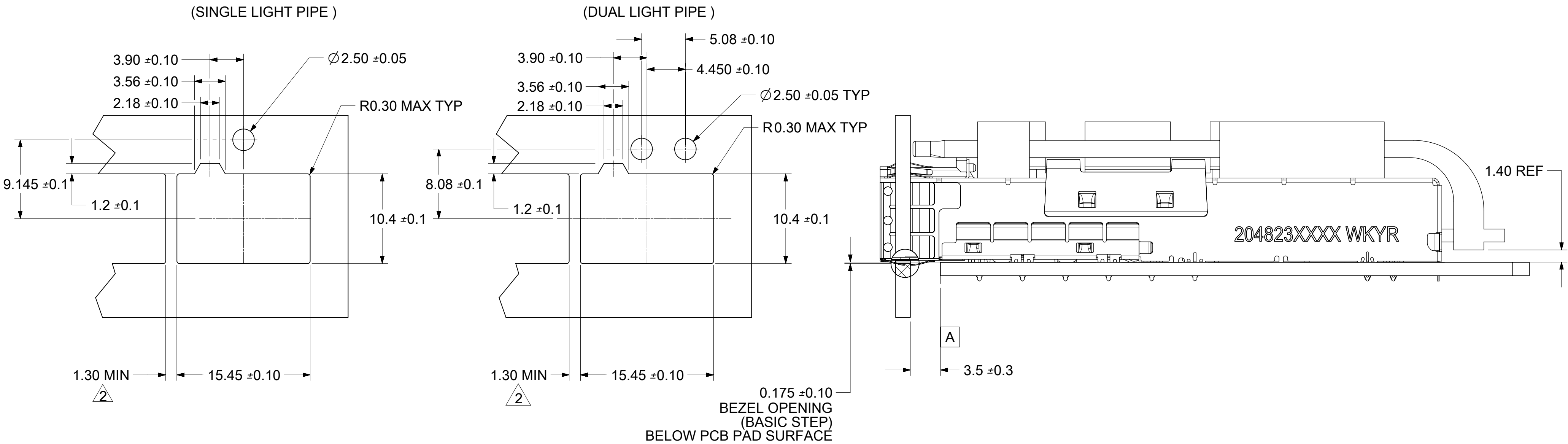


THIS DRAWING CONTAINS INFORMATION THAT IS PROPRIETARY TO MOLEX ELECTRONIC TECHNOLOGIES, LLC AND SHOULD NOT BE USED WITHOUT WRITTEN PERMISSION

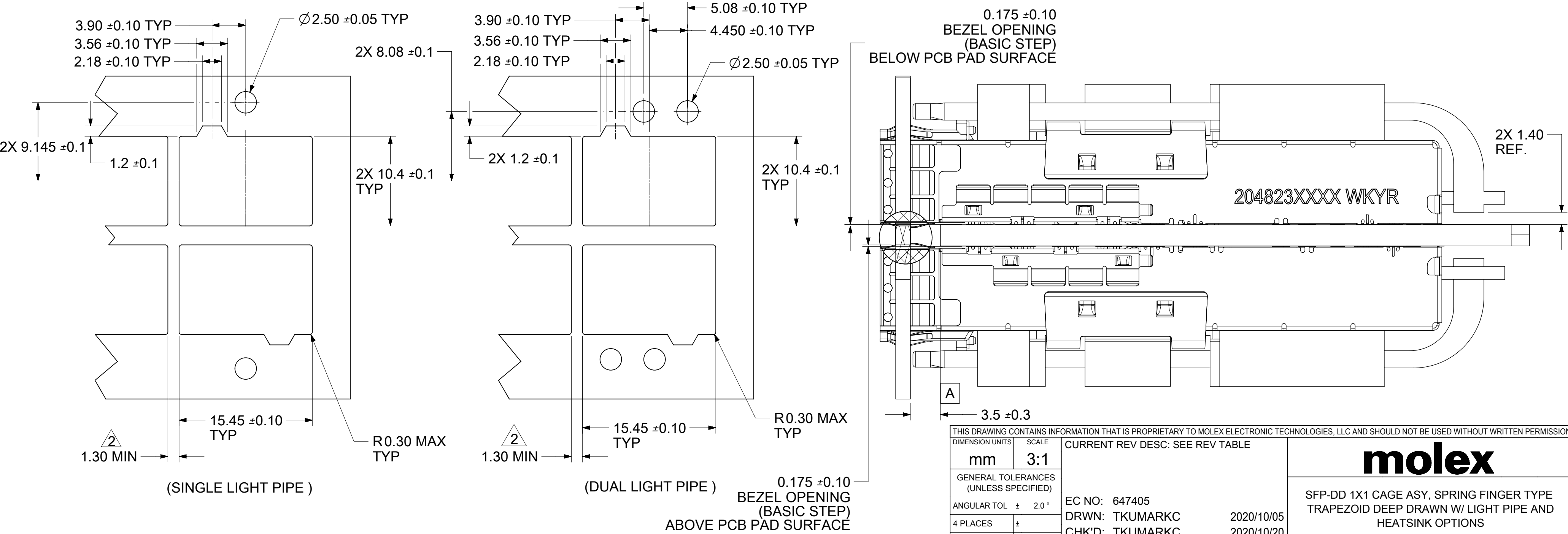
DIMENSION UNITS		SCALE		CURRENT REV DESC: SEE REV TABLE			
mm		5:1		<p>molex</p> <p>SFP-DD 1X1 CAGE ASY, SPRING FINGER TYPE TRAPEZOID DEEP DRAWN W/ LIGHT PIPE AND HEATSINK OPTIONS</p> <p>PRODUCT CUSTOMER DRAWING</p>			
GENERAL TOLERANCES (UNLESS SPECIFIED)							
ANGULAR TOL		± 2.0°		EC NO: 647405		DOCUMENT NUMBER	
4 PLACES		±		DRWN: TKUMARKC 2020/10/05		2048236206	
3 PLACES		±		CHK'D: TKUMARKC 2020/10/20		DOC TYPE DOC PART REVISION	
2 PLACES		± 0.13		APPR: JCHIANG 2020/10/21		PSD ASY E	
1 PLACE		± 0.25		INITIAL REVISION:		MATERIAL NUMBER	
0 PLACES		±		DRWN: DSUN15 2018/09/21		CUSTOMER	
DRAFT WHERE APPLICABLE MUST REMAIN WITHIN DIMENSIONS		THIRD ANGLE PROJECTION		DRAWING		SHEET NUMBER	
				C-SIZE		5 OF 7	
				SERIES			
				204823			

DOCUMENT STATUS	P1	RELEASE DATE	2020/10/21	03:34:25
-----------------	----	--------------	------------	----------

BEZEL AND BOARD POSITION DIMENSIONS FOR SINGLE SIDE MOUNTING




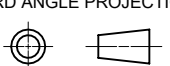
BEZEL AND BOARD POSITION DIMENSIONS FOR BELLY TO BELLY MOUNTING



- PCB THICKNESS VARIATION MUST BE CONSIDERED WHEN DETERMINING BEZEL OPENING AND LOCATION
- THIS DIMENSION IS FOR REFERENCE ONLY. USER CAN MODIFY IT DEPENDS ON APPLICATION.
(THIS DIMENSION VARIES BASED ON DISTANCE OF "HOLE OF ADJACENT CAGE" ON PCB LAYOUT)

THIS DRAWING CONTAINS INFORMATION THAT IS PROPRIETARY TO MOLEX ELECTRONIC TECHNOLOGIES, LLC AND SHOULD NOT BE USED WITHOUT WRITTEN PERMISSION									
DIMENSION UNITS		SCALE		CURRENT REV DESC: SEE REV TABLE					
mm		3:1							
GENERAL TOLERANCES (UNLESS SPECIFIED)									
ANGULAR TOL		± 2.0°		EC NO: 647405					
4 PLACES		±		DRWN: TKUMARKC		2020/10/05			
3 PLACES		±		CHK'D: TKUMARKC		2020/10/20			
2 PLACES		± 0.13		APPR: JCHIANG		2020/10/21			
1 PLACE		± 0.25		INITIAL REVISION:					
0 PLACES		±		DRWN: DSUN15		2018/09/21			
				APPR: RCHEN08		2018/11/19			
DRAFT WHERE APPLICABLE MUST REMAIN WITHIN DIMENSIONS				THIRD ANGLE PROJECTION		DRAWING		SERIES	
				C-SIZE		204823		MATERIAL NUMBER	
						SEE SHEET 2		CUSTOMER	
								SHEET NUMBER	
								6 OF 7	

REV	DATE	DESCRIPTIONS
A	2018/11/13	INITIAL RELEASE
B	2018/11/19	CHANGED CAGE BASE TO CAGE RAISE BASE 0.2MM FOR ALL COMBINATIONS BASED ON PM REQUIREMENT SHEET 2: C10:CORRECTED TYPO FROM 13.1 TO 14.17MM
C	2018/11/29	SHEET 3: A10: CHANGED SINGLE SIDE PCB THICKNESS FROM MIN 1.57 TO 1.57MM+/-10% CHANGED 3D RAISE CAGE BASE (P/N: 2048222102) TO CAGE BASE (P/N: 2048222100) FOR 2048235005/2048235207 SHEET 2: F10/B11: ADDED RAISE CAGE BASE COLUMN FOR 2048234000/2048236100/2048236206/2048236006
C1	2019/01/28	SHEET 1: C02 : DATE CODE NOTE UPDATED WITH LASER MARKING OPTION. SHEET 2: D11 : CHANGED HEATSINK FROM CUSTOM TO SAN AND UPDATED THE VIEW. B09 : CHANGED DIM "B" FORM 21.4 TO 17.25. D07 : VIEW AND P/N TABLE IS ADDED FOR 2048235105. SHEET 5: ADDED A SHEET FOR "KEEP OUT AREA FOR INSERTION/EXTRACTION TOOL".
C2	2019/04/09	SHEET 1 : H12 : ADDED DETAIL E. D04 : UPDATED DIMENSION 72.42 REF TO 72.43 REF. SHEET 3: G11: DIA SYMBOL ADDED IN TOLERANCE ZONE E12: DIA SYMBOL ADDED IN TOLERANCE ZONE H8: DIA SYMBOL ADDED IN TOLERANCE ZONE E6: ADDED 'TYP' TEXT AT THE DIMENSION 22.00 E1: ADDED 'TYP' TEXT AT THE DIMENSION 31.60 H3: 12.25 DIMENSION REMOVED F6 : DIA 1.55 DIMENSION ADDED SHEET 4 : E11: DIA SYMBOL ADDED IN TOLERANCE ZONE G12: DIA SYMBOL ADDED IN TOLERANCE ZONE H6: DIA SYMBOL ADDED IN TOLERANCE ZONE
D	2019/07/29	SHEET 2 : G07 : ADDED ISO VIEW TO SHOW 2048234001 P/N
D1	2019/10/23	FOR BETTER VISIBILITY, THE LOCATION OF DATE CODE TEXT ON THE CAGE COVER ADJUSTED IN SHEET 1, SHEET 2 AND SHEET 6.
E	2020/10/20	SHEET 2: C05 : ADDED NEW PART NUMBER 2048236207 TO THE TABLE. C12 : ADDED NEW PART NUMBER 2048236007 TO THE TABLE.

THIS DRAWING CONTAINS INFORMATION THAT IS PROPRIETARY TO MOLEX ELECTRONIC TECHNOLOGIES, LLC AND SHOULD NOT BE USED WITHOUT WRITTEN PERMISSION									
DIMENSION UNITS	SCALE	CURRENT REV DESC: SEE REV TABLE							
mm	1:1								
GENERAL TOLERANCES (UNLESS SPECIFIED)		EC NO: 647405			SFP-DD 1X1 CAGE ASY, SPRING FINGER TYPE TRAPEZOID DEEP DRAWN W/ LIGHT PIPE AND HEATSINK OPTIONS				
ANGULAR TOL	± 2.0°	DRWN: TKUMARKC 2020/10/05							
4 PLACES	±	CHK'D: TKUMARKC 2020/10/20			PRODUCT CUSTOMER DRAWING				
3 PLACES	±	APPR: JCHIANG 2020/10/21							
2 PLACES	± 0.13	INITIAL REVISION:			DOCUMENT NUMBER 2048236206				
1 PLACE	± 0.25	DRWN: DSUN15 2018/09/21							
0 PLACES	±	APPR: RCHEN08 2018/11/19			DOC TYPE DOC PART REVISION PSD ASY E				
DRAFT WHERE APPLICABLE MUST REMAIN WITHIN DIMENSIONS		THIRD ANGLE PROJECTION	DRAWING	SERIES					
			C-SIZE	204823	SEE SHEET 2				7 OF 7

DOCUMENT STATUS	P1	RELEASE DATE	2020/10/21 03:34:25
-----------------	----	--------------	---------------------