

MATERIAL

Polyamide based (PA) technopolymer, black colour, matte finish.

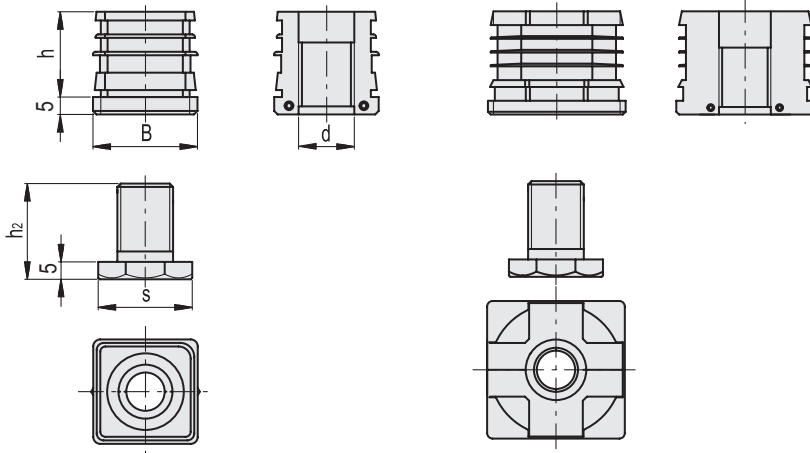
FEATURES AND APPLICATIONS

End-caps for square tubes with adjustable height levelling element
The assembly can be performed simply by positioning the end-cap, forcing it, inside the tube, with no need of screws or other fasteners.



NDA.Q-20 ÷ NDA.Q-25

NDA.Q-30 ÷ NDA.Q-50



Conversion Table	
1 mm = 0.039 inch	
mm	inch
20	0.79
22	0.87
25	0.98
30	1.18
35	1.38
40	1.57
45	1.77
50	1.97

The geometry of the end-cap in the part that is inserted into the tube may vary for the different dimensions.

Code	Description	B	d	h	h2	s	Tube external diameter	Tube internal diameter min-max	Tube thickness min-max	Max. static load* [N]	⚖
430401	NDA.Q-20-M12x30	20	M12	34	32	SW19	20	17-16	1.5-2	1000	9
430406	NDA.Q-22-M12x30	22	M12	34	32	SW19	22	19-18	1.5-2	1000	11
430411	NDA.Q-25-M12x30	25	M12	34	32	SW19	25	22-21	1.5-2	1000	14
430416	NDA.Q-25-M16x30	25	M16	34	37	SW27	25	22-21	1.5-2	1500	15
430421	NDA.Q-30-M16x30	30	M16	25	37	SW27	30	27-26	1.5-2	1500	20
430426	NDA.Q-30-M22x30	30	M22	26	35	SW27	30	27-26	1.5-2	2500	16
430431	NDA.Q-35-M22x30	35	M22	34	35	SW27	35	32-31	1.5-2	2500	21
430436	NDA.Q-40-M22x30	40	M22	33	35	SW27	40	37-36	1.5-2	2500	30
430441	NDA.Q-45-M22x30	45	M22	34	35	SW27	45	42-41	1.5-2	2500	34
430446	NDA.Q-50-M22x30	50	M22	34	35	SW27	50	48-47	1-1.5	2500	42

* The value refers to laboratory tests carried out with a load applied vertically to the leveling element unscrewed from the end-cap of 10 mm leaning on a flat surface. The max limit static load is the value above which the load applied to the element may cause some plastic material breakage, under particular conditions of use. Obviously, a factor that takes into consideration the importance and the safety level of the specific application must be applied to this value.