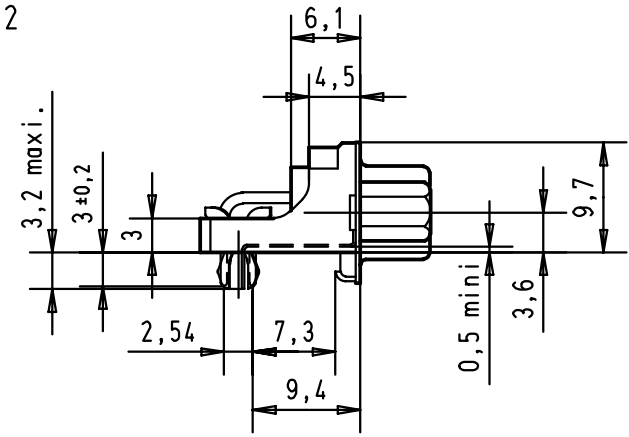
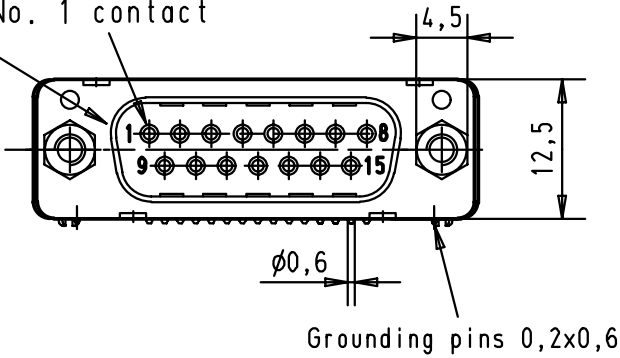


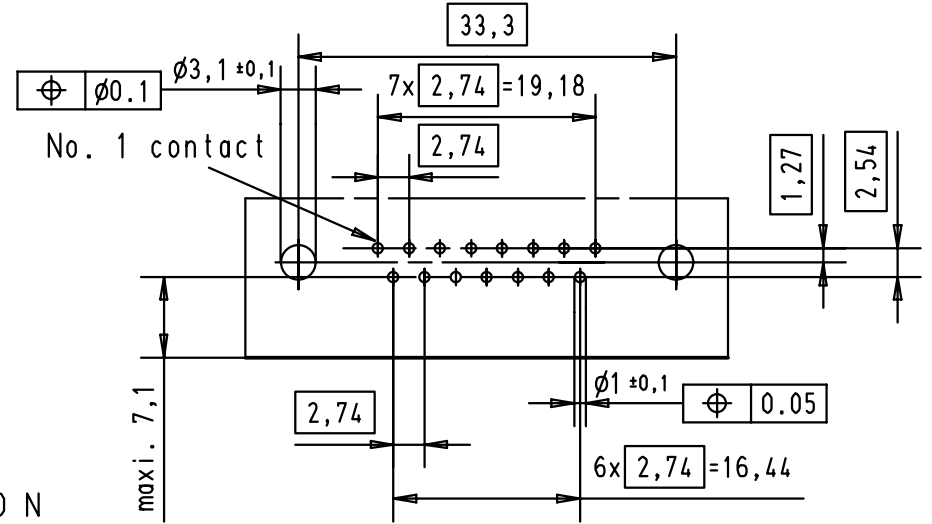
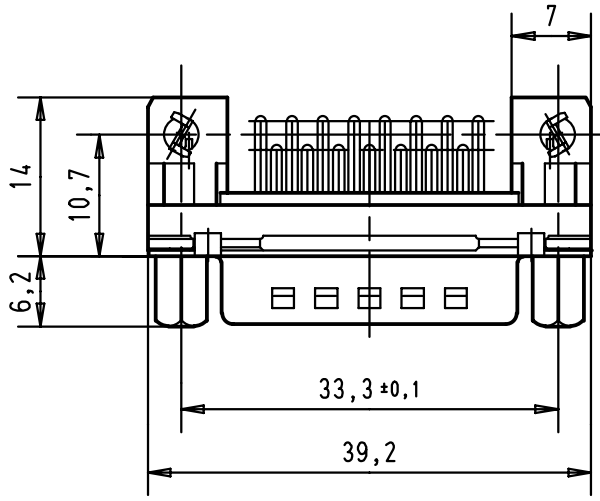
5 4 3 2 1

Mating face according to MIL-C-24308 / DIN 41 652 / CECC 75301-802

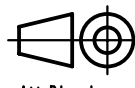
No. 1 contact



Printed board layout (1,6±0,2 thick)
View component side
(PCB plating = Tin)



Mounting force on Printed board : 25 - 80 N

						Dat.		Name		 All Dim. in mm Orig. Size DIN A 4	D-Sub male low profile 15 poles with solder pins, screw-lock, board lock and grounding pins	Maßstab/ Scale 1,5:1
						Detail.		JB				
						Insp.						
						Stand.						
09 66 262 6817	4-40 UNC	2										
09 66 262 7817	4-40 UNC	3										
09 66 262 5817	4-40 UNC	0,76 µm Au	29733	23-NOV-01	JB							
Part number	screw-lock	Performance level	Mod.	Dat.	Name	HARTING EURL F-95972 Paris				TB 09 66 262 X81x Sub.	Blatt/ Page 5	