

Specification Sheet

USB2.0 Flash Drive Handy Steno AH326



Table of Contents

1. Product Introduction.....	3
2. Product Features.....	3
3. Specifications.....	4
4. Physical Dimension.....	4

1. Product Introduction

Handy Steno AH326 features the innovative “U-Ring” sliding cover with exquisite, sleek, and hand-touch design, bringing out the utilitarian and aesthetic value of a flash drive to its maximum.

The crystal red “U-Ring” sliding cover of AH326 combines the ring with the sliding cover structure and gives itself a simplistic yet elegant appearance. The unique “U-Ring” design of AH326 not only gives AH326 a delicate touch similar to a sliding cell phone, but also prevents the cap from missing. With the anti-slip texture, it also delivers a user experience with nice usability. The combination of all these features makes AH326 a true model of utilitarian aesthetics. Additionally, the crystal red “U-Ring” is eye-catching in comparison with its black and white base colors and can be further customized with your favorite decorations to become a stylish personal accessory.

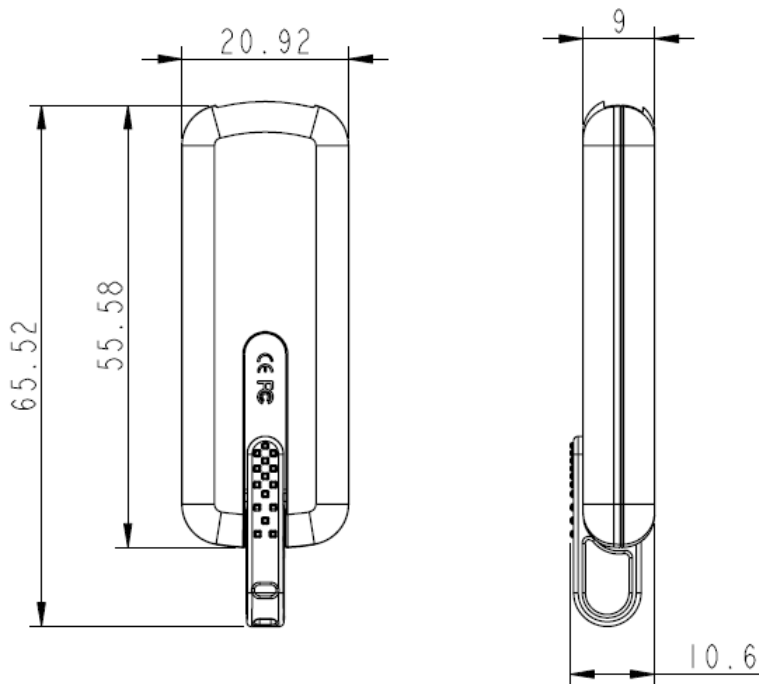
2. Product Features

- USB 2.0 Hi-Speed interface
- Easy plug & play
- Innovative U-ring sliding cover
- Sleek and pebble-like hand-touch design
- Strap hole allows AH326 to be further customized with personal decorations
- Available colors: black & white

3. Specifications

Interface	High-Speed USB 2.0 certified, backward compatible with USB 1.1
Power supply	USB Bus-Powered No external power required
Operating Systems Supported	Windows XP / 2000 / Vista/7, Mac OS 10.4 and Linux 2.6.4 or above
Capacity	2GB~64GB
Operating Temperature	0° C to +60° C (32° F to 140° F)
Storage Temperature	-20° C to +60° C (-4° F to +140° F)
Dimension	(L) 65.6 x (W) 21 x (H)10.6 mm
Weight	8g approx.

4. Physical Dimension



Unit: mm