

# B212100N2\*\*

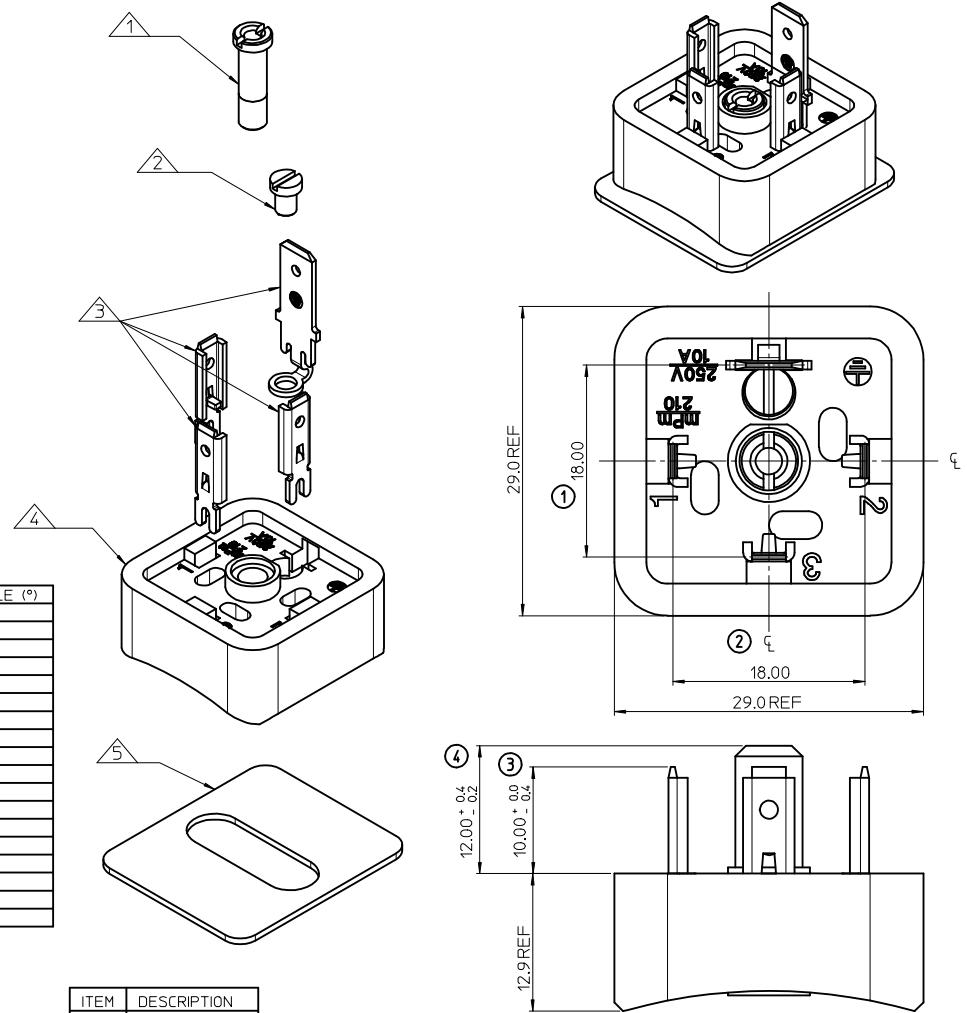
SERIES \_\_\_\_\_  
 B21= FORM A \_\_\_\_\_  
 POLES \_\_\_\_\_  
 2= 2 POLE & 3= 3 POLE \_\_\_\_\_  
 CURVED BASE DIAMETER \_\_\_\_\_  
 040= Ø40, 045= Ø45, 050= Ø50, 060= Ø60, 080= Ø80, 100= Ø100, 160= Ø160,  
 MATERIAL AND HOUSING COLOUR \_\_\_\_\_  
 G= PA6 GRAY, N= PA6 BLACK, W= PA6 BLACK V0, T= TRANSPARENT \_\_\_\_\_  
 SCREW AND GASKET \_\_\_\_\_  
 2= NBR FLAT GASKET & SCREWS \_\_\_\_\_  
 4= SILICON FLAT GASKET & SCREWS \_\_\_\_\_  
 NON STANDARD COMPONENTS \_\_\_\_\_  
 SA= UL LISTED \_\_\_\_\_

### NOTES

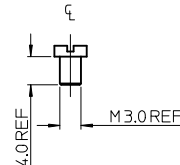
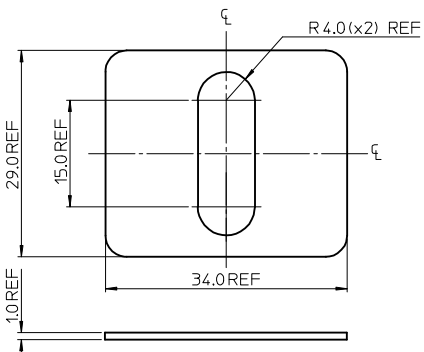
- PLEASE SEE TABLE FOR CURRENTLY CONFIGURED PART NUMBERS.  
 FOR SPECIFIC PART NUMBERS PLEASE CONTACT SALES OR CONSULT THE INTELLIGENT PART NUMBERS IN THE TABLE ATTACHED.
- FOR PACKAGING SEE PACKAGING SPEC PK-121013-B21
- PRODUCT SPEC: SEE PS-121201-001
- TERMINALS BENT AFTER INSERTION FOR BEND ANGLE SEE TABLE

LAST INSPECTION NUMBER 4

PART No.	mPm PART No.	DESCRIPTION	TERMINAL BEND ANGLE (°)
1210120025	B212040N2	TYPE A 2P BLACK, Ø40 NBR FLAT GASKET & SCREWS	180
1210120027	B212045N4	TYPE A 2P BLACK, Ø45 SILICON FLAT GASKET & SCREWS	180
1210120029	B212060N2	TYPE A 2P BLACK, Ø60 NBR FLAT GASKET & SCREWS	180
1210120030	B212060N4	TYPE A 2P BLACK, Ø60 SILICON FLAT GASKET & SCREWS	180
1210120032	B212080N2	TYPE A 2P BLACK, Ø80 NBR FLAT GASKET & SCREWS	180
1210120026	B212045N2	TYPE A 2P BLACK, Ø45 NBR FLAT GASKET & SCREWS	180
1210120028	B212050N2	TYPE A 2P BLACK, Ø50 NBR FLAT GASKET & SCREWS	180
1210120045	B213160N2	TYPE A 3P BLACK, Ø160 NBR FLAT GASKET & SCREWS	180
1210120042	B213060N2	TYPE A 3P BLACK, Ø60 NBR FLAT GASKET & SCREWS	180
1210120040	B213050N2	TYPE A 3P BLACK, Ø50 NBR FLAT GASKET & SCREWS	180
1210120033	B212080N4	TYPE A 2P BLACK, Ø80 SILICON FLAT GASKET & SCREWS	180
1210120034	B212100N2	TYPE A 2P BLACK, Ø100 NBR FLAT GASKET & SCREWS	180
1210120036	B212160N2	TYPE A 2P BLACK, Ø160 NBR FLAT GASKET & SCREWS	180
1210120037	B213040N2	TYPE A 3P BLACK, Ø40 NBR FLAT GASKET & SCREWS	180
1210120044	B213100N2	TYPE A 3P BLACK, Ø100 NBR FLAT GASKET & SCREWS	180
1210120141	B212050N4	TYPE A 2P BLACK, Ø50 SILICON FLAT GASKET & SCREWS	180
1210120149	B212160N4	TYPE A 2P BLACK, Ø160 SILICON FLAT GASKET & SCREWS	180
1210120183	B212050W2SA	TYPE A 2P BLACK, Ø50 NBR FLAT GASKET & SCREWS, UL LISTED	180



ITEM	DESCRIPTION
1	INSERT
2	EARTH SCREW
3	TERMINALS
4	HOUSING
5	GASKET



<b>ADDED PART NUMBER</b> EC NO: IFC2014-1836 DRW: NSHEA 2014/04/22 CHKD: SMCREVEY 2014/04/23 APPR: STIGLFFIN 2014/05/06	QUALITY SYMBOLS ▽=0 ▽=0	GENERAL TOLERANCES (UNLESS SPECIFIED) mm INCH		DIMENSION STYLE <b>MM ONLY</b>		SCALE <b>3:1</b>	DESIGN UNITS <b>METRIC</b>	THIRD ANGLE PROJECTION
		4 PLACES ± --- ± --- 3 PLACES ± --- ± --- 2 PLACES ± 0.1 ± --- 1 PLACE ± 0.2 ± --- ANGULAR ± ---°	DRAWN BY JOCONNOR CHECKED BY DMAHER APPROVED BY EFOLAN	DATE 2011/06/22 DATE 2011/06/22 DATE 2011/07/12	TITLE <b>B21 SERIES BASE</b>			
DRAFT WHERE APPLICABLE MUST REMAIN WITHIN DIMENSIONS	SEE CHART		MATERIAL NO. EFOLAN			DOCUMENT NO. <b>SD-121012-004</b>		SHEET NO. 1 OF 1
THIS DRAWING CONTAINS INFORMATION THAT IS PROPRIETARY TO MOLEX INCORPORATED AND SHOULD NOT BE USED WITHOUT WRITTEN PERMISSION								