

High Speed, Quad SPST, CMOS Analog Switch

August 1997

Features

- **Fast Switching Times**
 - t_{ON} 30ns
 - t_{OFF} 40ns
- **Low "ON" Resistance** 30 Ω
- **Pin Compatible with Standard HI-201**
- **Wide Analog Voltage Range ($\pm 15V$ Supplies)** $\pm 15V$
- **Low Charge Injection ($\pm 15V$ Supplies)** 10pC
- **TTL Compatible**
- **Symmetrical Switching Analog Current Range** .. 80mA

Applications

- High Speed Multiplexing
- High Frequency Analog Switching
- Sample and Hold Circuits
- Digital Filters
- Operational Amplifier Gain Switching Networks
- Integrator Reset Circuits

Description

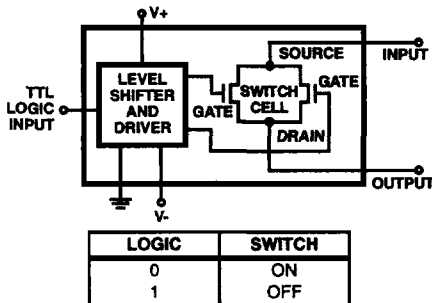
The HI-201HS is a monolithic CMOS Analog Switch featuring very fast switching speeds and low ON resistance. The integrated circuit consists of four independently selectable SPST switches and is pin compatible with the industry standard HI-201 switch.

Fabricated using silicon-gate technology and the Harris Dielectric Isolation process, this TTL compatible device offers improved performance over previously available CMOS analog switches. Featuring maximum switching times of 50ns, low ON resistance of 50 Ω maximum, and a wide analog signal range, the HI-201HS is designed for any application where improved switching performance, particularly switching speed, is required. (A more detailed discussion on the design and application of the HI-201HS can be found in Application Note AN543.)

Ordering Information

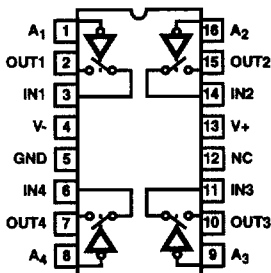
| PART NUMBER | TEMP. RANGE (°C) | PACKAGE | PKG. NO. |
|----------------|------------------|--------------|----------|
| HI1-0201HS-5 | 0 to 75 | 16 Ld CERDIP | F16.3 |
| HI3-0201HS-4 | -25 to 85 | 16 Ld PDIP | E16.3 |
| HI1-0201HS-2 | -55 to 125 | 16 Ld CERDIP | F16.3 |
| HI1-0201HS-4 | -25 to 85 | 16 Ld CERDIP | F16.3 |
| HI4P0201HS-5 | 0 to 75 | 20 Ld PLCC | N20.35 |
| HI3-0201HS-5 | 0 to 75 | 16 Ld PDIP | E16.3 |
| HI1-0201HS-7 | 0 to 75 | 16 Ld CERDIP | F16.3 |
| HI4-0201HS/883 | -55 to 125 | 20 Ld CLCC | J20.A |
| HI9P0201HS-5 | 0 to 75 | 16 Ld SOIC | M16.3 |
| HI9P0201HS-9 | -40 to 85 | 16 Ld SOIC | M16.3 |
| HI1-0201HS/883 | -55 to 125 | 16 Ld CERDIP | F16.3 |
| HI1-0201HS-8 | -55 to 125 | 16 Ld CERDIP | F16.3 |

Functional Diagram

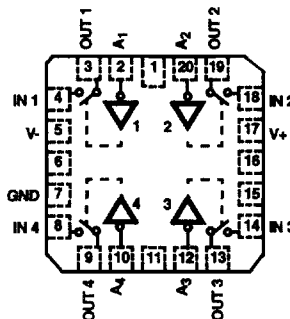


Pinouts

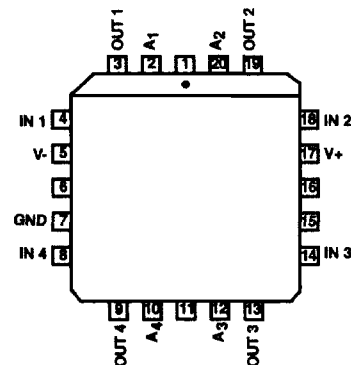
HI-201HS (CERDIP, PDIP, SOIC)
TOP VIEW



HI201HS (CLCC)
TOP VIEW

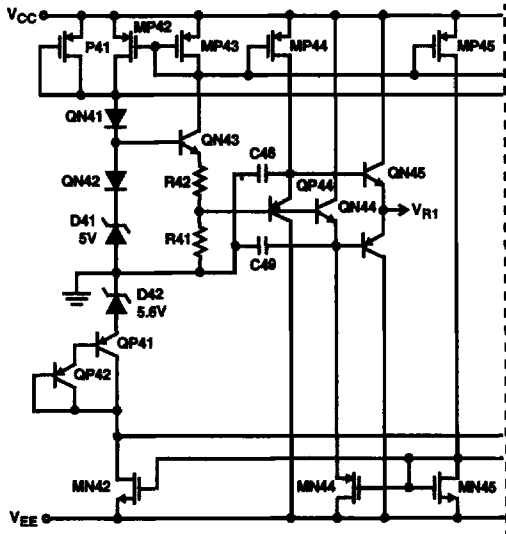


HI201HS (PLCC)
TOP VIEW

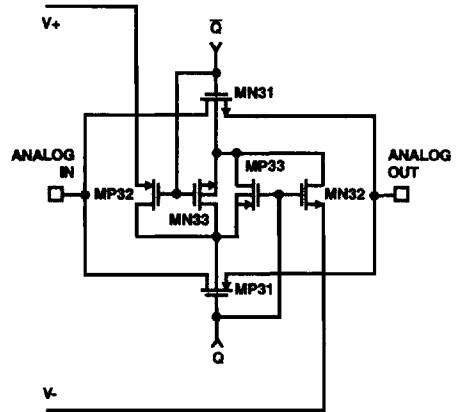


Schematic Diagrams

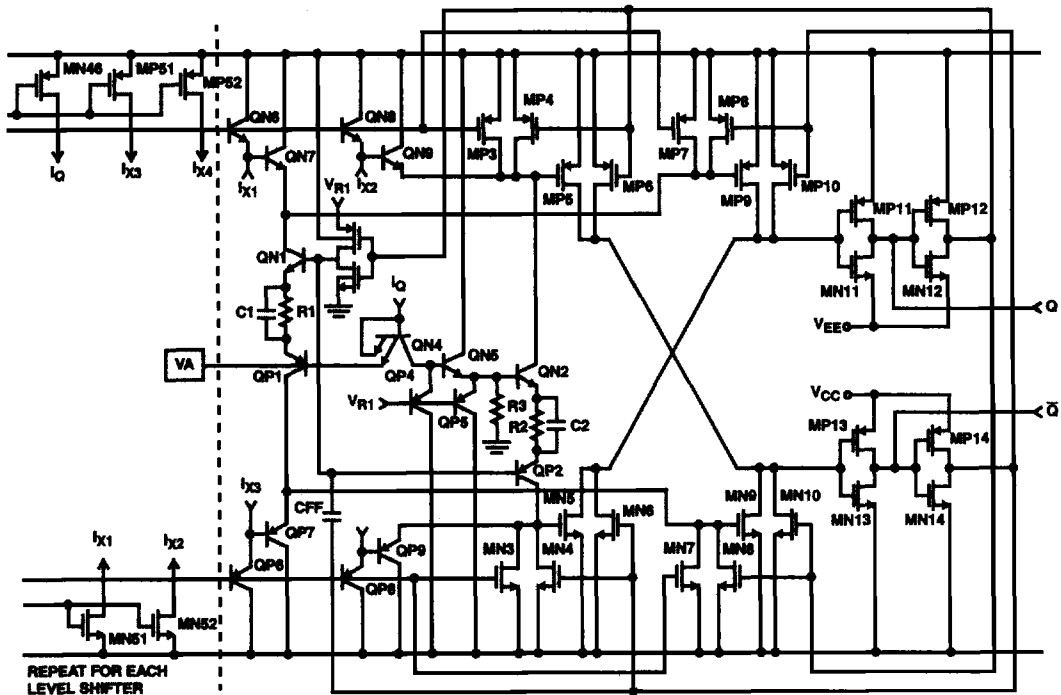
TTL/CMOS REFERENCE CIRCUIT



SWITCH CELL



DIGITAL INPUT BUFFER AND LEVEL SHIFTER



REPEAT FOR EACH LEVEL SHIFTER

HI-201HS

Absolute Maximum Ratings

| | |
|---|--------------------|
| Supply Voltage (Between Pins 4 and 13) | 36V |
| Digital Input Voltage (Pins 1, 8, 9, 16) | (V+) +4V, (V-) -4V |
| Analog Input Voltage (One Switch) | (V+) +2.0V |
| Pins 2, 3, 6, 7, 10, 11, 14, 15 | (V-) -2.0V |
| Peak Current (S or D) | |
| (Pulse at 1ms, 10% Duty Cycle Max) | 50mA |
| Continuous Current Any Terminal (Except S or D) | 25mA |

Thermal Information

| | | |
|--------------------------------------|----------------------|----------------------|
| Thermal Resistance (Typical, Note 1) | θ_{JA} (°C/W) | θ_{JC} (°C/W) |
| CERDIP Package | 80 | 30 |
| CLCC Package | 65 | 14 |
| PDIP Package | 100 | N/A |
| PLCC Package | 80 | N/A |
| SOIC Package | 100 | N/A |

Operating Conditions

| | |
|--------------------|----------------|
| Temperature Ranges | |
| HI-201HS-2,-8 | -55°C to 125°C |
| HI-201HS-4 | -25°C to 85°C |
| HI-201HS-5,-7 | 0°C to 75°C |
| HI-201HS-9 | -40°C to 85°C |

| | |
|--|----------------|
| Maximum Junction Temperature | |
| Ceramic Package | 175°C |
| Plastic Package | 150°C |
| Maximum Storage Temperature | -65°C to 150°C |
| Maximum Lead Temperature (Soldering 10s) | 300°C |
| (SOIC, PLCC - Lead Tips Only) | |

CAUTION: Stresses above those listed in "Absolute Maximum Ratings" may cause permanent damage to the device. This is a stress only rating and operation of the device at these or any other conditions above those indicated in the operational sections of this specification is not implied.

NOTE:

- θ_{JA} is measured with the component mounted on an evaluation PC board in free air.

Electrical Specifications Supplies = +15V, -15V; V_{AH} (Logic Level High) = 2.4V, V_{AL} (Logic Level Low) = +0.8V, GND = 0V, Unless Otherwise Specified

| PARAMETER | TEST CONDITIONS | TEMP (°C) | HI-201HS-2/-8 | | | HI-201HS-5/-4/-9/-7 | | | UNITS |
|---|-----------------|-----------|---------------|------|------|---------------------|------|------|-------|
| | | | MIN | TYP | MAX | MIN | TYP | MAX | |
| SWITCHING CHARACTERISTICS | | | | | | | | | |
| t_{ON} , Switch On Time | (Note 3) | 25 | - | 30 | 50 | - | 30 | 50 | ns |
| t_{OFF1} , Switch Off Time | (Note 3) | 25 | - | 40 | 50 | - | 40 | 50 | ns |
| t_{OFF2} , Switch Off Time | (Note 3) | 25 | - | 150 | - | - | 150 | - | ns |
| Output Settling Time 0.1% | | 25 | - | 180 | - | - | 180 | - | ns |
| "Off Isolation" | (Note 4) | 25 | - | 72 | - | - | 72 | - | dB |
| Crosstalk | (Note 5) | 25 | - | 86 | - | - | 86 | - | dB |
| Charge Injection | (Note 6) | 25 | - | 10 | - | - | 10 | - | pC |
| $C_{S(OFF)}$, Input Switch Capacitance | | 25 | - | 10 | - | - | 10 | - | pF |
| $C_{D(OFF)}$, } Output Switch Capacitance | | 25 | - | 10 | - | - | 10 | - | pF |
| | $C_{D(ON)}$, } | 25 | - | 30 | - | - | 30 | - | pF |
| C_A , Digital Input Capacitance | | 25 | - | 18 | - | - | 18 | - | pF |
| $C_{DS(OFF)}$, Drain-To-Source Capacitance | | 25 | - | 0.5 | - | - | 0.5 | - | pF |
| DIGITAL INPUT CHARACTERISTICS | | | | | | | | | |
| V_{AL} , Input Low Threshold | | Full | - | - | 0.8 | - | - | 0.8 | V |
| V_{AH} , Input High Threshold | | 25 | 2.0 | - | - | 2.0 | - | - | V |
| | | Full | 2.4 | - | - | 2.4 | - | - | V |
| I_{AL} , Input Leakage Current (Low) | | 25 | - | -200 | - | - | -200 | - | μA |
| | | Full | - | - | -500 | - | - | -500 | μA |
| I_{AH} , Input Leakage Current (High) | $V_{AH} = 4.0V$ | 25 | - | 20 | - | - | 20 | - | μA |
| | Full | Full | - | - | +40 | - | - | +40 | μA |
| ANALOG SWITCH CHARACTERISTICS | | | | | | | | | |
| V_S , Analog Signal Range | | Full | -15 | - | +15 | -15 | - | +15 | V |
| r_{ON} , On Resistance | (Note 2) | 25 | - | 30 | 50 | - | 30 | 50 | Ω |
| | | Full | - | - | 75 | - | - | 75 | Ω |
| r_{ON} , Match | | 25 | - | 3 | - | - | 3 | - | % |

Electrical Specifications Supplies = +15V, -15V; V_{AH} (Logic Level High) = 2.4V, V_{AL} (Logic Level Low) = +0.8V, GND = 0V, Unless Otherwise Specified (Continued)

| PARAMETER | TEST CONDITIONS | TEMP (°C) | HI-201HS-2/-8 | | | HI-201HS-5/-4/-9/-7 | | | UNITS |
|--|-----------------|-----------|---------------|-----|------|---------------------|-----|------|-------|
| | | | MIN | TYP | MAX | MIN | TYP | MAX | |
| $I_{S(OFF)}$, Off Input Leakage Current | | 25 | - | 0.3 | 10 | - | 0.3 | 10 | nA |
| | | Full | - | - | 100 | - | - | 50 | nA |
| $I_{D(OFF)}$, Off Output Leakage Current | | 25 | - | 0.3 | 10 | - | 0.3 | 10 | nA |
| | | Full | - | - | 100 | - | - | 50 | nA |
| $I_{D(ON)}$, On Leakage Current | | 25 | - | 0.1 | 10 | - | 0.1 | 10 | nA |
| | | Full | - | - | 100 | - | - | 50 | nA |
| POWER SUPPLY CHARACTERISTICS (Note 7) | | | | | | | | | |
| P_D , Power Dissipation | | 25 | - | 120 | - | - | 120 | - | mW |
| | | Full | - | - | 240 | - | - | 240 | mW |
| I_+ , Current (Pin 13) | | 25 | - | 4.5 | - | - | 4.5 | - | mA |
| | | Full | - | - | 10.0 | - | - | 10.0 | mA |
| I_- , Current (Pin 4) | | 25 | - | 3.5 | - | - | 3.5 | - | mA |
| | | Full | - | - | 6 | - | - | 6 | mA |

NOTES:

1. Absolute maximum ratings are limiting values, applied individually, beyond which the serviceability of the circuit may be impaired. Functional operability under any of these conditions is not necessarily implied.
2. $V_{OUT} = \pm 10V$, $I_{OUT} = 1mA$.
3. $R_L = 1k\Omega$, $C_L = 35pF$, $V_{IN} = +10V$, $V_A = +3V$. (See Switching Waveforms).
4. $V_A = 3V$, $R_L = 1k\Omega$, $C_L = 10pF$, $V_{IN} = 3V_{RMS}$, $f = 100kHz$.
5. $V_A = 3V$, $R_L = 1k\Omega$, $V_{IN} = 3V_{RMS}$, $f = 100kHz$.
6. $C_L = 1000pF$, $V_{IN} = 0V$, $R_{IN} = 0V$, $\Delta Q = C_L \times \Delta V_O$.
7. $V_A = 3V$ or $V_A = 0$ for all switches.

Switching Waveforms

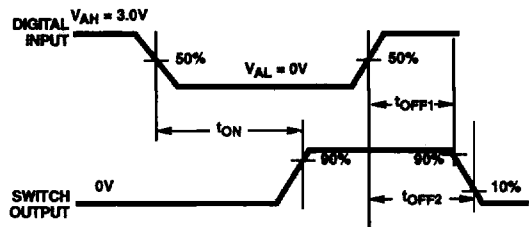


FIGURE 1A.



TOP: TTL Input (2V/Div.) BOTTOM: Output (5V/Div.)
HORIZONTAL: 100ns/Div.

FIGURE 1B.

FIGURE 1. SWITCH t_{ON} AND t_{OFF} TIMES

Typical Performance Curves

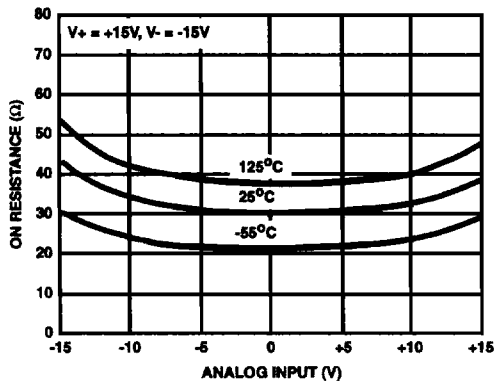


FIGURE 2. "ON" RESISTANCE vs ANALOG SIGNAL LEVEL AND TEMPERATURE

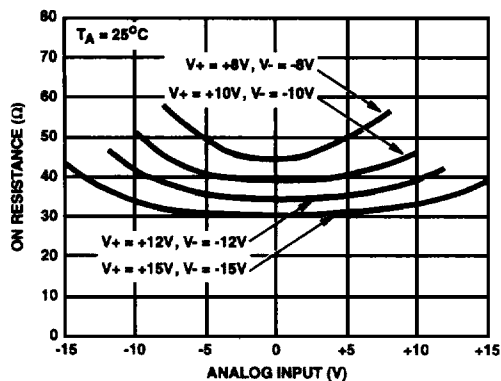


FIGURE 3. "ON" RESISTANCE vs ANALOG SIGNAL LEVEL AND POWER SUPPLY VOLTAGE

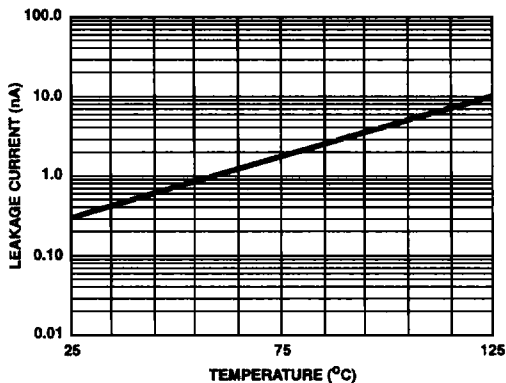


FIGURE 4. $I_{S(OFF)}$ OR $I_{D(OFF)}$ vs TEMPERATURE†

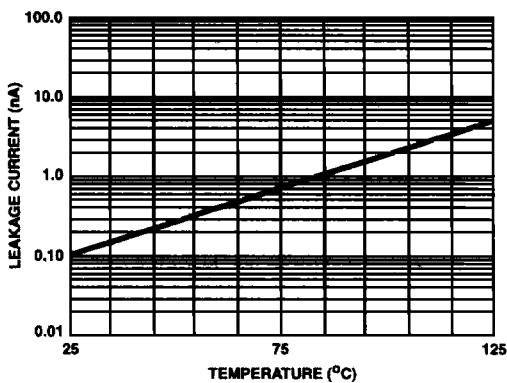


FIGURE 5. $I_{D(ON)}$ vs TEMPERATURE†

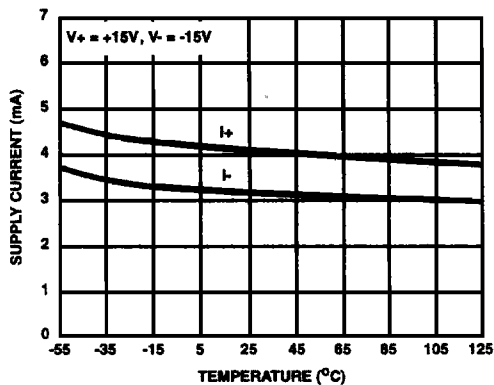


FIGURE 6. SUPPLY CURRENT vs TEMPERATURE

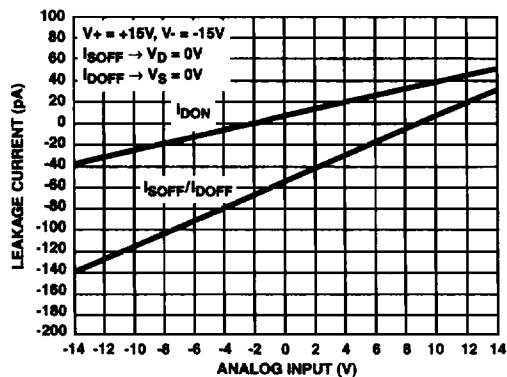


FIGURE 7. LEAKAGE CURRENT vs ANALOG INPUT VOLTAGE

† Theoretically, leakage current will continue to decrease below 25°C. But due to environmental conditions, leakage measurements below this temperature are not representative of actual switch performance.

Typical Performance Curves (Continued)

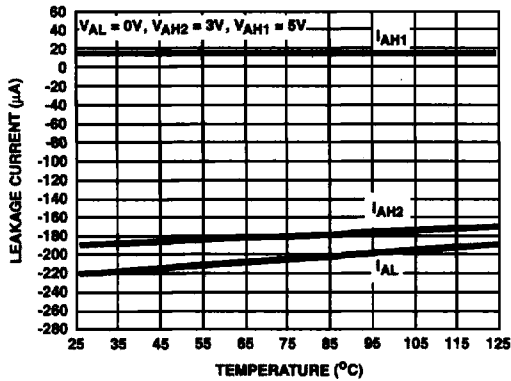


FIGURE 8. DIGITAL INPUT LEAKAGE CURRENT vs TEMPERATURE†

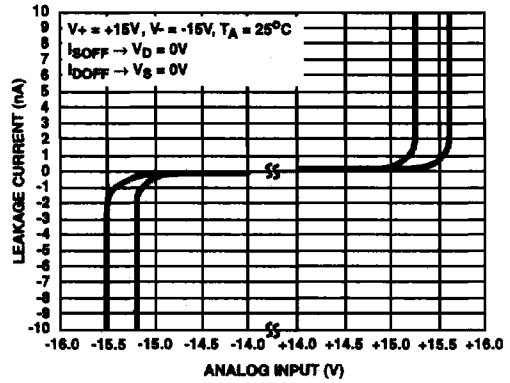


FIGURE 9. LEAKAGE CURRENT vs ANALOG INPUT VOLTAGE

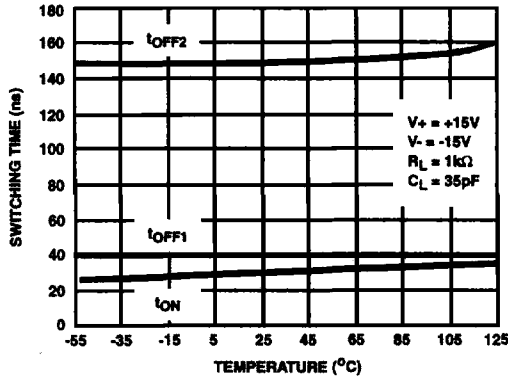


FIGURE 10. SWITCHING TIME vs TEMPERATURE

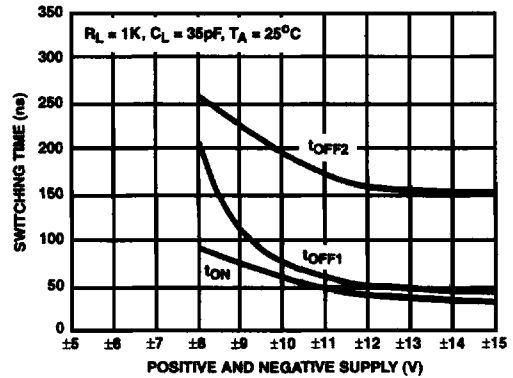


FIGURE 11. SWITCHING TIME vs POSITIVE AND NEGATIVE SUPPLY VOLTAGE

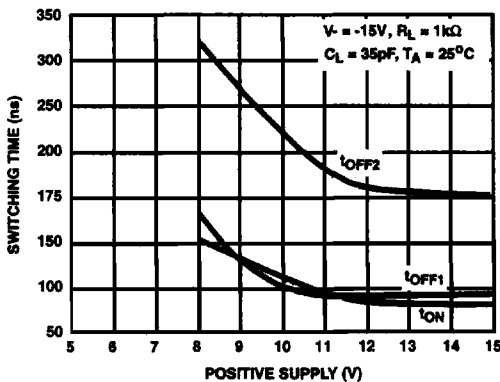


FIGURE 12. SWITCHING TIME vs POSITIVE SUPPLY VOLTAGE

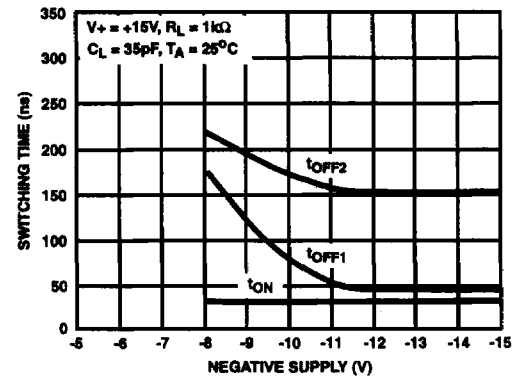


FIGURE 13. SWITCHING TIME vs NEGATIVE SUPPLY VOLTAGE

† Theoretically, leakage current will continue to decrease below 25°C. But due to environmental conditions, leakage measurements below this temperature are not representative of actual switch performance.

Typical Performance Curves (Continued)

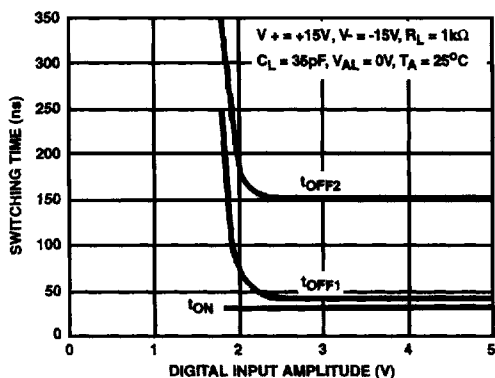


FIGURE 14. SWITCHING TIME vs INPUT LOGIC AMPLITUDE

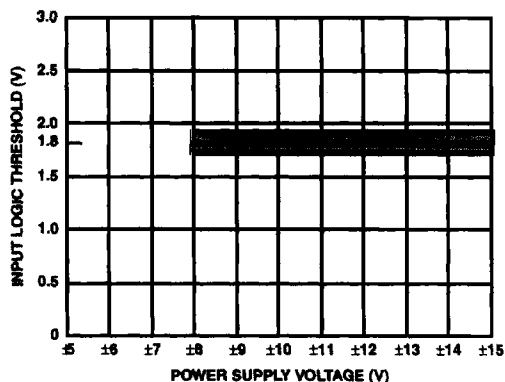


FIGURE 15. INPUT SWITCHING THRESHOLD vs POSITIVE AND NEGATIVE SUPPLY VOLTAGES

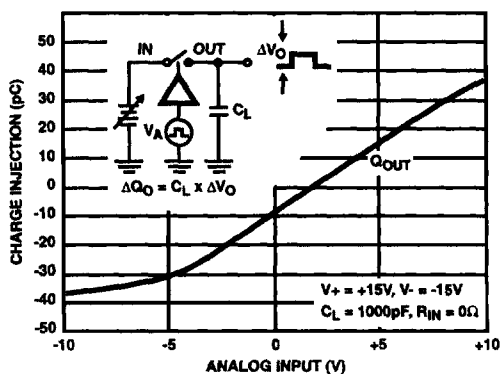


FIGURE 16. CHARGE INJECTION vs ANALOG INPUT

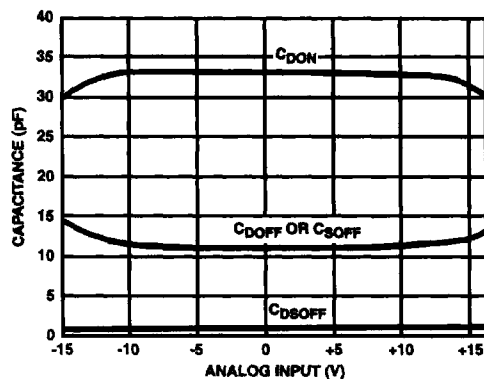


FIGURE 17. CAPACITANCE vs ANALOG INPUT

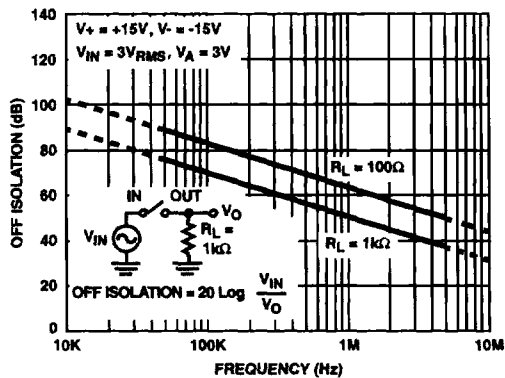


FIGURE 18. OFF ISOLATION vs FREQUENCY

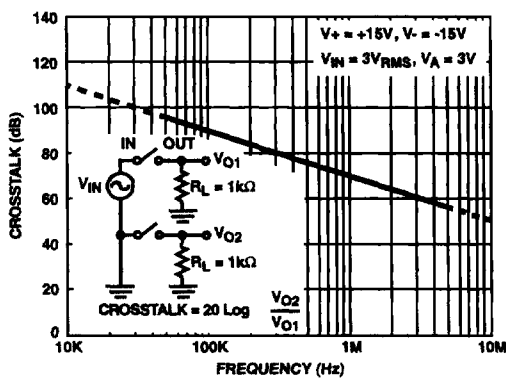


FIGURE 19. CROSSTALK vs FREQUENCY

Test Circuit

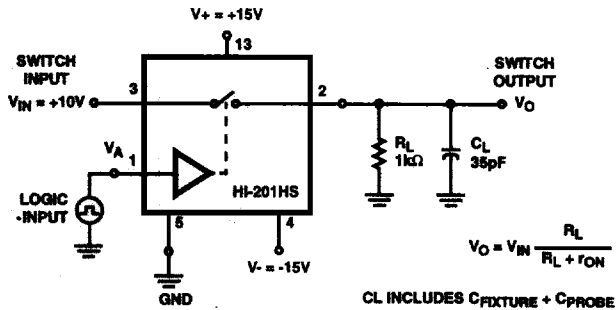


FIGURE 20. SWITCHING TEST CIRCUIT (t_{ON} , t_{OFF1} , t_{OFF2})

Switching Characteristics

Typical delay, t_{ON} , t_{OFF} , settling time and switching transients in this circuit. If R_L or C_L is increased, there will be corresponding increases in rise and/or fall RC times.

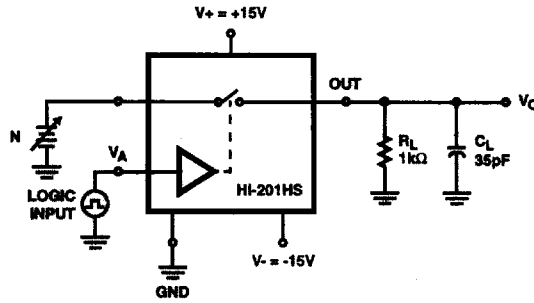


FIGURE 21A.

LOGIC INPUT



FIGURE 21B.

FIGURE 21. SWITCHING CHARACTERISTICS vs INPUT VOLTAGE

Switching Characteristics (Continued)

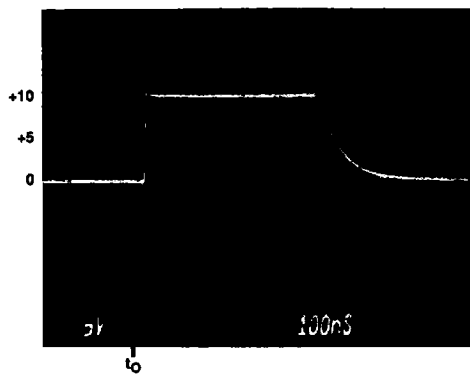


FIGURE 22A. $V_{IN} = +10V$

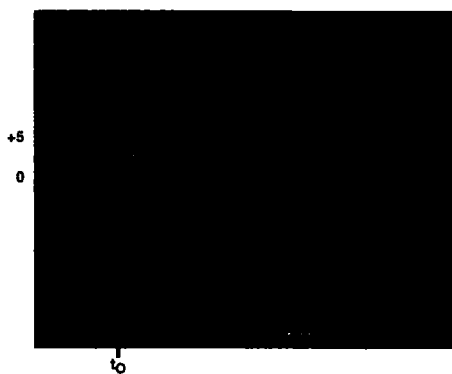


FIGURE 22B. $V_{IN} = +5V$

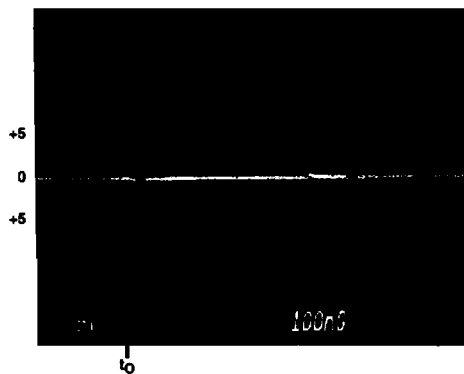


FIGURE 22C. $V_{IN} = 0V$

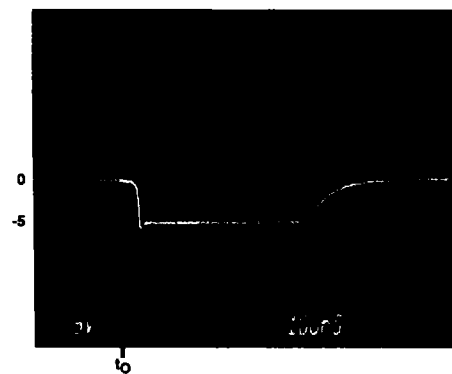


FIGURE 22D. $V_{IN} = -5V$



FIGURE 22E. $V_{IN} = -10V$

FIGURE 22. V_O - OUTPUT SWITCHING WAVEFORMS

Application Information

Logic Compatibility

The HI-201HS is TTL compatible. Its logic inputs (pins 1, 8, 9, and 16) are designed to react to digital inputs which exceed a fixed, internally generated TTL switching threshold. The HI-201HS can also be driven with CMOS logic (0V-15V), although the switch performance with CMOS logic will be inferior to that with TTL logic (0V-5V).

The logic input design of the HI-201HS is largely responsible for its fast switching speed. It is a design which features a unique input stage consisting of complementary vertical PNP and NPN bipolar transistors. This design differs from that of the standard HI-201 product where the logic inputs are MOS transistors.

Although the new logic design enhances the switching speed performance, it also increases the logic input leakage currents. Therefore, the HI-201HS will exhibit larger digital input leakage currents in comparison to the standard HI-201 product.

Charge Injection

Charge injection is the charge transferred, through the internal gate-to-channel capacitances, from the digital logic input to the analog output. To optimize charge injection performance for the HI-201HS, it is advisable to provide a TTL logic input with fast rise and fall times.

If the power supplies are reduced from $\pm 15V$, charge injection will become increasingly dependent upon the digital input frequency. Increased logic input frequency will result in larger output error due to charge injection.

Power Supply Considerations

The electrical characteristics specified in this data sheet are guaranteed for power supplies $\pm V_S = \pm 15V$. Power supply voltages less than $\pm 15V$ will result in reduced switch performance. The following information is intended as a design aid only.

| POWER SUPPLY VOLTAGES | SWITCH PERFORMANCE |
|---------------------------------|--|
| $\pm 12 < \pm V_S \leq \pm 15V$ | Minimal Variation |
| $\pm V_S < \pm 12V$ | Parametric variation becomes increasingly large (Increased ON resistance, longer switching times). |
| $\pm V_S < \pm 10V$ | Not Recommended. |
| $\pm V_S > \pm 16V$ | Not Recommended. |

Single Supply

The switch operation of the HI-201HS is dependent upon an internally generated switching threshold voltage optimized for $\pm 15V$ power supplies. The HI-201HS does not provide the necessary internal switching threshold in a single supply system. Therefore, if single supply operation is required, the HI-300 series of switches is recommended. The HI-300 series will remain operational to a minimum +5V single supply.

Switch performance will degrade as power supply voltage is reduced from optimum levels ($\pm 15V$). So it is recommended that a single supply design be thoroughly evaluated to ensure that the switch will meet the requirements of the application.

For Further Information See Application Notes AN520, AN521, AN531, AN532, AN543 and AN557.

HI-201HS

Die Characteristics

DIE DIMENSIONS:

2440 μ m x 2860 μ m x 485 μ m \pm 25 μ m

METALLIZATION:

Type: CuAl

Thickness: 16k \AA \pm 2k \AA

PASSIVATION:

Type: Nitride Over Silox

Nitride Thickness: 3.5k \AA \pm 1k \AA

Silox Thickness: 12k \AA \pm 2k \AA

WORST CASE CURRENT DENSITY:

9.5 x 10⁴ A/cm²

Metallization Mask Layout

