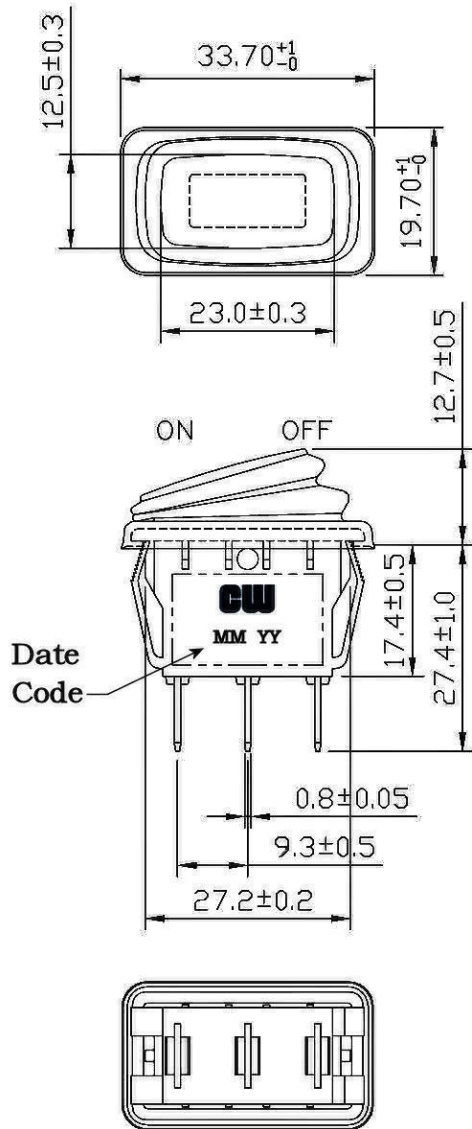
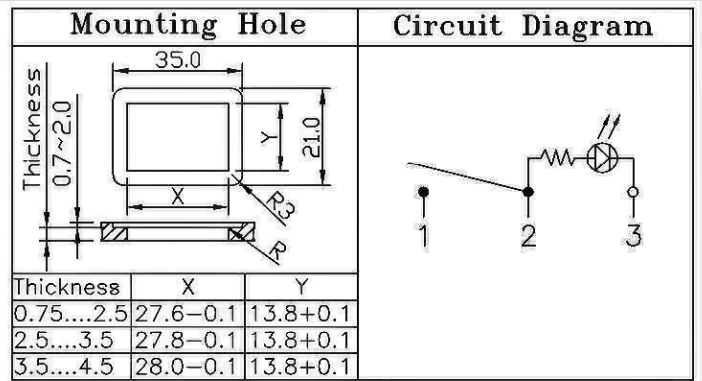


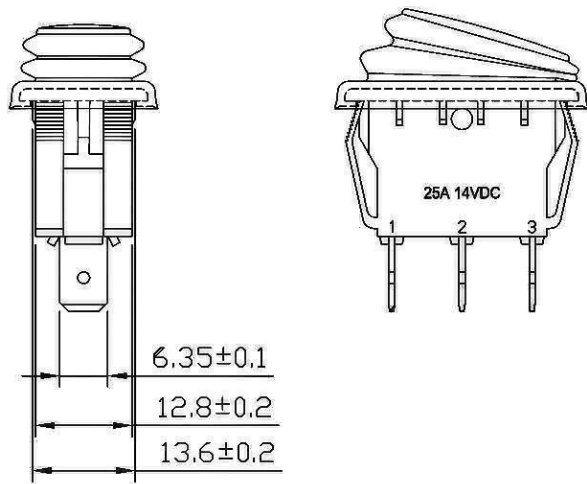
THIS INFORMATION IS CONFIDENTIAL AND PROPRIETARY TO CW INDUSTRIES INCORPORATED AND ITS AFFILIATES. IT MAY NOT BE DISCLOSED TO ANYONE, OTHER THAN CW INDUSTRIES PERSONNEL, WITHOUT WRITTEN AUTHORIZATION FROM CW INDUSTRIES INCORPORATED, SOUTHAMPTON, PENNSYLVANIA USA.

Rating	25A 14VDC		
Contact Resistance	50m ohm Max.		
Insulation Resistance	DC 500V 100M ohm Min.		
Dielectric Strength	AC 1500V 1 minute		
Operation Temp.	- 25° C ~ 85° C		
Switch Function	3P SPST ON-OFF Lamp Dependent		
Lamp Type	LED	Red 12VDC 14V	w/resistor



***MATERIAL:**

- Frame: Black, Nylon 66 (94-V2).
- Actuator: Red, PC Clear (94-V2).
- LED: Red.
- Waterproof Rubber: Black, Silicone.
- Terminals 1, 2: Silver plated, Copper alloy.
- Terminal 3: Brass alloy.
- Printed: None
- IP Rating: IP65



RoHS Compliant

- 2 Added Dependent to switch function & Lamp type. 12/08/11.
- 1 Added Led: Red to Material Notes. 1/12/11

CW INDUSTRIES
 Southampton, Pa. 18966
 Tel 215.355.7080/www.cwind.com

Date Drawn: 1/12/11

Rev. 2

Unit: mm

Checked By: *G. Gold*

Title: **ROCKER SWITCH**

CW P/N: **GRB238B801BR1**