

$I_O = 1\text{ A}$, $V_{IN} = 27\text{ V}$ Linear Regulator IC NR301E, NR302A

Description

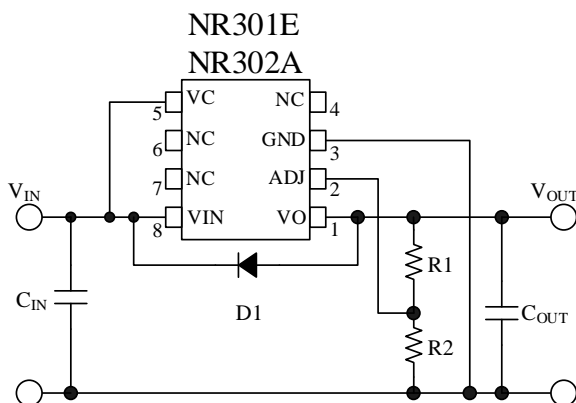
NR301E and NR302A are linear regulator ICs whose maximum output current is 1 A. Output voltage is adjusted by external resistors. The IC uses the 8 pin surface mount package with exposed thermal pad.

The IC has various functions including the Output On/Off Function, the Overcurrent Protection and the Thermal Shutdown, and achieves a linear regulator circuit with few external components. In addition, stable output voltage with ceramic capacitor reduces the mounting area compared to using electrolytic capacitors.

Features

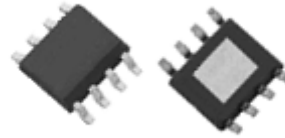
- Reducing Mounting Area
Stable with a Ceramic Output Capacitor
- Adjustable Output Voltage ($V_{OUT} = 1.1\text{ V}$ to 16 V)
- Output On/Off Function
- Protections:
Overcurrent Protection (OCP): Fold-back
Thermal Shutdown (TSD) with Hysteresis: Auto-restart

Typical Application



Packages

NR301E: eSOIC8
NR302A: HSOP8



Not to scale

Specifications

- Recommended Input Voltage, V_{IN} : 2.7 V to 27 V
- Voltage Reference, V_{ADJ} : $1.0\text{ V} \pm 1.5\%$
- Output Current, I_O : 1.0 A
- Typical Dropout Voltage, V_{DIF} : 0.6 V

Applications

- Audio Visual Equipment
- Office Automation Equipment
- White Goods

Contents

Description	1
Contents	2
1. Absolute Maximum Ratings	3
2. Recommended Operating Range	3
3. Electrical Characteristics	4
4. Thermal Resistance Characteristics	4
5. Mechanical Characteristics	4
6. Performance Curves	5
7. Derating Curve	6
8. Block Diagram	7
9. Pin Configuration Definitions	7
10. Typical Application	8
11. Physical Dimensions	9
11.1. Land Pattern Example	10
12. Marking Diagram	10
13. Operational Description	11
13.1. Constant Voltage Control	11
13.2. Output Voltage Setting	11
13.3. Overcurrent Protection (OCP)	11
13.4. TSD (Thermal Shutdown Protection)	11
13.5. Output On/Off Function	12
14. Design Notes	12
14.1. Input and Output Capacitor	12
14.2. Protection Diode for Reverse Biasing	12
14.3. Considerations in Circuit Configuration	13
15. Pattern Layout Example	13
Important Notes	14

NR301E, NR302A

1. Absolute Maximum Ratings

Unless otherwise specified, $T_A = 25\text{ }^\circ\text{C}$.

Parameter	Symbol	Conditions	Rating	Unit
VIN Pin Voltage	V_{IN}		-0.3 to 30	V
VC Pin Voltage	V_C	$V_C \leq V_{IN}$	-0.3 to 30	V
ADJ Pin Voltage	V_{ADJ}		-0.3 to 5.0	V
Power Dissipation	P_D	The IC is mounted on the glass-epoxy board. See Figure 15-1.	2.27	W
Junction Temperature	T_J		-40 to 125	$^\circ\text{C}$
Storage Temperature	T_{stg}		-40 to 125	$^\circ\text{C}$

2. Recommended Operating Range

Parameter	Symbol	Min.	Max.	Unit
VIN Pin Voltage*	V_{IN}	2.7	27	V
Output Current*	I_{OUT}	0	1.0	A
Output Voltage*	V_{OUT}	1.1	16	V
Operating Ambient Temperature	$T_{OP(A)}$	-30	85	$^\circ\text{C}$
Operating Junction Temperature	$T_{OP(J)}$	-30	100	$^\circ\text{C}$

*Following equation shows the relationship between V_{IN} , V_{OUT} , and I_{OUT} . Thus, Dropout Voltage ($V_{IN} - V_{OUT}$) or I_{OUT} may be limited in some conditions.

$$P_D = (V_{IN} - V_{OUT}) \times I_{OUT}$$

NR301E, NR302A

3. Electrical Characteristics

Current polarities are defined as follows: current going into the IC (sinking) is positive current (+); current coming out of the IC (sourcing) is negative current (-).

Unless otherwise specified, $T_A = 25\text{ }^\circ\text{C}$, $V_{IN} = 6\text{ V}$ and $V_{OUT} = 5\text{ V}$ ($R_1 = 40\text{ k}\Omega$ and $R_2 = 10\text{ k}\Omega$).

Parameter	Symbol	Conditions	Min.	Typ.	Max.	Unit
Reference Voltage	V_{ADJ}	$I_{OUT} = 10\text{ mA}$	0.985	1.00	1.015	V
Line Regulation	ΔV_{LINE}	$V_{IN} = 6\text{ V to }15\text{ V}$, $I_{OUT} = 10\text{ mA}$	—	25	50	mV
Load Regulation	ΔV_{LOAD}	$I_{OUT} = 0\text{ A to }1\text{ A}$	—	30	60	mV
Dropout Voltage	ΔV_{DIF}	$I_{OUT} = 0.5\text{ A}$	—	0.3	0.4	V
		$I_{OUT} = 1\text{ A}$	—	0.6	0.8	V
Quiescent Current	I_Q	$I_{OUT} = 0\text{ mA}$, $V_C = 2\text{ V}$	0.5	0.9	1.6	mA
Circuit Current during Regulator Output Off	$I_{Q(OFF)}$	$V_C = 0\text{ V}$	—	0	1	μA
Output Voltage Temperature Coefficient	$\Delta V_{OUT}/\Delta T_A$	$T_J = 0\text{ }^\circ\text{C to }100\text{ }^\circ\text{C}$	—	± 0.5	—	mV/ $^\circ\text{C}$
Ripple Rejection Ratio	R.REJ	$V_{OUT} = 5\text{ V}$, $I_{OUT} = 0.1\text{ A}$, $f = 100\text{ Hz to }120\text{ Hz}$	—	55	—	dB
VC Pin Voltage (Output On)	$V_{C(H)}$	$I_{OUT} = 10\text{ mA}$	2.0	—	—	V
VC Pin Voltage (Output Off)	$V_{C(L)}$	$I_{OUT} = 10\text{ mA}$	—	—	0.6	V
VC Pin Current (Output On)	$I_{C(H)}$	$V_C = 2.0\text{ V}$	—	4	40	μA
VC Pin Current (Output Off)	$I_{C(L)}$	$V_C = 0\text{ V}$	-2	0	0.1	μA
Overcurrent Protection Operating Current	I_{S1}	*	1.1	—	—	A
Thermal Shutdown Operating Temperature	T_{SD}		135	155	—	$^\circ\text{C}$
Thermal Shutdown Temperature Hysteresis	$T_{SD(HYS)}$		—	50	—	$^\circ\text{C}$

* After the Overcurrent Protection is activated, I_{S1} is measured when the output voltage decreases by 5% from the reference output voltage ($I_{OUT} = 10\text{ mA}$).

4. Thermal Resistance Characteristics

Parameter	Symbol	Conditions	Min.	Typ.	Max.	Unit
Thermal Resistance between Junction and Ambient	θ_{J-A}	The IC is mounted on the glass-epoxy board. See Figure 15-1.	—	—	44	$^\circ\text{C/W}$
Thermal Resistance between Junction and Lead*	θ_{J-L}		—	20	—	$^\circ\text{C/W}$

* The lead temperature is measured at 3 pin (GND).

5. Mechanical Characteristics

Parameter	Conditions	Min.	Typ.	Max.	Unit
Package Weight		—	0.08	—	g

6. Performance Curves

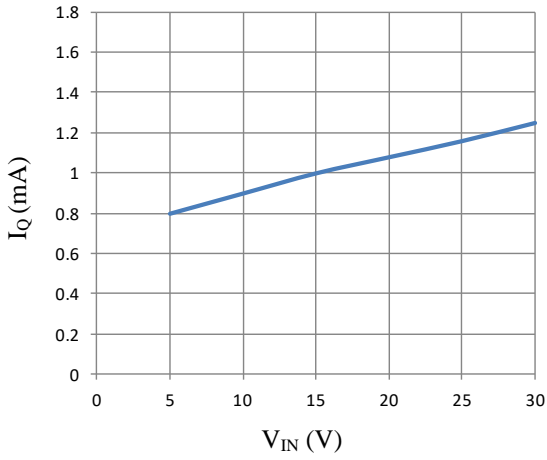


Figure 6-1. Quiescent Current, I_Q vs. Input Voltage, V_{IN}

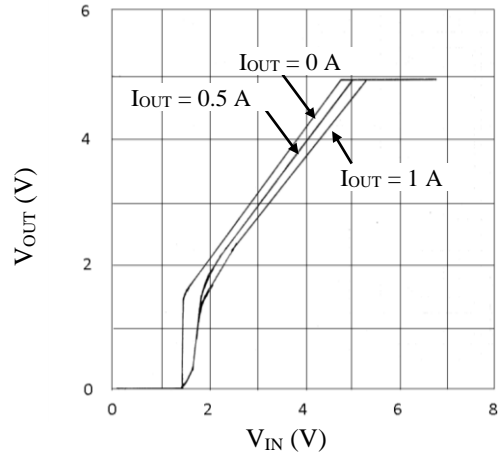


Figure 6-2. Output Voltage, V_{OUT} vs. Input Voltage, V_{IN}

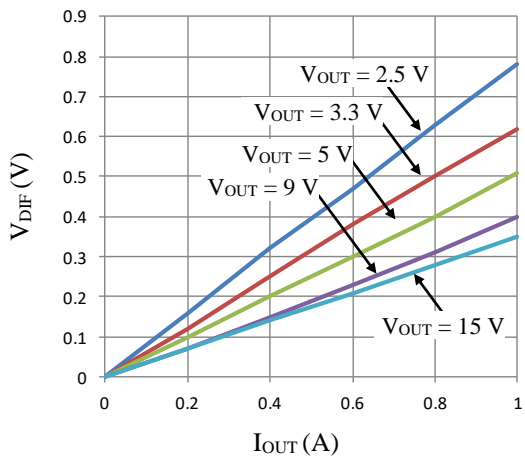


Figure 6-3. Dropout Voltage, V_{DIF} vs. Output Current, I_{OUT}

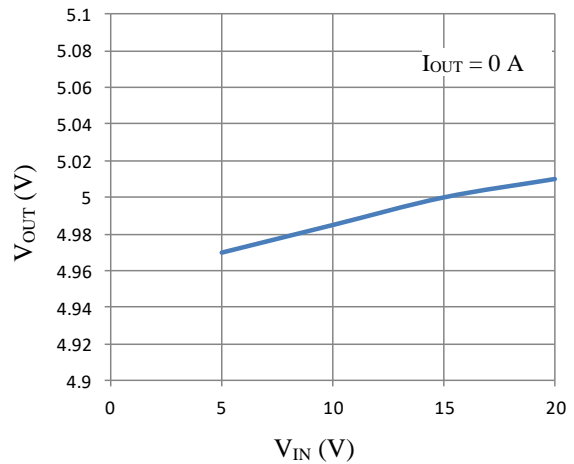


Figure 6-4. Line Regulation

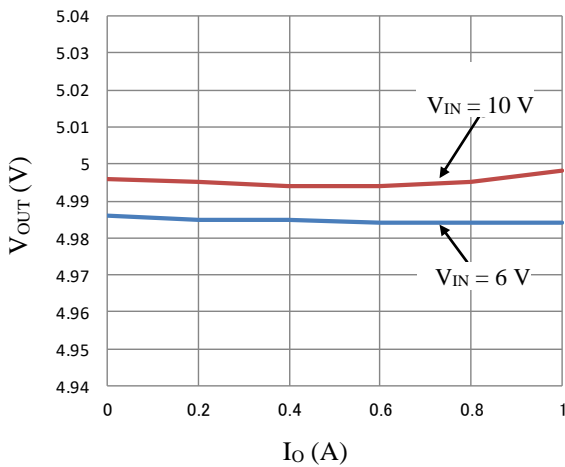


Figure 6-5. Load Regulation

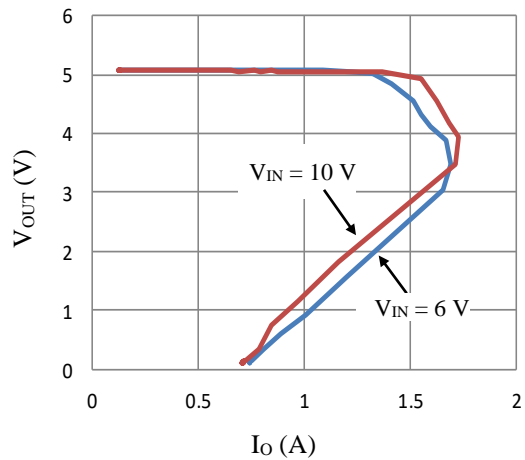


Figure 6-6. Overcurrent Protection Characteristics

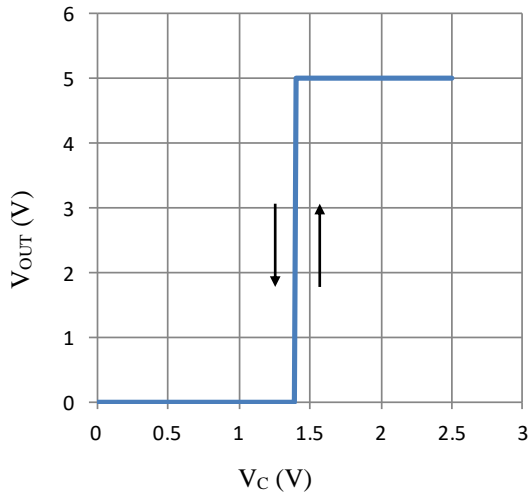


Figure 6-7. VC Pin Output On/Off Characteristics

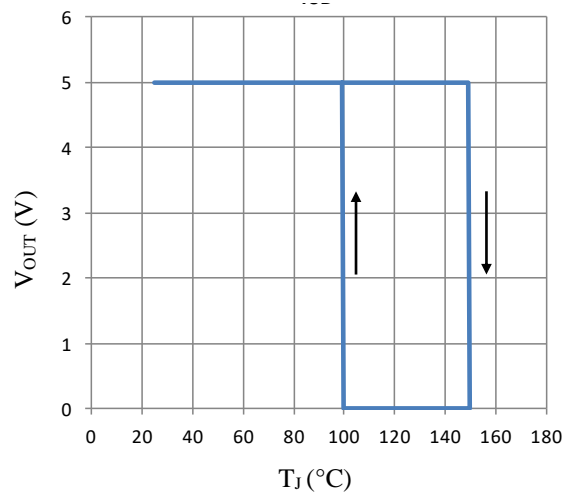


Figure 6-8. Thermal Shutdown Characteristics

7. Derating Curve

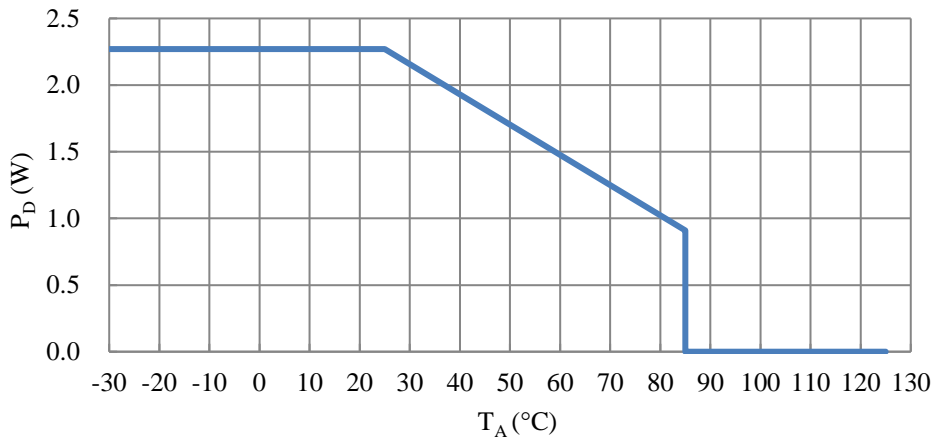
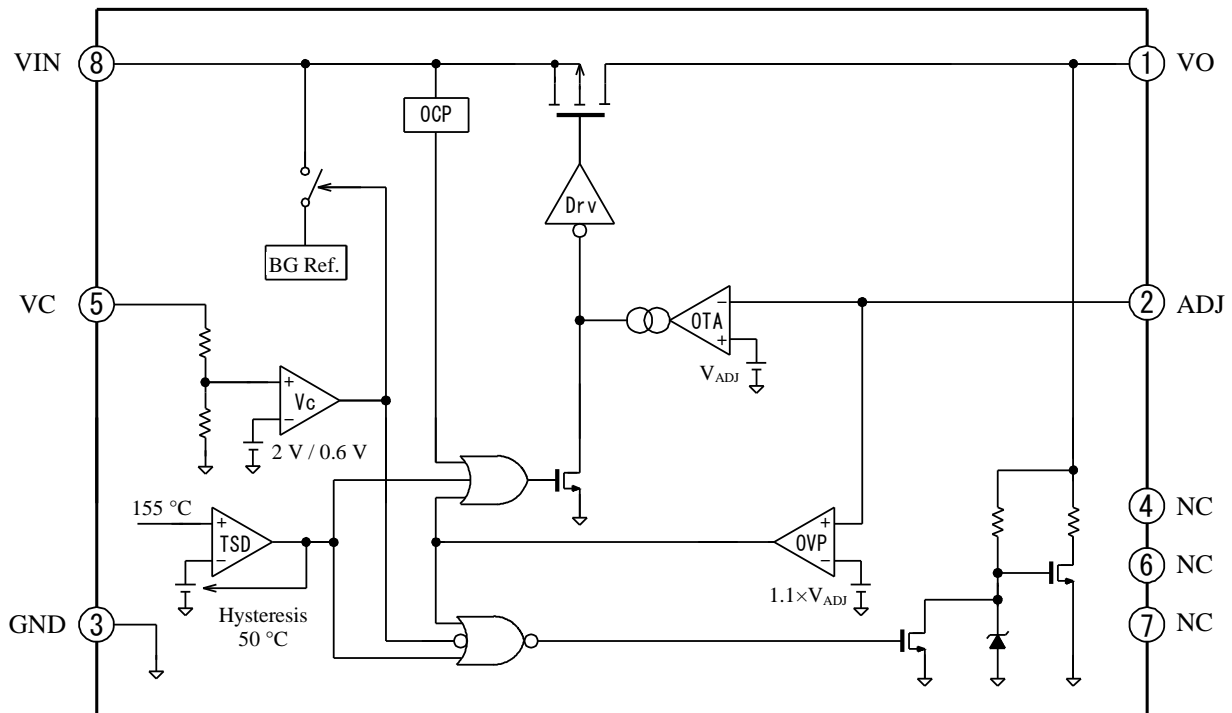
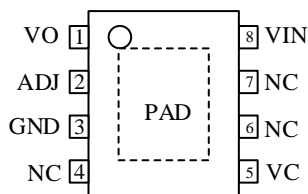


Figure 7-1. Allowable Power Dissipation, P_D vs. Ambient Temperature, T_A

8. Block Diagram



9. Pin Configuration Definitions



Pin Number	Pin Name	Function
1	VO	Voltage output
2	ADJ	Output voltage setting resistor connection
3	GND	Ground
4	NC	(No connection)
5	VC	Output on/off signal input (When the Output On/Off Function is disabled, VC pin must be connected to stable potential.)
6	NC	(No connection)
7	NC	(No connection)
8	VIN	Supply input
(Back Side)	PAD	Exposed pad for heat release (The thermal pad must be soldered to copper trace on PCB, and be connected to the GND pin.)

10. Typical Application

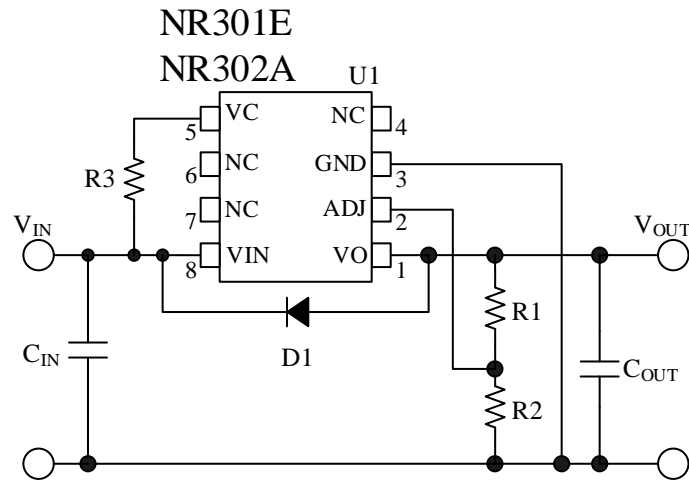


Figure 10-1. Typical Application (Output On/Off Function Disabled)

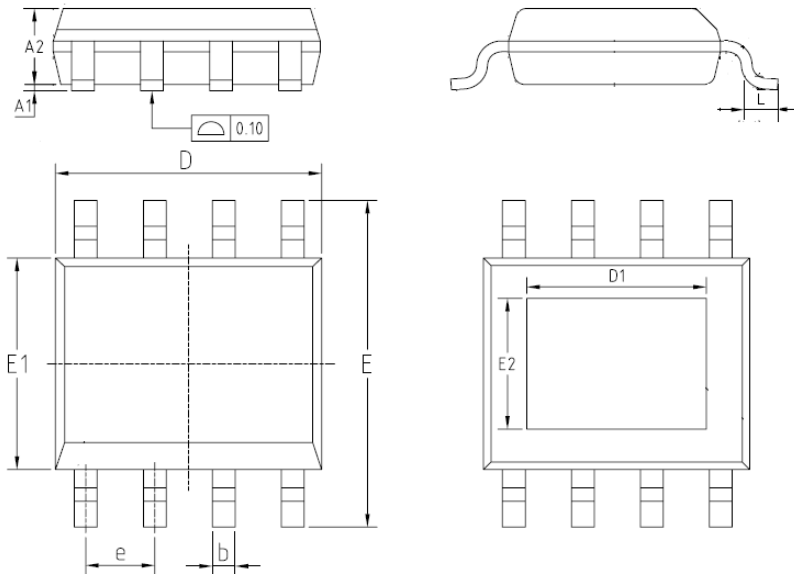
Table 10-1. Reference Value of External Components (When $V_{IN} = 6\text{ V}$ and $V_{OUT} = 5\text{ V}$.)

Symbol	Part Type	Reference Value	Remarks
C_{IN}	Ceramic capacitor	1 μF	Place C_{IN} close to the IC. C_{IN} should be connected to the VIN and GND pins with short traces.
C_{OUT}	Ceramic capacitor	1 μF	Place C_{OUT} close to the IC. C_{OUT} should be connected to the VO and GND pins with short traces.
R1	Resistor	40 k Ω	Adjust resistance based on the output voltage.
R2	Resistor	10 k Ω	For the resistance setting, see Section 13.2.
R3	Resistor	0 Ω	For the resistance setting, see Section 13.5.
D1	Diode	Option	If the condition of $V_{IN} < V_{O}$ is included in the power supply application, it is required to add D1.

NR301E, NR302A

11. Physical Dimensions

• eSOIC8 Package (NR301E)

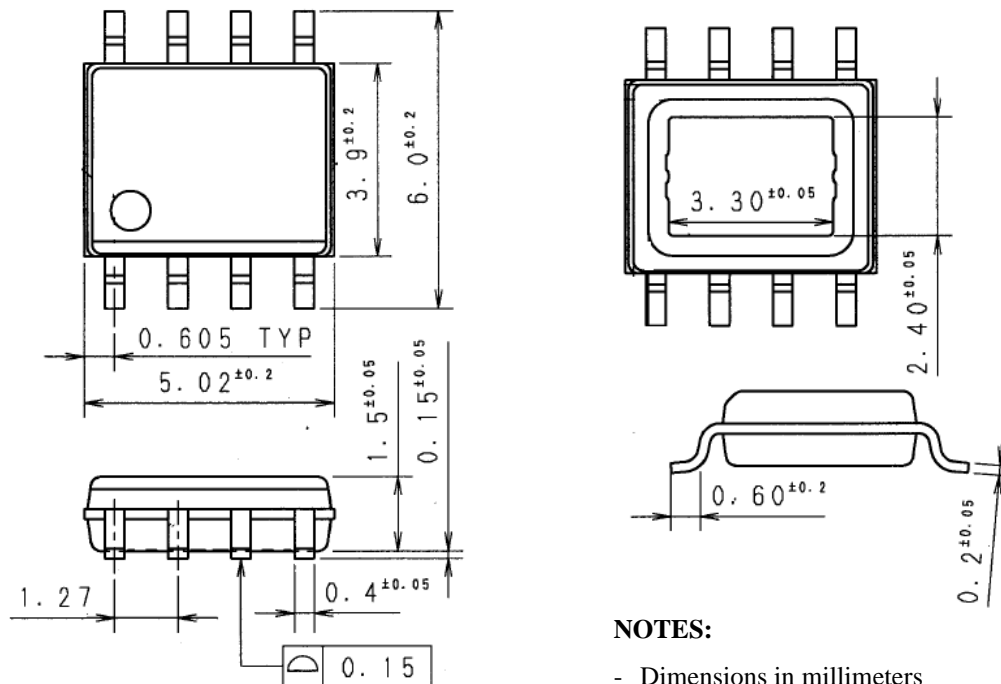


Symbol	Min.	Typ.	Max.
A1	0	0.10	0.15
A2	1.25	1.40	1.65
b	0.38	—	0.51
D	4.80	4.90	5.00
D1	3.10	3.30	3.50
E	5.80	6.00	6.20
E1	3.80	3.90	4.00
E2	2.20	2.40	2.60
e	—	1.27	—
L	0.45	0.60	0.80

NOTES:

- Dimensions in millimeters
- Bare lead frame and pad: Pb-free (RoHS compliant)
- Dimensions do not include mold burrs.

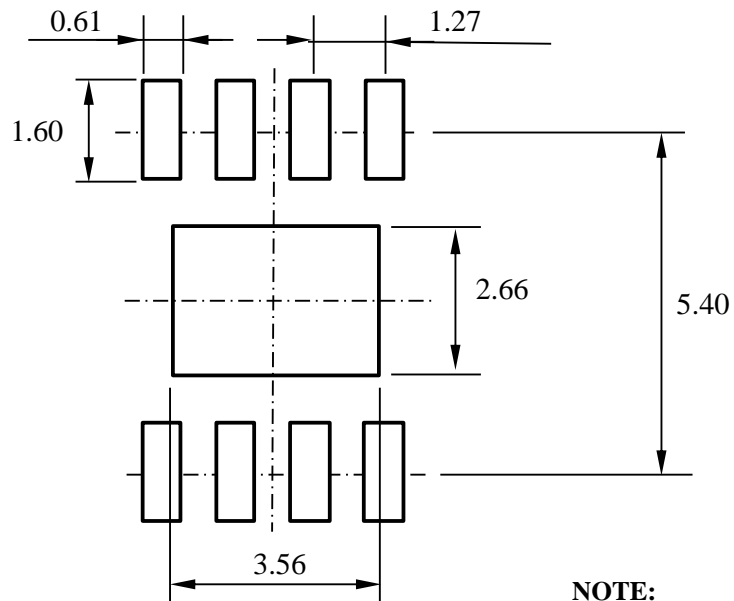
• HSOP8 Package (NR302A)



NOTES:

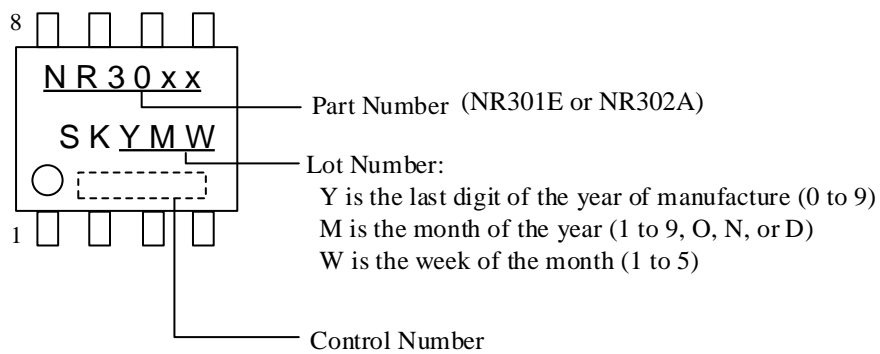
- Dimensions in millimeters
- Bare lead frame and pad: Pb-free (RoHS compliant)

11.1. Land Pattern Example



NOTE:
Dimensions in millimeters

12. Marking Diagram



13. Operational Description

All the characteristic values given in this section are typical values, unless they are specified as minimum or maximum.

13.1. Constant Voltage Control

The IC is with the circuit including the reference voltage, the error amplifier, and P channel power MOSFET. The drain-to-source voltage of the P channel MOSFET is under linear control so that the ADJ pin voltage becomes equal to the reference voltage by the internal error amplifier. As a result, the constant output voltage is provided.

The power loss of the IC is obtained from the product of the drain-to-source voltage (Dropout Voltage) by the output voltage. Note that the thermal design must be taken into account.

13.2. Output Voltage Setting

Output Voltage is adjusted by external resistors, R1 and R2. The setting resistors are connected to the ADJ pin as shown in Figure 13-1.

The feedback signal for the output voltage setting inputs to the ADJ pin. Other signal must not input to the ADJ pin.

The feedback current through R1 and R2 should be set about 100 μA. The reference voltage of the ADJ pin, V_{ADJ}, is 1.00 V. R2 value is calculated by Equation (1).

$$R2 = \frac{V_{ADJ}}{100 \mu A} = \frac{1.00 V}{100 \mu A} = 10 k\Omega \quad (1)$$

Output voltage, V_{OUT}, is calculated by the following equation.

$$V_{OUT} = \frac{R1 + R2}{R2} \times V_{ADJ} \quad (2)$$

Thus, R1 is calculated by using Equation (3).

$$R1 = \frac{R2 \times (V_{OUT} - V_{ADJ})}{V_{ADJ}} = \frac{10 k\Omega \times (V_{OUT} - 1.00 V)}{1.00 V} \quad (3)$$

If the calculation result does not match the E series, adjustment resistors should be added in series or parallel to R1.

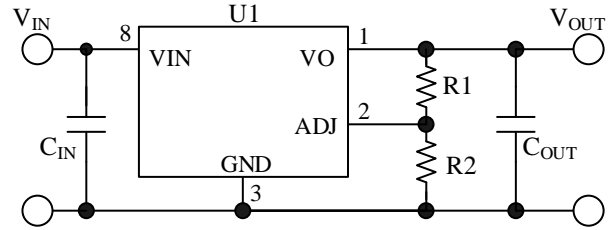


Figure 13-1. ADJ Pin Peripheral Circuit

13.3. Overcurrent Protection (OCP)

The IC has Overcurrent Protection (OCP) with the fold-back characteristic that the output current at the short circuit load (V_{OUT} = 0 V) is smaller than it at OCP activation (see Figure 6-6). The IC loss at the short circuit load (V_{IN} × I_O) is less than constant current or fold-forward characteristic.

When the IC starts at the output capacitor voltage of 0 V, the output current is limited by OCP; and output voltage gradually increases.

13.4. TSD (Thermal Shutdown Protection)

The IC has the Thermal Shutdown (TSD) with hysteresis. When the junction temperature of the IC increase to T_{SD} = 155 °C or more, TSD is activated, and turns off the internal p channel power MOSFET to shutdown the load current.

The temperature hysteresis of TSD is about 50 °C. When the junction temperature decreases to about 100 °C after the load current shutdown, the IC restarts the constant voltage control.

Since the TSD may be activated at the junction temperature of 135 °C that is the minimum characteristics for T_{SD}, it is required to design the heat release so that TSD is not activated in normal operation (junction temperature must be below 125 °C).

The TSD protects the IC against the heat generation when the loss of the IC increases due to the instantaneous short-circuit of the load. This does not guarantee the operation including the reliability in the short-circuit state for long period or the state where the heat generation continues.

13.5. Output On/Off Function

The output is turned on/off by the input signal to the VC pin.

When $V_C \geq V_{C(H)}$, the output is supplied. When $V_C \leq V_{C(L)}$, the output is shutdown. Where, V_C is the VC pin voltage, $V_{C(H)} = 2\text{ V (min.)}$, and $V_{C(L)} = 0.6\text{ V (max.)}$.

The VC pin is pulled down by internal high impedance resistor for the power dissipation reduction. If the VC pin is open, its input status may be unstable; and the malfunction may be caused.

To disable the Output On/Off Function, the VC pin must be connected to the VIN pin.

As shown in Figure 13-2 and Figure 13-3, the on/off signal is generated by a general-purpose logic IC or a transistor, and inputs to the VC pin. When the general-purpose logic IC is used, pull-up resistor, R3, is unnecessary.

In the case of Figure 13-3, the R3 value should satisfy Equation (4) that the maximum sink current of the VC pin is taken into account. The minimum value of R3 should be set taking into account the loss of the transistor.

$$R3 < \frac{V_{IN} - V_{C(H)(\text{min.})}}{I_{C(H)(\text{max.})}} \quad (4)$$

Where V_{IN} is input voltage, $V_{C(H)(\text{min.})}$ is minimum specification of $V_{C(H)} (= 2\text{ V})$, and $I_{C(H)(\text{max.})}$ is minimum specification of $I_{C(H)} (= 40\text{ }\mu\text{A})$.

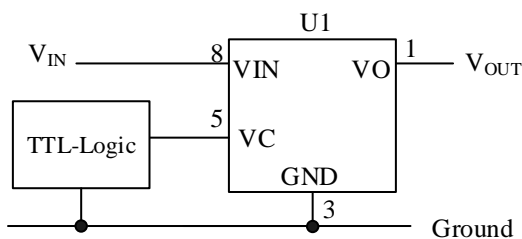


Figure 13-2. Output On/Off Function (In the Case of General-purpose Logic IC)

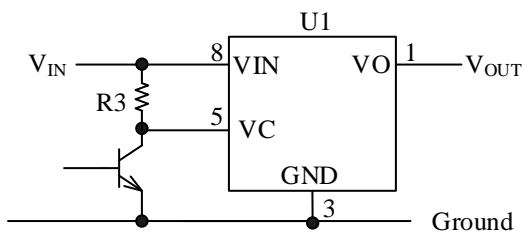


Figure 13-3. Output On/Off Function (In the Case of Transistor)

14. Design Notes

14.1. Input and Output Capacitor

Input capacitor, C_{IN} , and output capacitor, C_{OUT} , must be used low ESR and high DC bias characteristics. Since the capacitance has variation and temperature characteristics, it should be set taking into account enough margins.

If the traces between C_{IN} and the VIN pin, and between C_{OUT} and the VO pin are long, the power supply impedance is high. For stable operation, C_{IN} and C_{OUT} must be placed close to the VIN pin and VO pin respectively, and be connected to each pin with short trace.

- **C_{IN} Setting:**

Use ceramic capacitor of $\geq 1\text{ }\mu\text{F}$ or electrolytic capacitor of about $22\text{ }\mu\text{F}$. Be sure to confirm the actual operation and set the capacitance.

When electrolytic capacitor is used, it is required to connect a ceramic capacitor between the VIN and GND pins. The ceramic capacitor should be connected close to these pins (The power supply including electrolytic capacitor operates stable in normal temperature, but it may operate unstable in low temperature due to the effect of the temperature characteristic of ESR).

- **C_{OUT} Setting:**

Use ceramic capacitor of $\geq 1\text{ }\mu\text{F}$.

The output voltage can be stable with ceramic capacitor whose mounting area is small, because the phase compensation circuit is built in the IC.

14.2. Protection Diode for Reverse Biasing

If the condition of $V_{IN} < V_{VO}$ is included in the power supply application (ex. the dynamic changing in input voltage), a protection diode, D1, must be connected between the VIN pin and the VO pin (see Figure 10-1).

14.3. Considerations in Circuit Configuration

The overcurrent protection of the IC has the fold-back characteristic. To avoid startup failure, do not use the circuit configurations as follows:

- Constant current circuit is connected to the IC.
- CV/CC circuit is connected to the IC.
- Load 2 is stacked on Load 1 (see in Figure 14-1).
- The output voltage setting resistor is connected between the GND pin and Ground (see Figure 14-2).

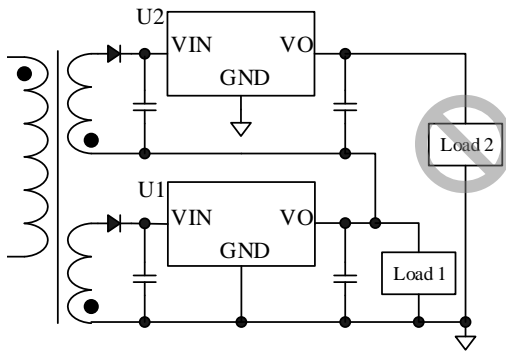


Figure 14-1. Stacked on Loads
(Do not connect Load 2.)

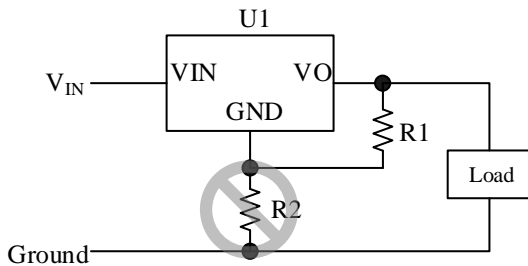
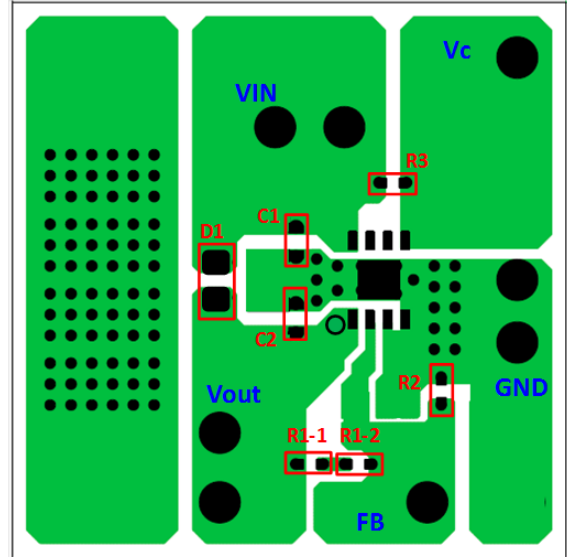


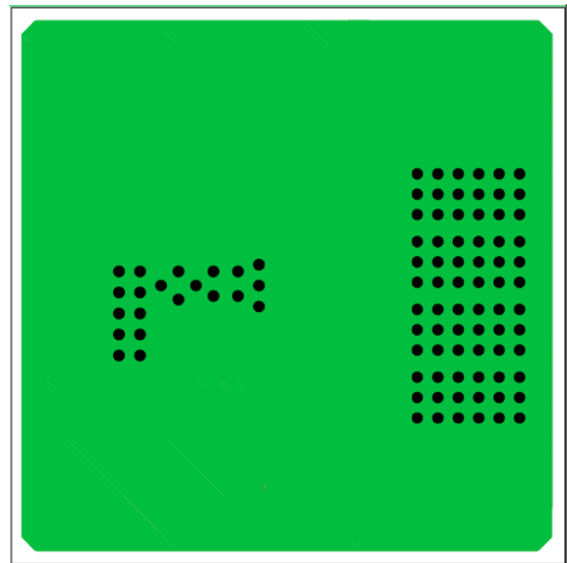
Figure 14-2. Output Voltage Setting
(Do not connect R2.)

15. Pattern Layout Example

The IC has an exposed pad to improve its heat releasing capability. The exposed pad must be soldered to copper trace on PCB.



(Top View)



(Bottom View)

Remarks:

- Double-sided PCBs with through-hole: FR4
- Thickness of the glass-epoxy board: 1.6 mm
- Area: 40 mm × 40 mm
- Copper thickness: 35 μm

Figure 15-1. PCB Pattern Layout Example

Important Notes

- All data, illustrations, graphs, tables and any other information included in this document (the “Information”) as to Sanken’s products listed herein (the “Sanken Products”) are current as of the date this document is issued. The Information is subject to any change without notice due to improvement of the Sanken Products, etc. Please make sure to confirm with a Sanken sales representative that the contents set forth in this document reflect the latest revisions before use.
- The Sanken Products are intended for use as components of general purpose electronic equipment or apparatus (such as home appliances, office equipment, telecommunication equipment, measuring equipment, etc.). Prior to use of the Sanken Products, please put your signature, or affix your name and seal, on the specification documents of the Sanken Products and return them to Sanken. When considering use of the Sanken Products for any applications that require higher reliability (such as transportation equipment and its control systems, traffic signal control systems or equipment, disaster/crime alarm systems, various safety devices, etc.), you must contact a Sanken sales representative to discuss the suitability of such use and put your signature, or affix your name and seal, on the specification documents of the Sanken Products and return them to Sanken, prior to the use of the Sanken Products. The Sanken Products are not intended for use in any applications that require extremely high reliability such as: aerospace equipment; nuclear power control systems; and medical equipment or systems, whose failure or malfunction may result in death or serious injury to people, i.e., medical devices in Class III or a higher class as defined by relevant laws of Japan (collectively, the “Specific Applications”). Sanken assumes no liability or responsibility whatsoever for any and all damages and losses that may be suffered by you, users or any third party, resulting from the use of the Sanken Products in the Specific Applications or in manner not in compliance with the instructions set forth herein.
- In the event of using the Sanken Products by either (i) combining other products or materials or both therewith or (ii) physically, chemically or otherwise processing or treating or both the same, you must duly consider all possible risks that may result from all such uses in advance and proceed therewith at your own responsibility.
- Although Sanken is making efforts to enhance the quality and reliability of its products, it is impossible to completely avoid the occurrence of any failure or defect or both in semiconductor products at a certain rate. You must take, at your own responsibility, preventative measures including using a sufficient safety design and confirming safety of any equipment or systems in/for which the Sanken Products are used, upon due consideration of a failure occurrence rate and derating, etc., in order not to cause any human injury or death, fire accident or social harm which may result from any failure or malfunction of the Sanken Products. Please refer to the relevant specification documents and Sanken’s official website in relation to derating.
- No anti-radioactive ray design has been adopted for the Sanken Products.
- The circuit constant, operation examples, circuit examples, pattern layout examples, design examples, recommended examples, all information and evaluation results based thereon, etc., described in this document are presented for the sole purpose of reference of use of the Sanken Products.
- Sanken assumes no responsibility whatsoever for any and all damages and losses that may be suffered by you, users or any third party, or any possible infringement of any and all property rights including intellectual property rights and any other rights of you, users or any third party, resulting from the Information.
- No information in this document can be transcribed or copied or both without Sanken’s prior written consent.
- Regarding the Information, no license, express, implied or otherwise, is granted hereby under any intellectual property rights and any other rights of Sanken.
- Unless otherwise agreed in writing between Sanken and you, Sanken makes no warranty of any kind, whether express or implied, including, without limitation, any warranty (i) as to the quality or performance of the Sanken Products (such as implied warranty of merchantability, and implied warranty of fitness for a particular purpose or special environment), (ii) that any Sanken Product is delivered free of claims of third parties by way of infringement or the like, (iii) that may arise from course of performance, course of dealing or usage of trade, and (iv) as to the Information (including its accuracy, usefulness, and reliability).
- In the event of using the Sanken Products, you must use the same after carefully examining all applicable environmental laws and regulations that regulate the inclusion or use or both of any particular controlled substances, including, but not limited to, the EU RoHS Directive, so as to be in strict compliance with such applicable laws and regulations.
- You must not use the Sanken Products or the Information for the purpose of any military applications or use, including but not limited to the development of weapons of mass destruction. In the event of exporting the Sanken Products or the Information, or providing them for non-residents, you must comply with all applicable export control laws and regulations in each country including the U.S. Export Administration Regulations (EAR) and the Foreign Exchange and Foreign Trade Act of Japan, and follow the procedures required by such applicable laws and regulations.
- Sanken assumes no responsibility for any troubles, which may occur during the transportation of the Sanken Products including the falling thereof, out of Sanken’s distribution network.
- Although Sanken has prepared this document with its due care to pursue the accuracy thereof, Sanken does not warrant that it is error free and Sanken assumes no liability whatsoever for any and all damages and losses which may be suffered by you resulting from any possible errors or omissions in connection with the Information.
- Please refer to our official website in relation to general instructions and directions for using the Sanken Products, and refer to the relevant specification documents in relation to particular precautions when using the Sanken Products.
- All rights and title in and to any specific trademark or tradename belong to Sanken and such original right holder(s).

DSGN-CEZ-16003