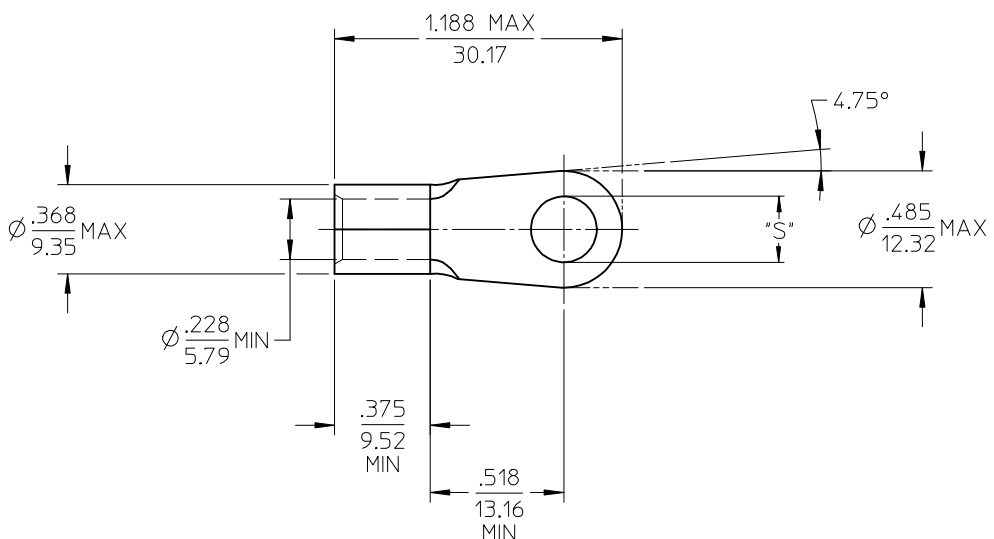
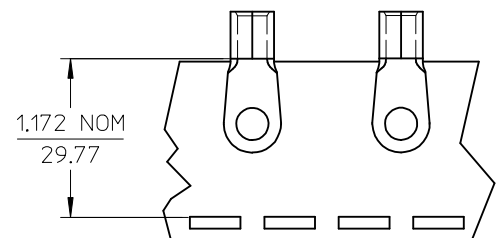


MATERIAL NO. LOOSE PIECE	ENG. NO.	MATERIAL NO. TAPE MOUNTED	ENG. NO.	STUD SIZE	±.003 "S"	STOCK THICKNESS
191930243	E-360-08	191930244	E-360-08T	8	.173	.050/(1.27) (B)
191930245	E-360-10	191930247	E-360-10T	10	.198	
191930248	E-360-14	191930250	E-360-14T	1/4	.265	
191930251	E-360-56	191930253	E-360-56T	5/16	.328	



SALES DRAWING

- NOTE(S):
1. MATERIAL: COPPER
  2. PLATING: ELECTROPLATE TIN
  3. ALL DIMENSIONS IN INCHES/(MM).
  4. WIRE SIZE: 6 AWG  
16 MM<sup>2</sup>
  5. PART IS ROHS COMPLIANT. (B)

REVISED MATL THKNS EC NO: ETC2007-0011 DRAWN:EHILLE 2006/07/12 CHKD:JMACEIL 2006/07/13 APPR:RDEROSS 2006/07/17 B	QUALITY SYMBOLS ▽=0 ▽=0	GENERAL TOLERANCES (UNLESS SPECIFIED)		DIMENSION STYLE IN/MM		SCALE 2:1	DESIGN UNITS INCH	THIRD ANGLE PROJECTION		
			mm	INCH	DRAWN BY	DATE	TITLE RING TONGUE TERMINAL VERSAKRIMP SERIES 6 AWG			
		4 PLACES	± ---	± ---	DLM	03/07/28				
		3 PLACES	± ---	± .005	CHECKED BY	DATE	MOLEX INCORPORATED			
2 PLACES	± 0.13	± .01	HEB	03/07/28						
1 PLACE	± 0.25	± ---	APPROVED BY	DATE	MATERIAL NO. SEE CHART					
ANGULAR		± 1/2°	RWD	03/07/28						
DRAFT WHERE APPLICABLE MUST REMAIN WITHIN DIMENSIONS			MATERIAL NO. SEE CHART		DOCUMENT NO. SD-19193-032		SHEET NO. 1 OF 1			
THIS DRAWING CONTAINS INFORMATION THAT IS PROPRIETARY TO MOLEX INCORPORATED AND SHOULD NOT BE USED WITHOUT WRITTEN PERMISSION										