

# READERS WITHOUT LED

## CZ-0-PIN (2xPIN)

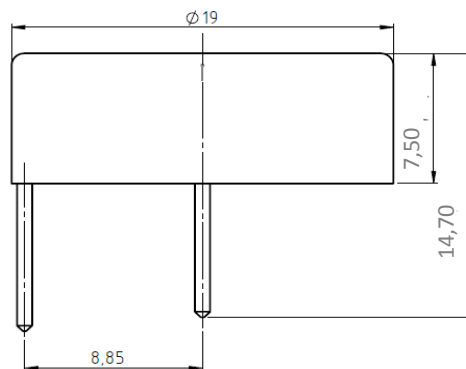
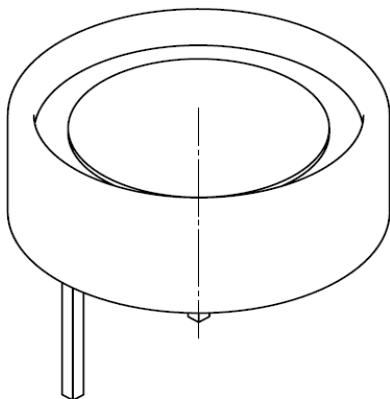


**All metall parts are chromium-plated**

**Also available in stainless steel [SUS316]**

**Two mounting pins**

**Reader tead to install on PCB**



### Technical data for chromium plated version

The reader is designer to work with Maxim Dallas chips series DS19xx

1. Dedications of Pins version 2/4	Middle Pins- 1 wire signal Outer Pins - GND
2. Application	Acces control device
3. Ring material	Chromium plated steel
4. Fastening method	Directly onto PCB
5. Work enviroment	Residential, commercial and lightly industrial
6. Working temperature	From -40 °C to +85 °C
7. Humidity	Up to 70%

**DEMIURG W.WOJTASIK, R.WROŃSKA WOJTASIK, T.WOJTASIK s.c.**

ul. Pustynna 66

93-479 Łódź

tel./fax: 042 636 70 70