

1 2 3 4 5 6 7 8

A

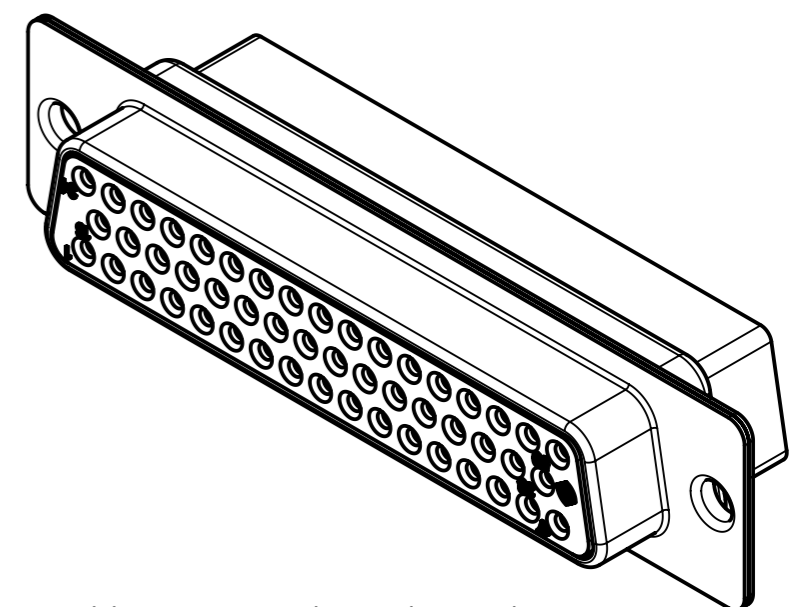
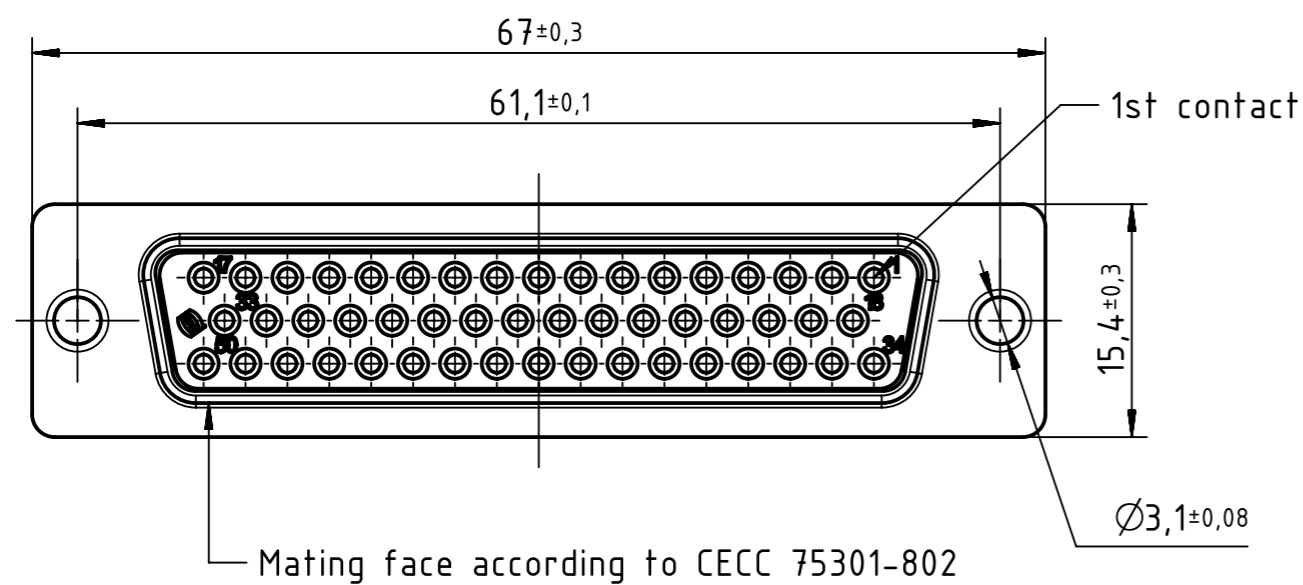
B

C

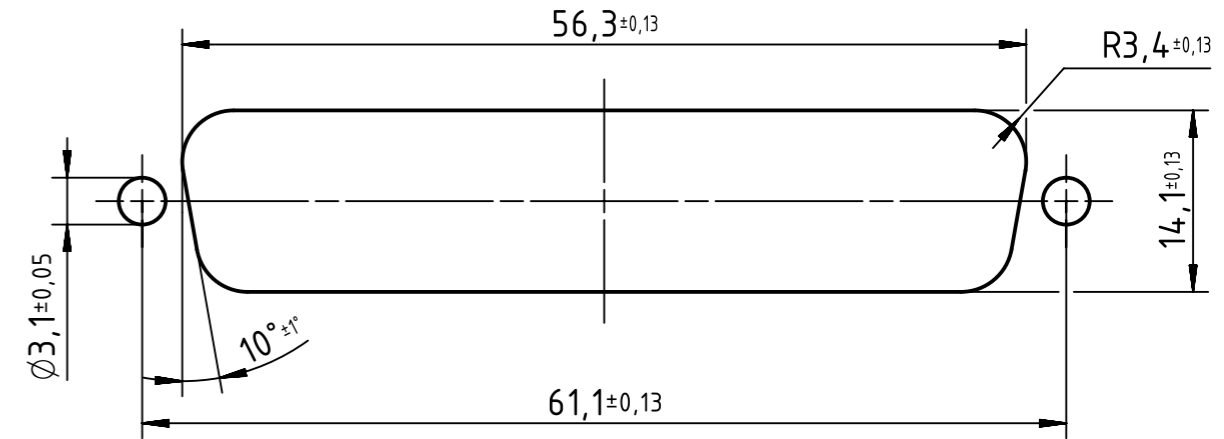
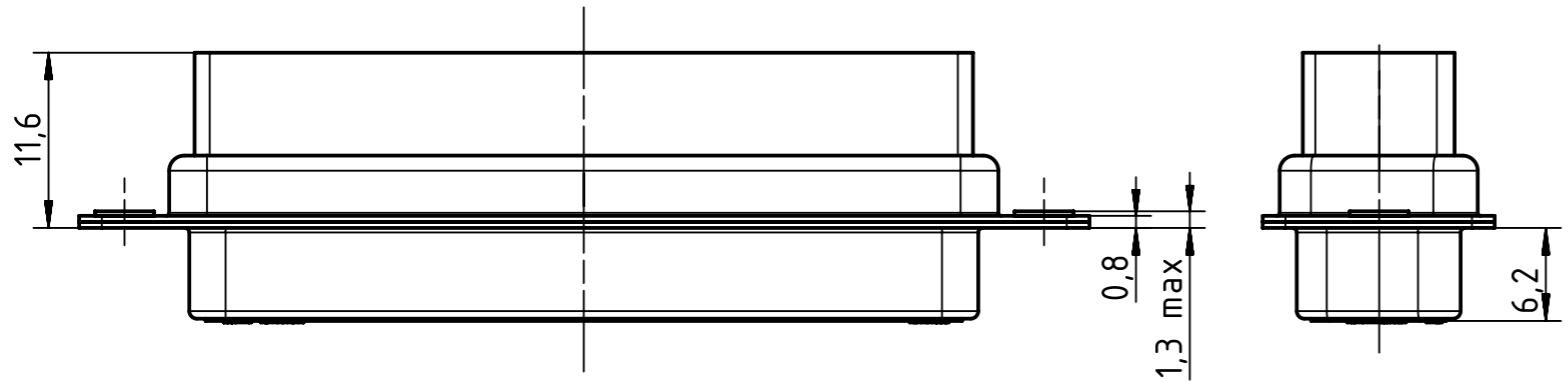
D

E

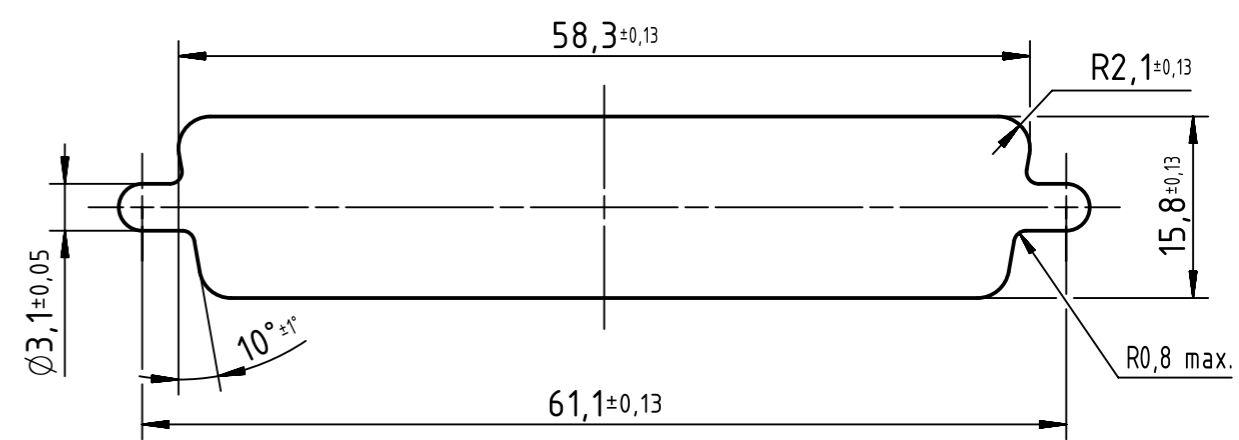
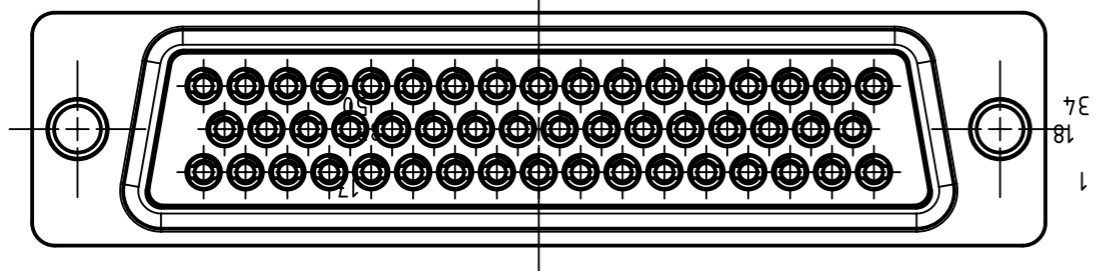
F



Rear mounting panel cut out



Front mounting panel cut out



	All rights reserved		Created by ZHUANGJ		Inspected by LUOK		Standardisation HOFFMANN		Date 2017-04-06		State Final Release	
	Department EC PD - CN		Title D-Sub crimp 50-pole female assembly		Doc-Key / ECM-Nr. 100235545/UGD/002/B 500000117639		Type TB		Number 09670504701		Rev. B	
HARTING Electronics GmbH		D-32339 Espelkamp								Page 1/1		

A

B

C

D

E

F

1 2 3 4 5 6 7 8

A3