

Data sheet

Modul 19 inch module frame 1RU 24 port black unequipped, shielded

Page 1/6

P/N

130920-BK-E

EAN 4250184126478

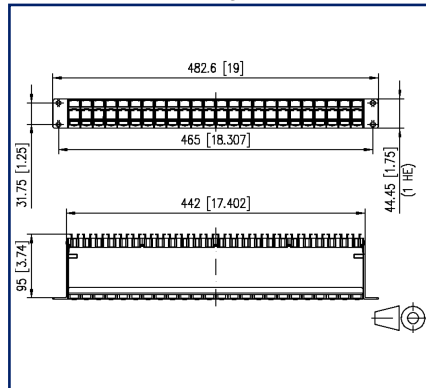
2022/07/14

Version: O

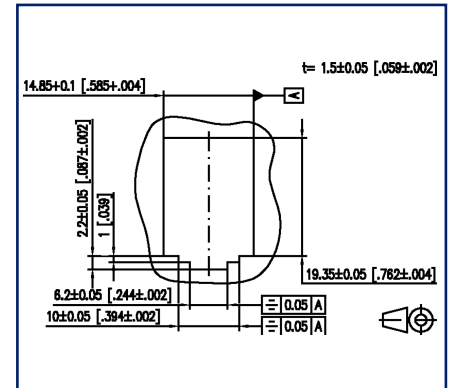
Illustrations



Dimensional drawing



Drill pattern



See enlarged drawings at the end of document

Product specification

- 19 inch 1RU module frame for 24 individual modules, Modul design
- module frame front made of black anodized aluminum
- plastic module support with dust protection covers (other colors available as accessories), detachable to the front
- integrated cable support with optional strain relief
- label window for identification labels
- label sheet 210 x 297 mm see accessories
- grounding bolt M6 x 10 with nut and lock washer
- incl. 30 cm grounding cable
- all fully shielded modules connected by means of grounding rail



P | Cabling

Data sheet

Page 2/6

Modul 19 inch module frame 1RU 24 port black unequipped, shielded

P/N

130920-BK-E

EAN 4250184126478

2022/07/14

Version: O

Technical Data

General Data

Fields of application	office areas
Mechanical measurement according to MICE	M1
Ingress measurement according to MICE	I1
Climatic measurement according to MICE	C1
Electromagnetic measurement according to MICE	E3
Design	patch panel
Shielding	shielded
Color	black
Dimensions	
Dimension (L x W x H)	95 mm x 482.6 mm x 44.45 mm
Dimension (L x W x H)	3.74 in. x 19 in. x 1.75 in.
Inches	19 inches
Height unit	1RU
Modularity	yes
Labeling option	label window with identification label + printed numbers

Connections/interfaces

Number of ports interface 1	24
Number of equipped ports interface 1	0
Number of ports interface 2	24
Number of ports interface 2 equipped	0
Grounding wire length	0.3 m
Grounding wire length	0.98 ft
Ground connection	grounding bolt M6x10 with nut and lock washer

Mechanical data

Cut-out	module
strain relief	yes

Materials and material properties

Material - Subrack	Al (Aluminium)
Material - Subrack finish	black anodized
Material - Module support	ABS
Material - Cable guide	ABS

P | Cabling

Data sheet

Page 3/6

Modul 19 inch module frame 1RU 24 port black unequipped, shielded

P/N

130920-BK-E

EAN 4250184126478

2022/07/14

Version: O

Technical Data

Materials and material properties

Material - Dust protection	ABS
Material - Label window	ABS, transparent
Halogen free	yes
Silicone free	no paint wetting interfering substances (LaBS) in the process chain
LaBS Note	subsequent contamination possible due to handling and possible storage in your company
RoHS	compliant
REACH	compliant

Environmental conditions

Temperature (min. - max.)	
Temperature - Storage °C	-40 °C - 70 °C
Temperature - Storage °F	-40 °F - 158 °F
Temperature - Operating °C	-40 °C - 70 °C
Temperature - Operating °F	-40 °F - 158 °F

Approvals

UL listed (file no.)	DUXR.E178484
----------------------	--------------

Classifications

ETIM 5.0	EC001128
ETIM 6.0	EC001128
ETIM 7.0	EC002006
ETIM 8.0	EC002006

Packing details

Type of packaging	1 pc(s) / box
Packaging unit - Weight (gram)	595 g
Packaging unit - Weight (pound)	1.31 lb
Packaging dimension	520 mm x 180 mm x 46 mm
Packaging dimension	20.472 in. x 7.087 in. x 1.811 in.

P | Cabling

Data sheet

Page 4/6

Modul 19 inch module frame 1RU 24 port black unequipped, shielded

P/N

130920-BK-E

EAN 4250184126478

2022/07/14

Version: O

Accessories

P/N	Designation
130792	Mounting kit, cage nuts M6
130898-00-I	BLIND module light gray
130898-00-RW-I	BLIND module pure white
130898-01-I	COAX modul F jack / F jack
130898-02-I	COAX modul IEC jack / F jack
130898-03-I	COAX modul IEC plug / F jack
130908-I-B1	UAE modul Cat.5e white
130909-I	UAE modul Cat.6 jack T568A white
130910-I	E-DAT modul Cat.6 _A 8(8) jack, T568A
130910-I-B1	E-DAT modul Cat.6 _A 8(8) jack, T568B
130910-Z	E-DAT modul Cat.6 _A 8(8) jack, T568A (12 pcs)
1309A0-I	E-DAT modul coupler 8(8) 180° class E _A
130A11-29-I	UAE modul 8(8) Cat.6 _A black
130A11-I	UAE modul 8(8) Cat.6 _A white
130B11-25-E	25Gmodul
130B11-25-Z	25Gmodul (12 pcs)
130B11-E	C6 _A modul 180° jack
130B11-Z	C6 _A modul 180° jack (12 pcs)
15091001-I	OpDAT modul ST (ceramic, light gray) SM
15091071-I	OpDAT modul LC-D (ceramic, blue) SM
15091072-I	OpDAT modul LC-D (ceramic, aqua) MM
15091075-I	OpDAT modul LC-D (ceramic, violet) MM
15091076-I	OpDAT modul LC-D APC (ceramic, green) SM
1509107B-I	OpDAT modul LC-D (ceramic, beige) MM
816979-0103-I	Dust protection covers for Modul patch panels subway / REG gray
816979-0105-I	Dust protection covers for Modul patch panels subway / REG yellow
816979-0106-I	Dust protection covers for Modul patch panels subway / REG blue
816979-0107-I	Dust protection covers for Modul patch panels subway / REG green
816979-0108-I	Dust protection covers for Modul patch panels subway / REG red
899011-01	Label sheet for Modul patch panels / REG

P | Cabling

Data sheet

Page 5/6

Modul 19 inch module frame 1RU 24 port black unequipped, shielded

P/N

130920-BK-E

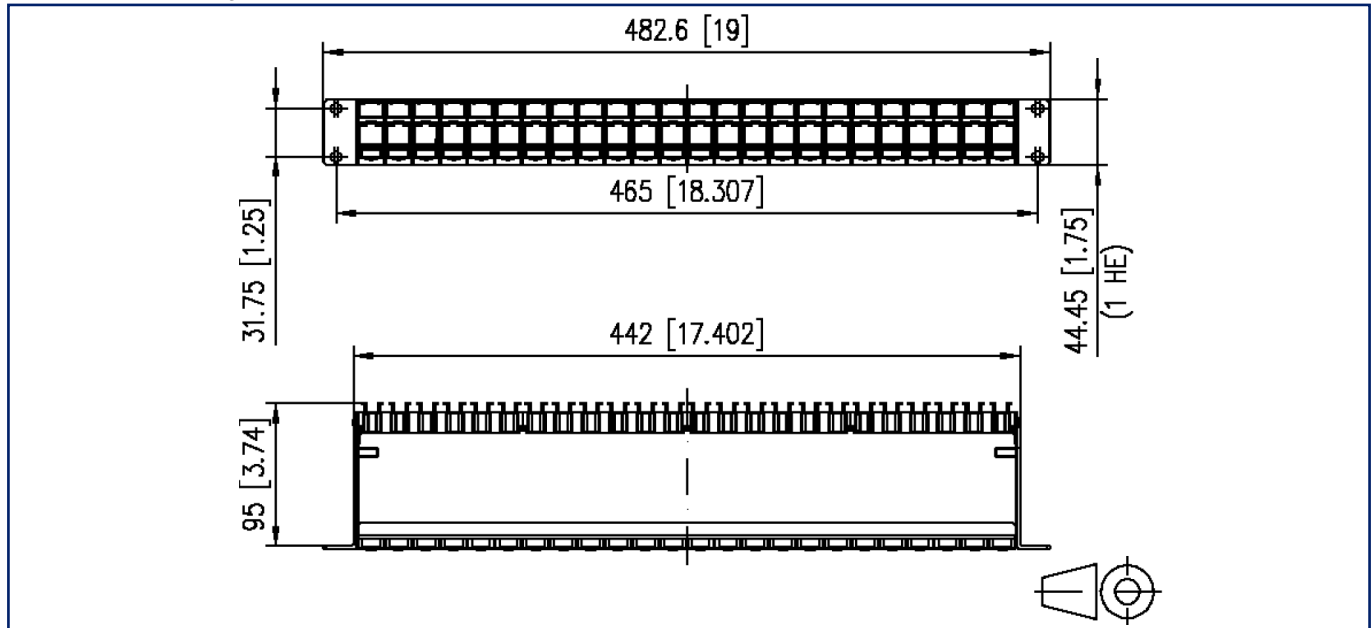
EAN 4250184126478

2022/07/14

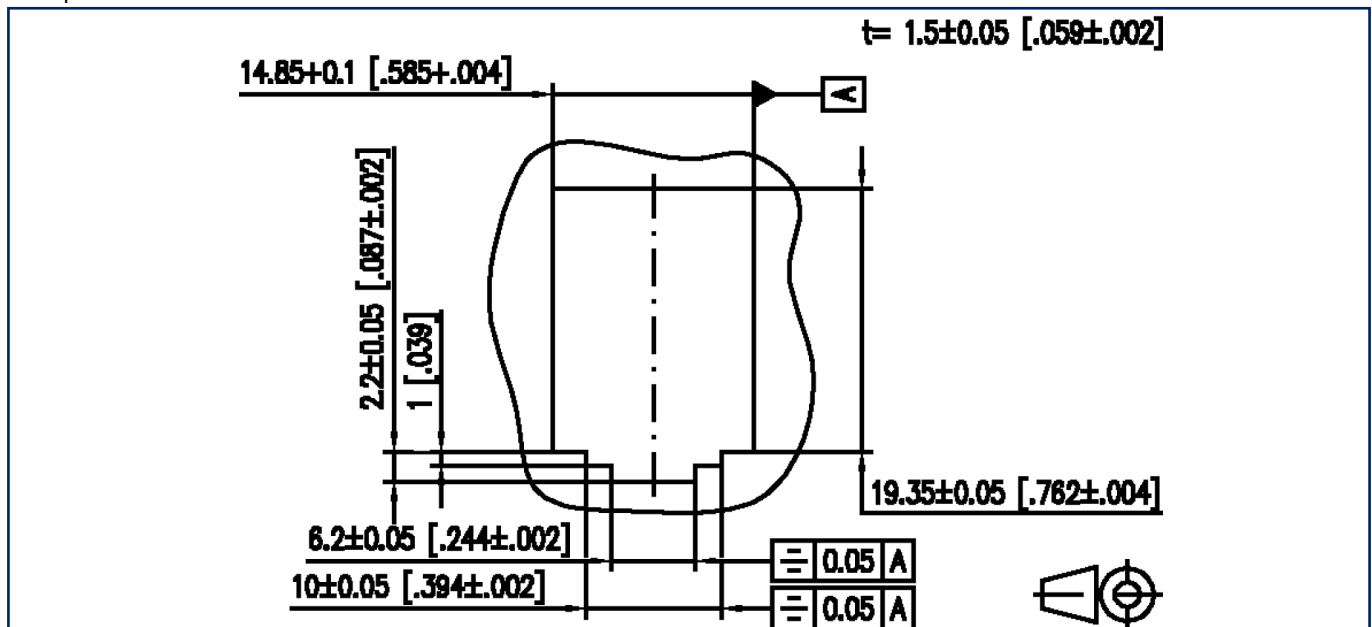
Version: 0

Illustrations

Dimensional drawing



Drill pattern



P | Cabling

Data sheet

Page 6/6

Modul 19 inch module frame 1RU 24 port black unequipped, shielded

P/N

130920-BK-E

EAN 4250184126478

2022/07/14

Version: O

Illustrations

Cut-out

