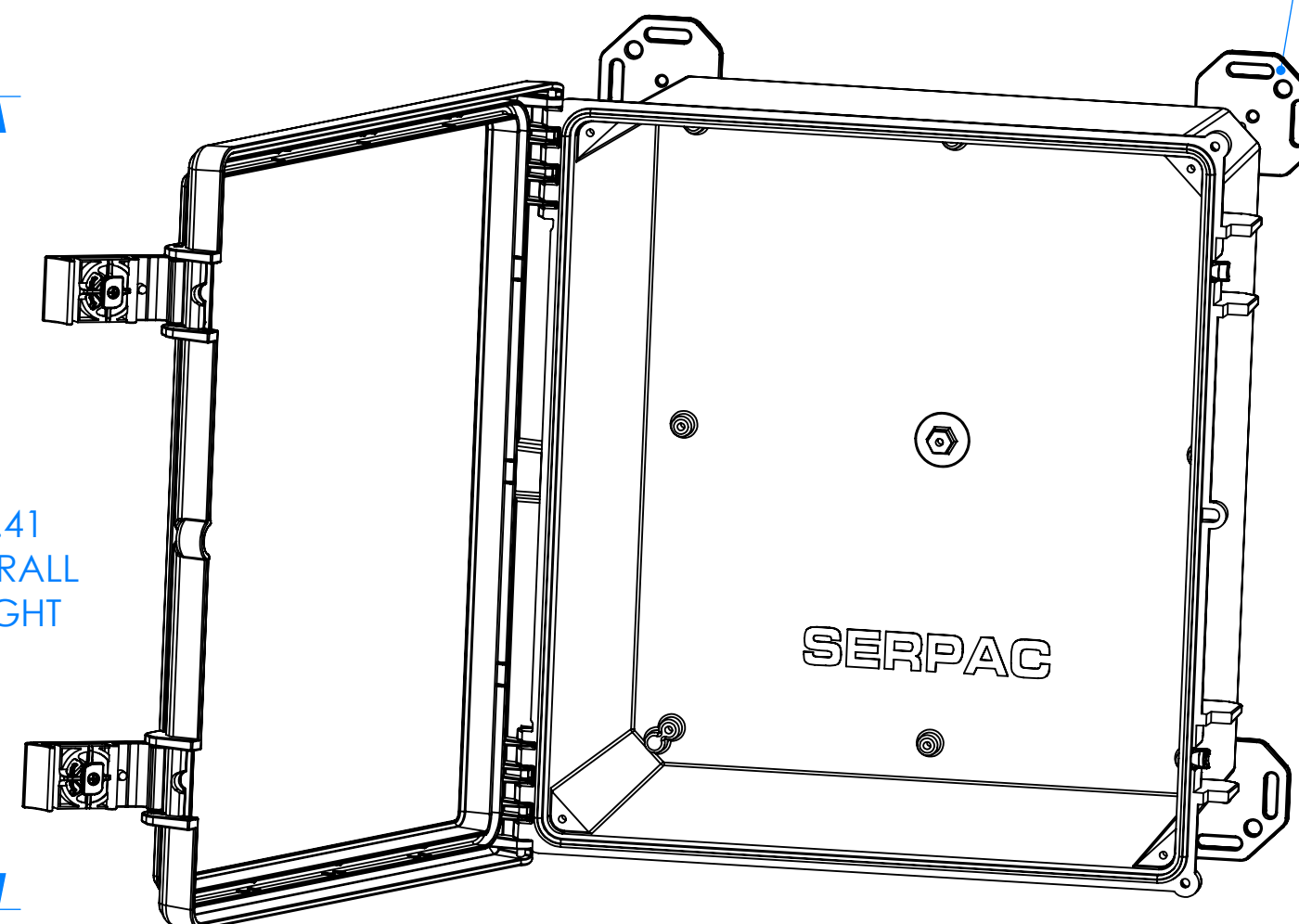
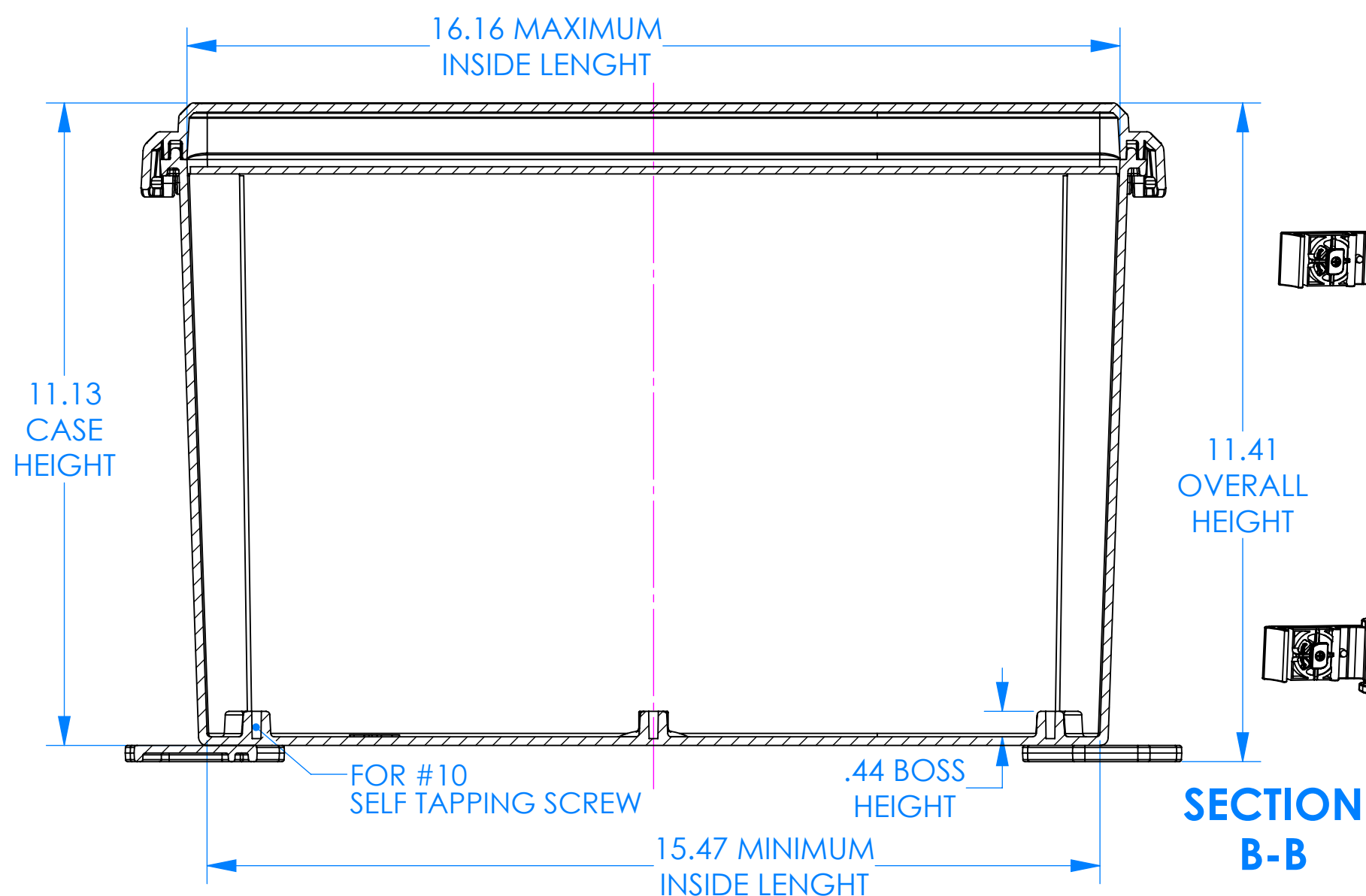
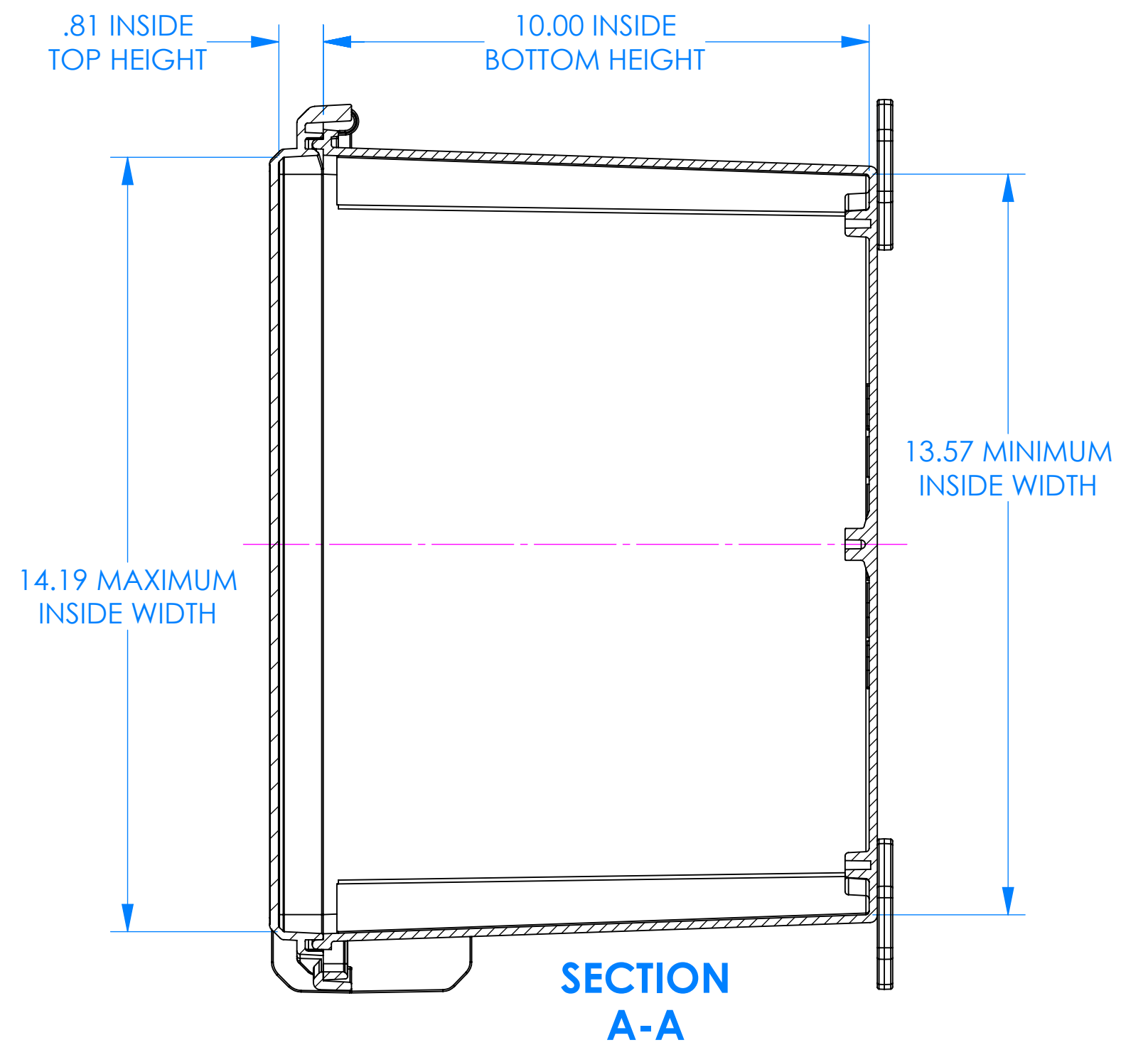
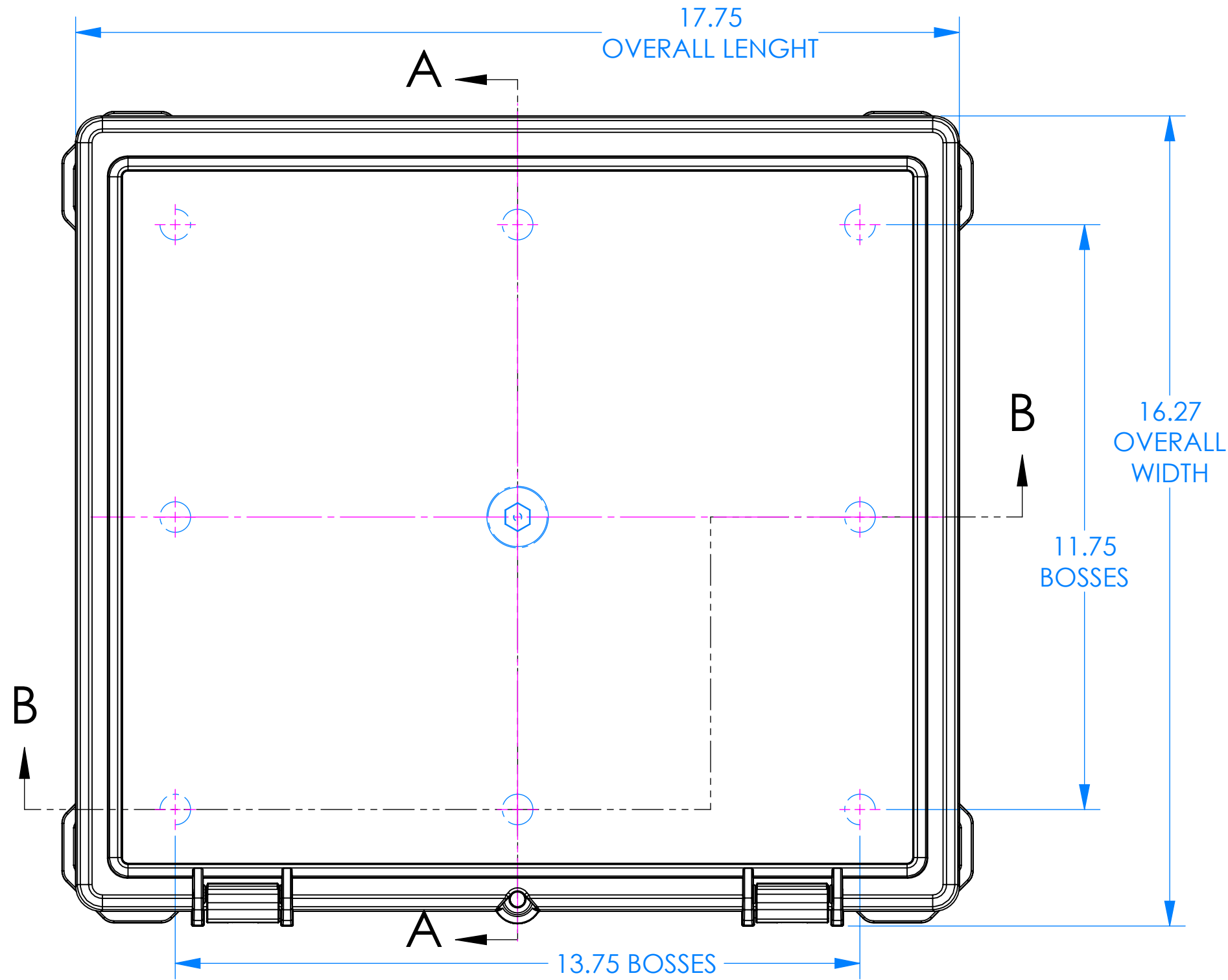


# SERPAC I652HL

Electronic Enclosures



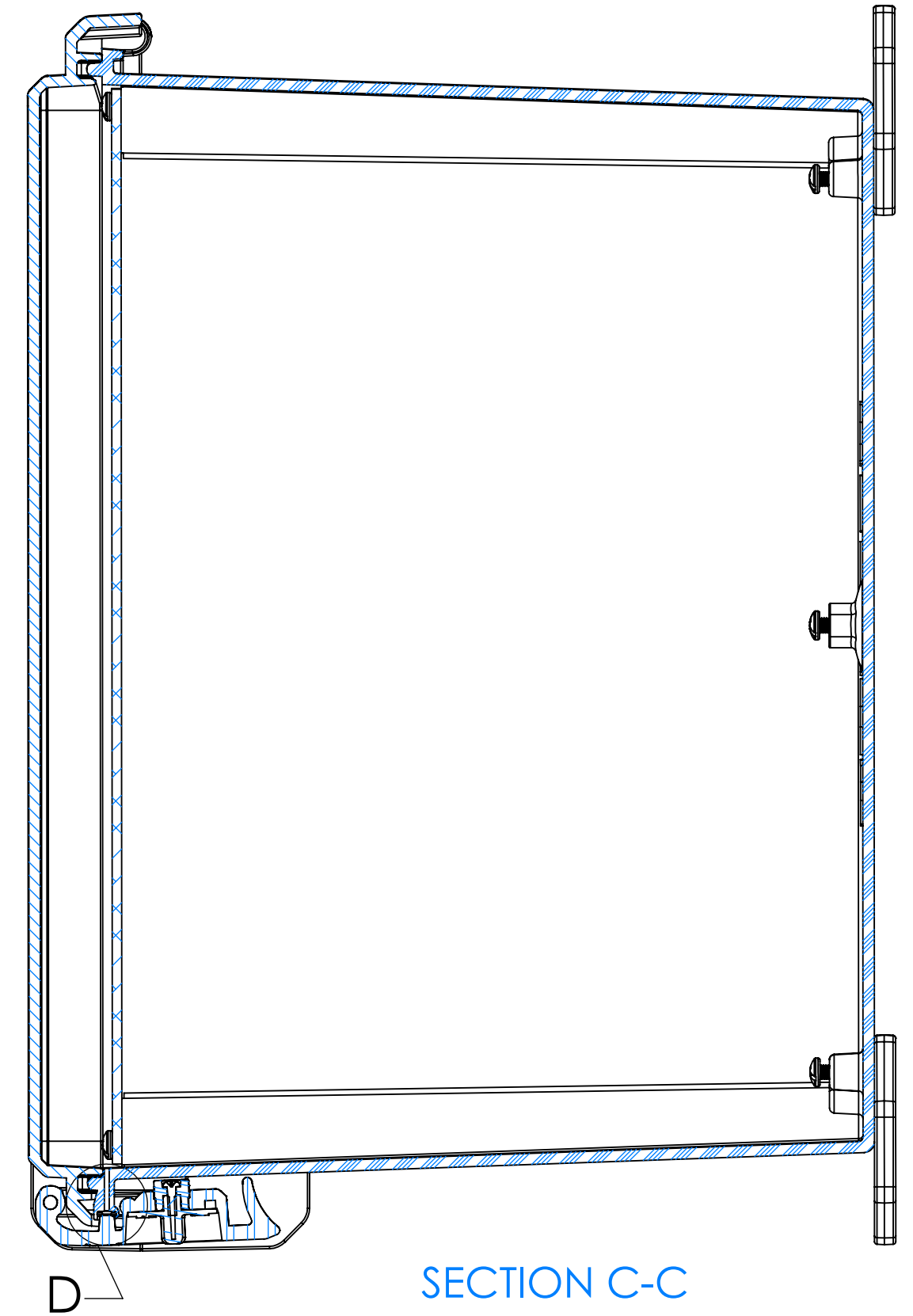
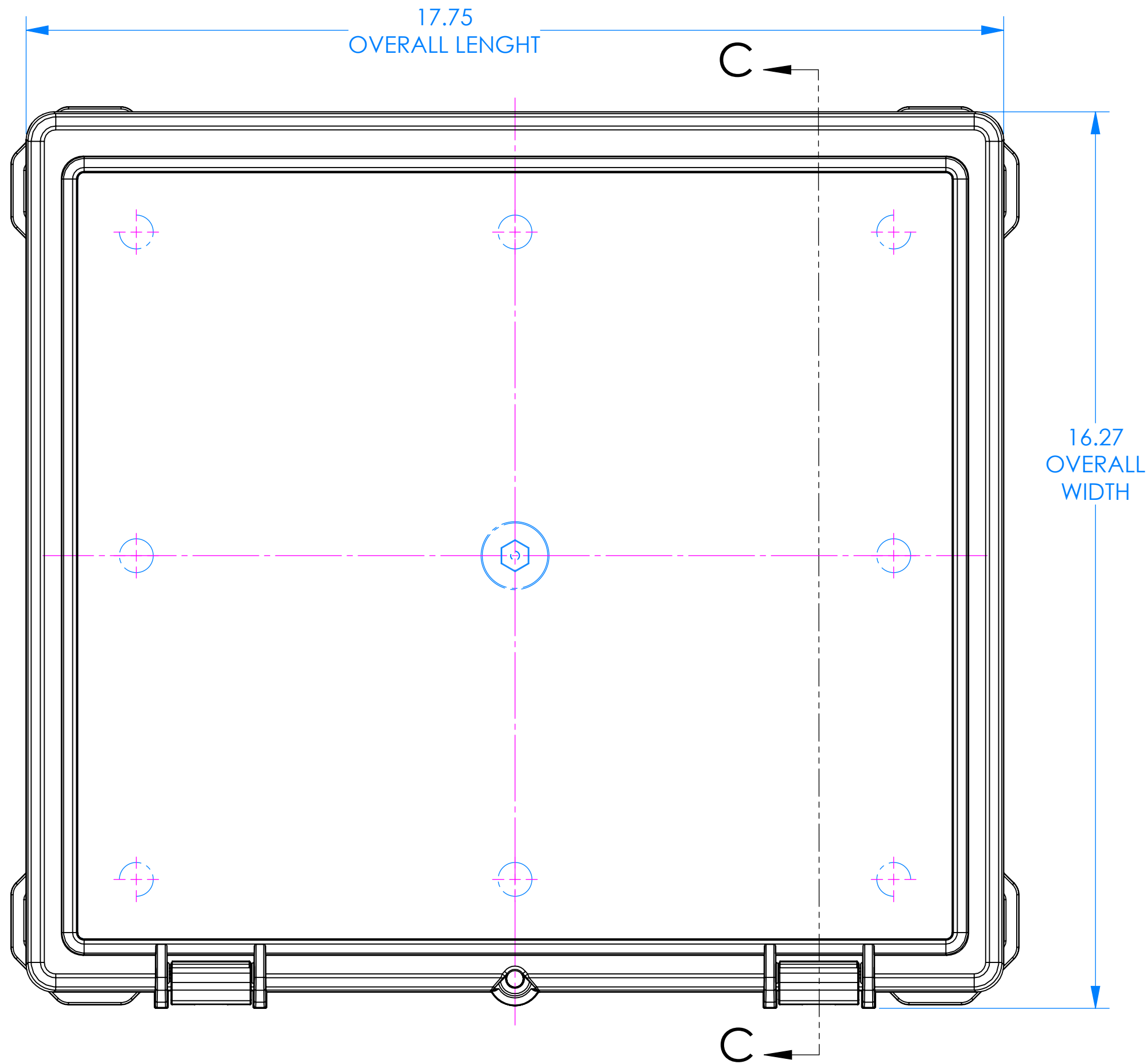
4 Mounting Brackets included. See Sheet 2 for dimensions.

Aluminum Panel Kits are available as options, see sheets 3-5. The aluminum panel options are:  
 Bottom Panel Kit p/n 73000B  
 Top Panel Kit p/n 73040T  
 Hinged Top Panel Kit p/n 73020TH

Enclosure venting / pressure equalizing option is available. (See next page)

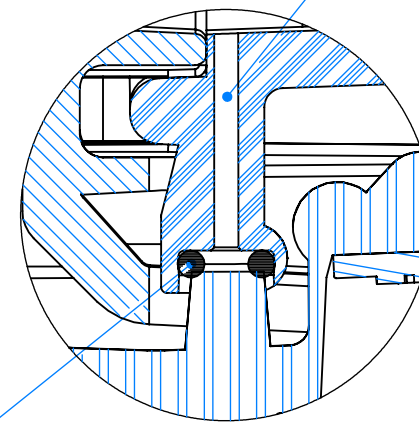
- UL listed to UL 508A 4/4X standard (UL file E519183).
- Material: UV stabilized Polycarbonate Flammability V0, F1 rated material.
- Watertight enclosure meets or exceeds Nema 4 and or IP67.

PARTS INCLUDED		
P/N	Qty.	Description
I652HLT	1	I652 Hinge Latch Top
I650HLB	1	I650 Hinge Latch Bottom
8650	1	650 Perimeter O-ring
7011PCM	2	Safety Latch for I-Series
1355	4	Corner Mounting Bracket
6028	9	SS #10 X 5/8" Pan H/L Screw



DETAIL D

O-RING  
pn. 8000

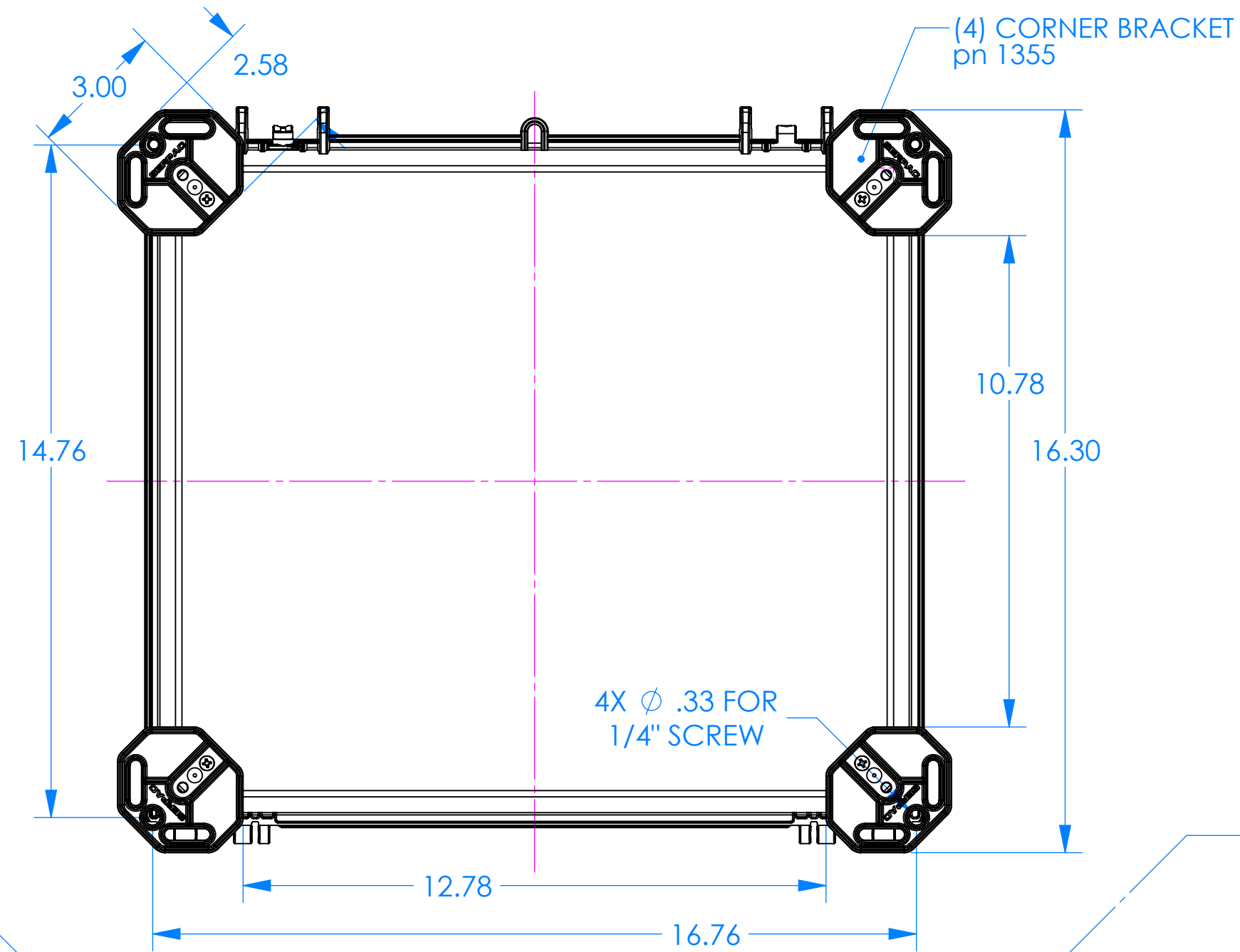


DRILLED HOLE  
1/16" DIA

For Venting option  
drill 1/16"  $\phi$  hole as shown  
and use pn 8000 for sealing.

# SERPAC I652HL Mounting Bracket Dimensions

Electronic Enclosures



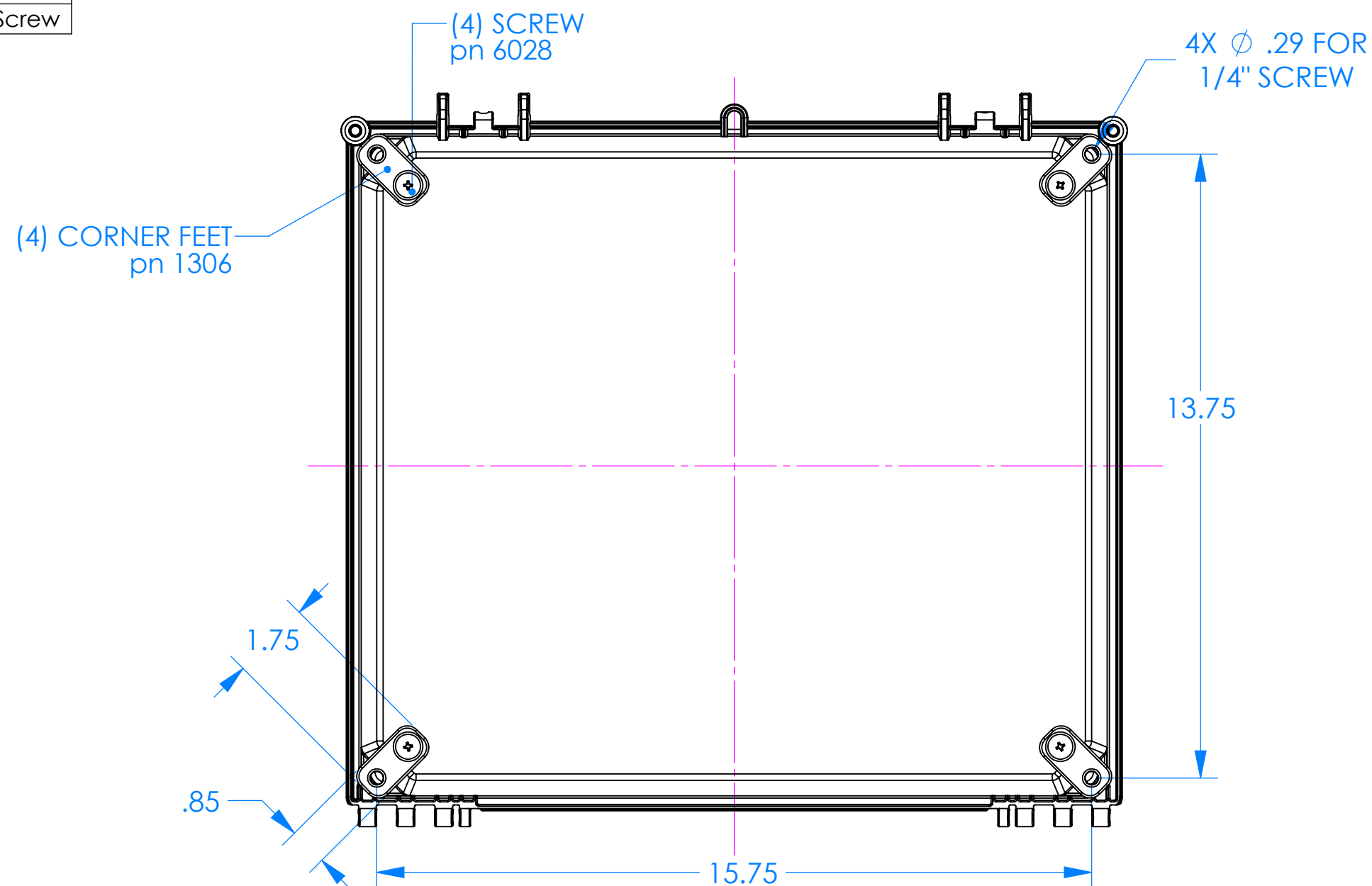
INCLUDED (4)  
1355 CORNER BRACKETS KIT

Parts Included in kit number 1355		
P/N	Qty.	Description
1355	4	Mounting Corner Bracket
6028	4	SS #10 X 5/8" Pan Combo H/L Screw

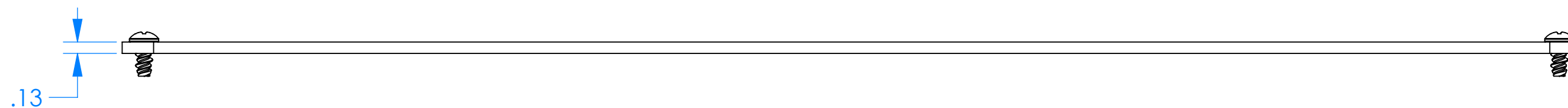
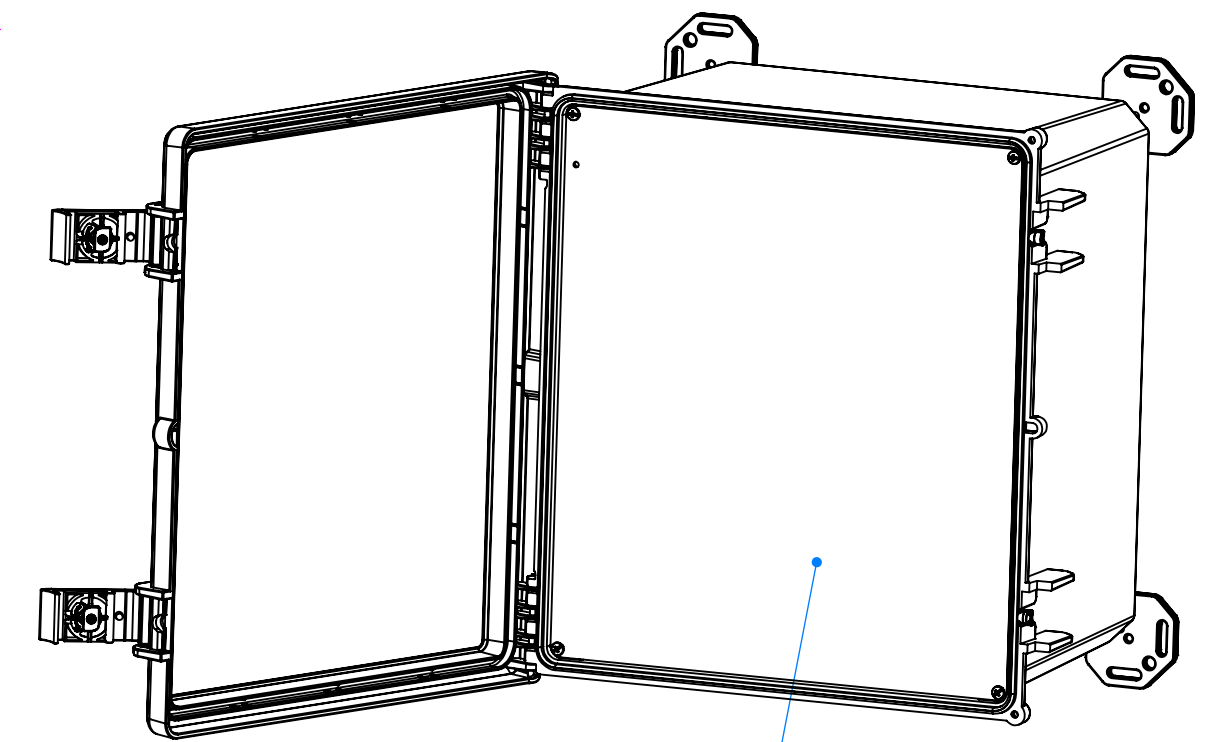
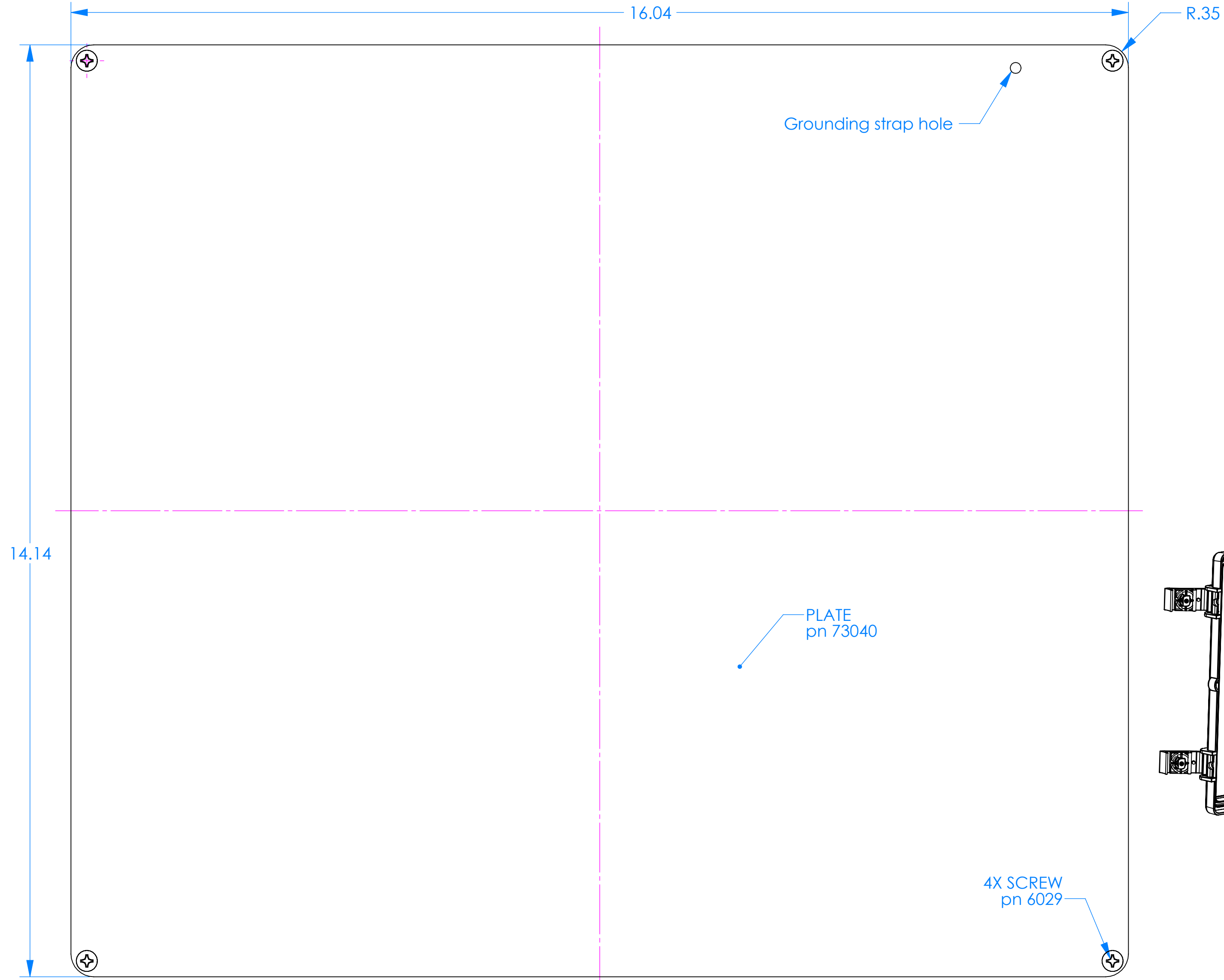
TOP & LATCHES REMOVED  
FOR CLARITY FROM ALL VIEWS

OPTIONAL 1306 CORNER FEET KIT

Parts Included in kit number 1306		
P/N	Qty.	Description
1306	4	Mounting Corner Feet
6028	4	SS #10 X 5/8" Pan Combo H/L Screw



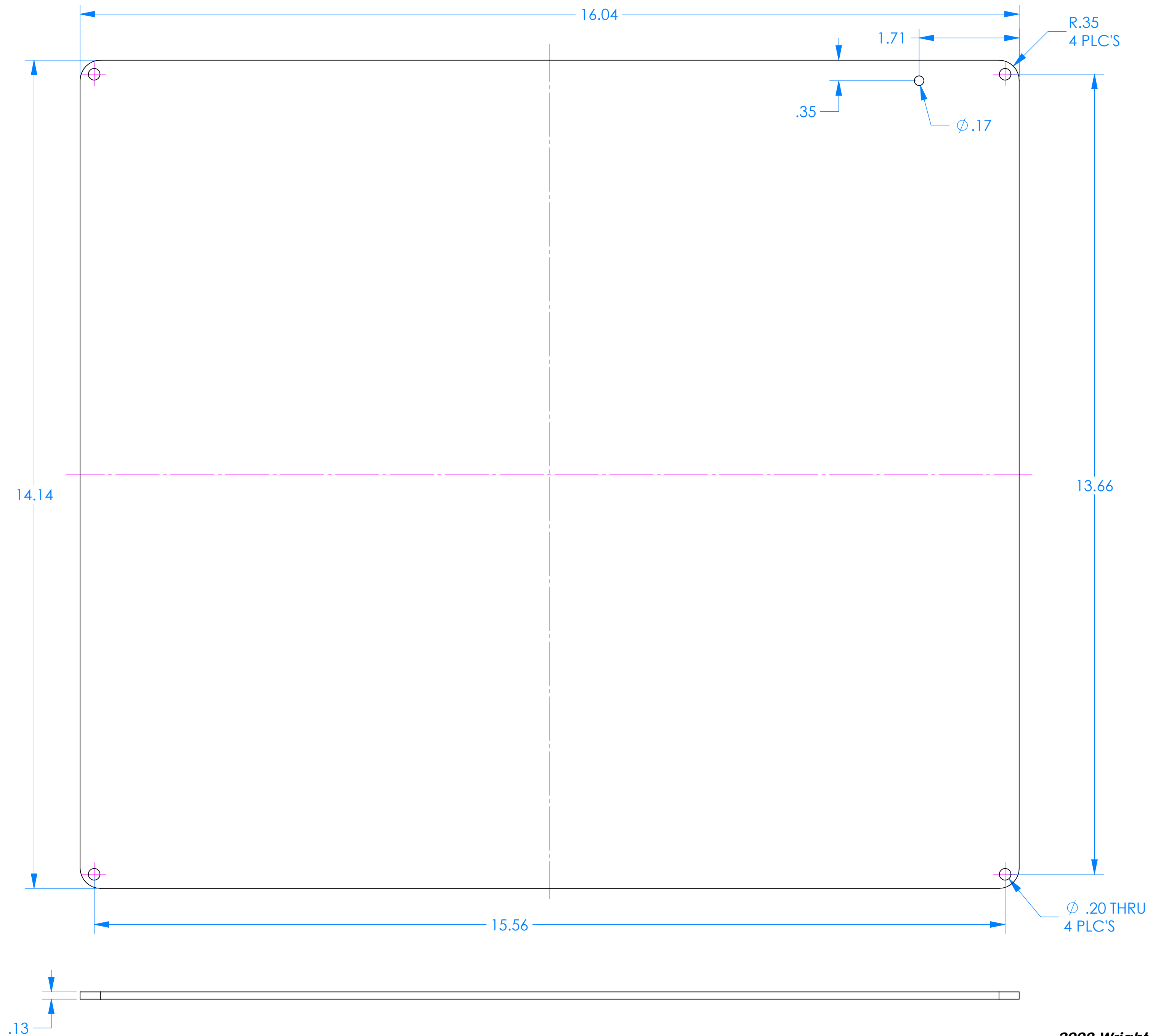
# 7300T Aluminum Top Panel Kit for I602HL, I622HL, I632 and I652



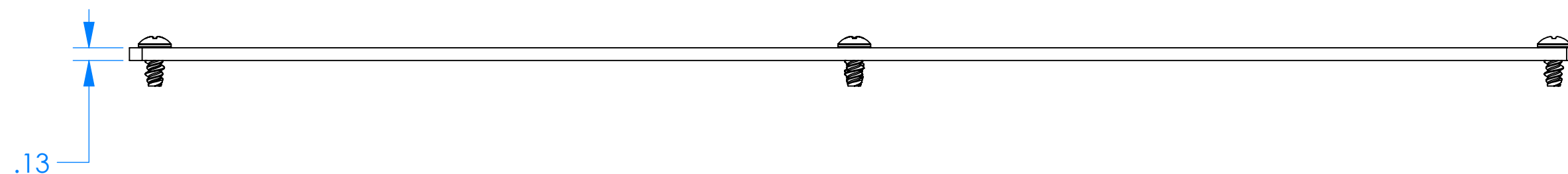
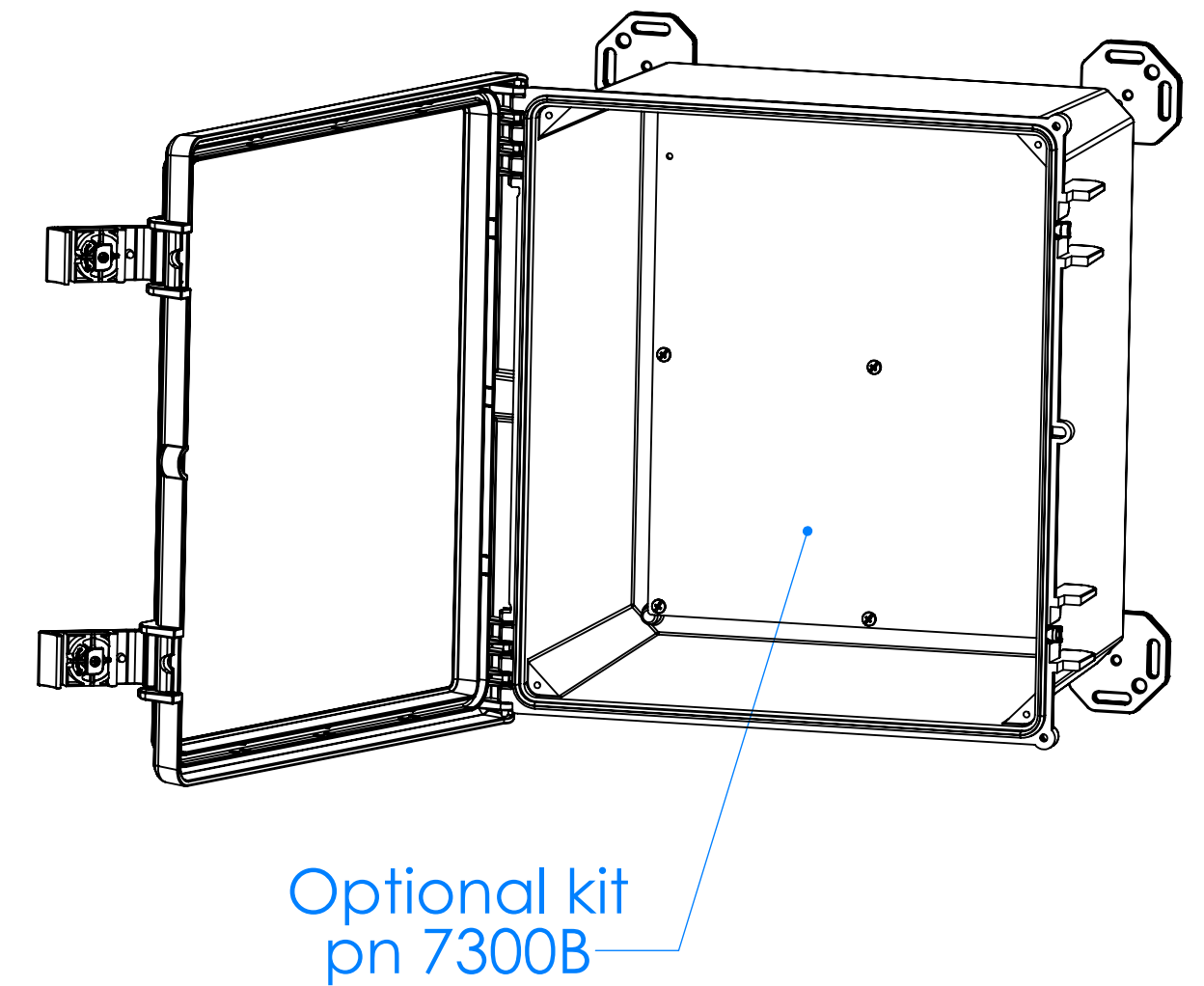
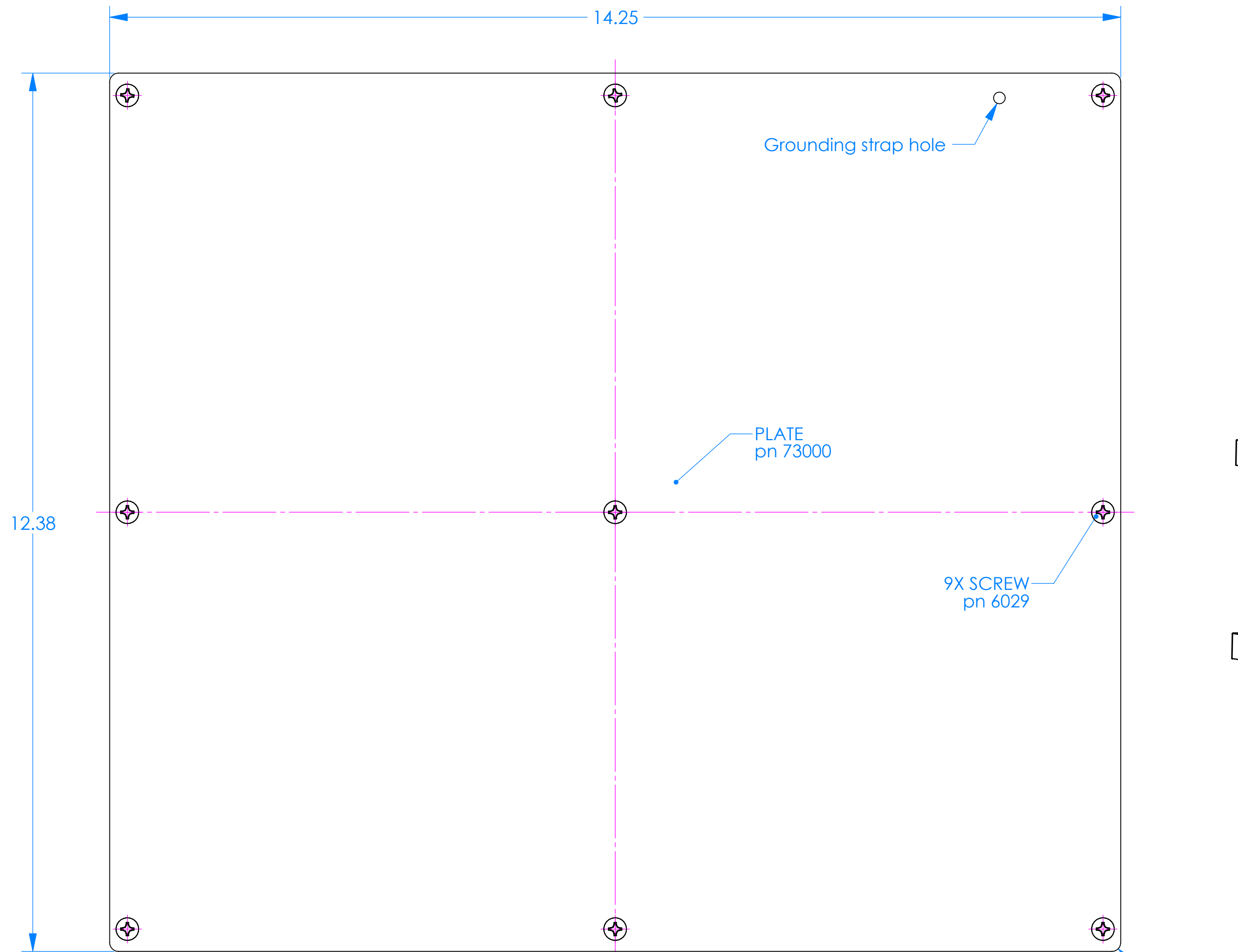
Optional kit  
pn 7300T

Parts Included in kit number 7300T		
P/N	Qty.	Description
73040	1	Aluminum Top Panel
6029	4	SS #10 X 3/8" Pan HL Screw

# 73040 Aluminum Top Panel for I602HL, I622HL, I632 and I652

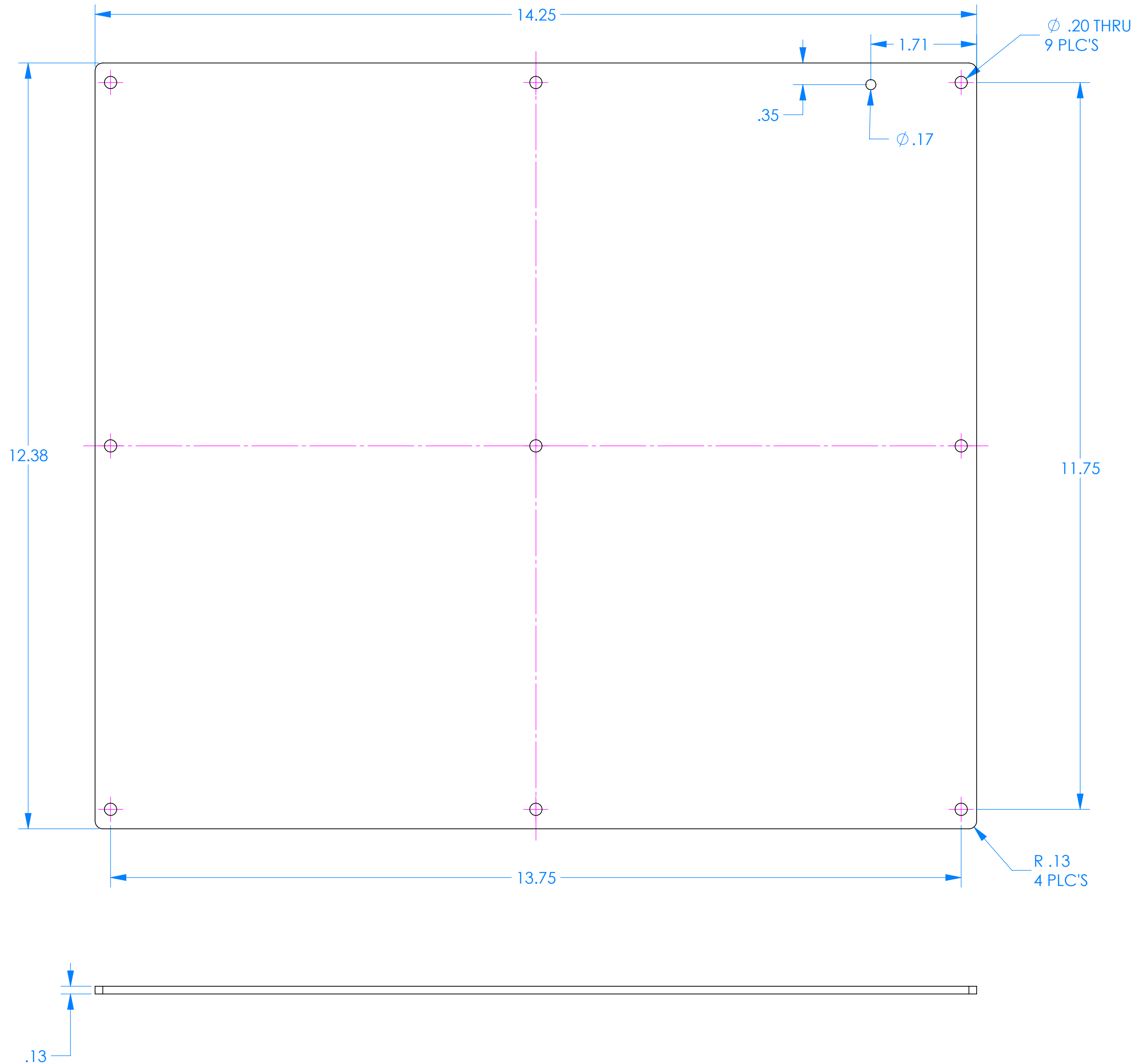


# 7300B Aluminum Bottom Panel Kit for I602HL, I622HL, I632 and I652

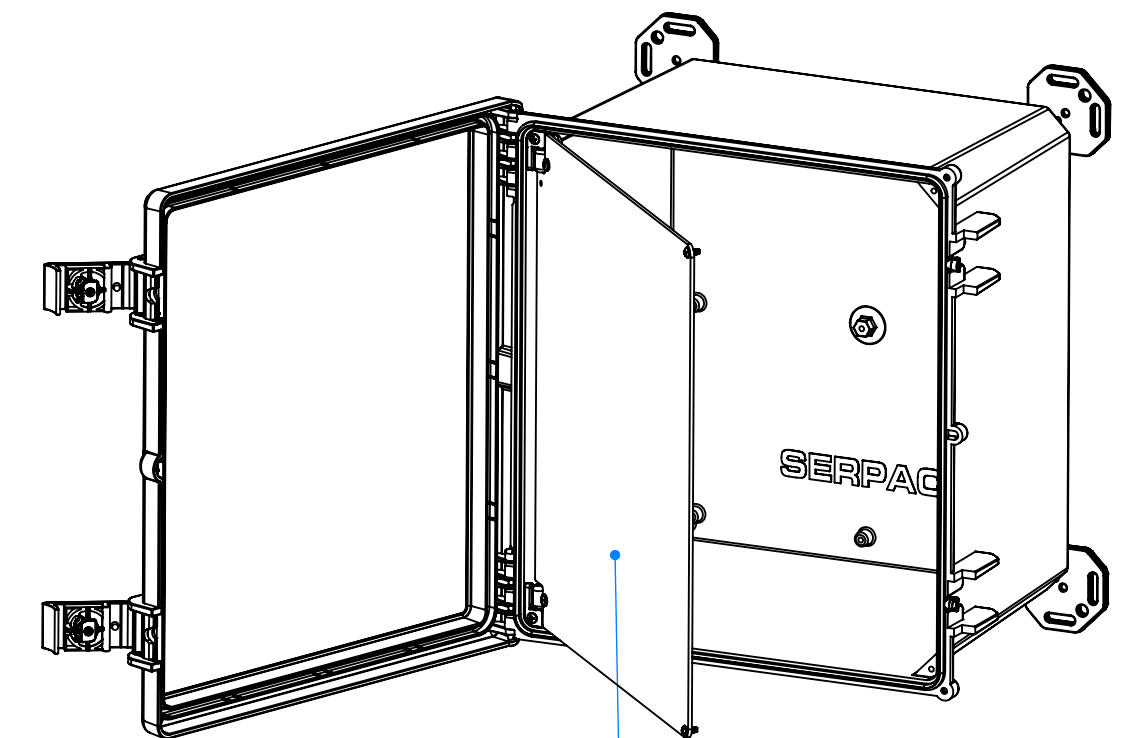
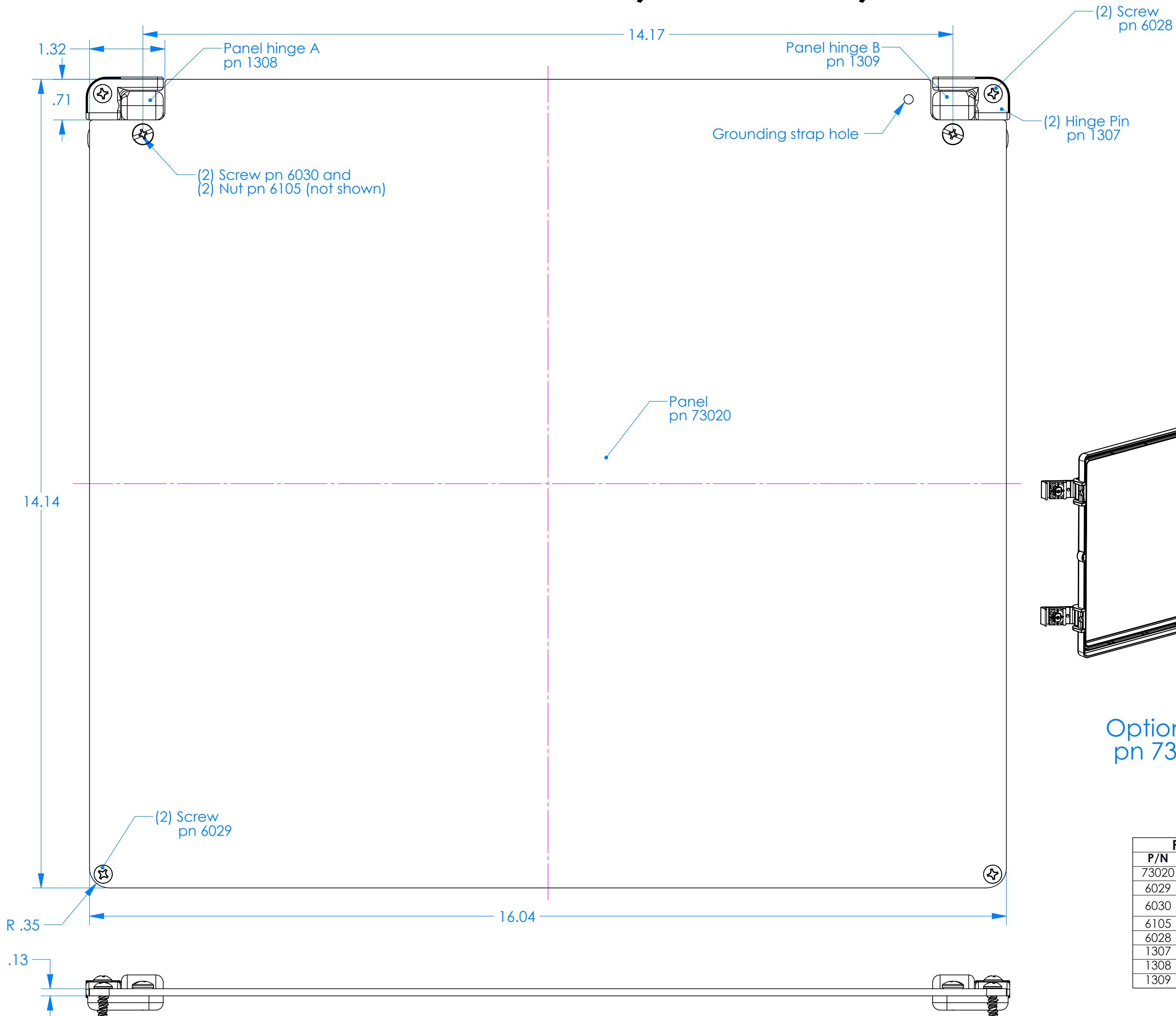


Parts Included in kit number 7300B		
P/N	Qty.	Description
73000	1	Aluminum Bottom Panel
6029	9	SS #10 X 3/8" Pan HL Screw

# 73000 Aluminum Bottom Panel for I602HL, I622HL, I632 and I652



# 7300TH Aluminum Hinged Top Panel Kit for I602HL, I622HL, I632 and I652



Optional kit  
pn 7300TH

Parts Included in kit number 7300TH		
P/N	Qty.	Description
73020	1	Hinged Top Aluminum Panel
6029	2	SS #10 X 3/8" Pan HL Screw
6030	2	SS #10 X 3/8" Pan Combo H/L Screw
6105	2	SS #10-32 X1/8" Nut
6028	2	SS #10 X 5/8" PH HD H/L Screw
1307	2	Hinge Pin for Hinge Panel
1308	1	Hinge A for Hinge Panel
1309	1	Hinge B for Hinge Panel



# 73020 Aluminum Hinged Panel for I602HL, I622HL, I632 and I652

