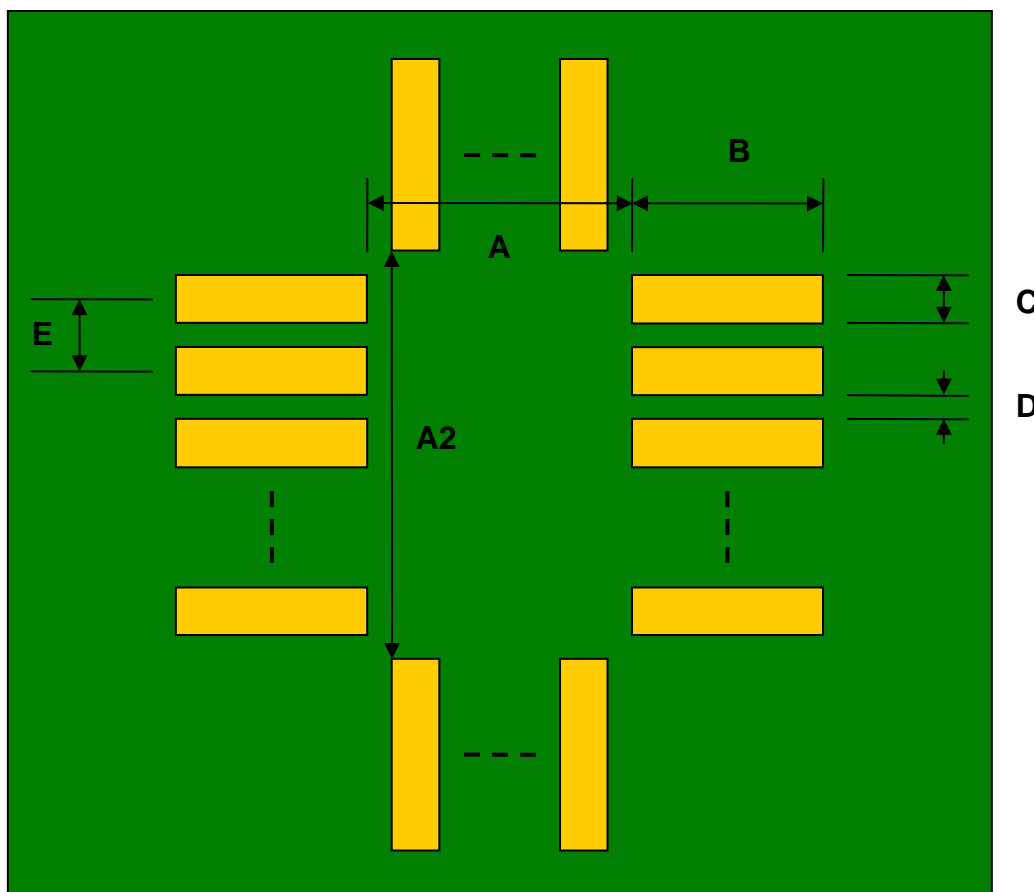


TQFP-176/LQFP-176 to PGA-176 SMT Adapter (0.5 mm pitch, 24 x 24 mm body)

| REF. | DIMENSIONS | | | | | |
|------|------------|-------|------|--------|------|------|
| | mm | | | inches | | |
| | MIN. | TYP. | MAX. | MIN. | TYP. | MAX. |
| A | | 23.60 | | | | |
| A2 | | 23.60 | | | | |
| B | | 2.00 | | | | |
| C | | 0.30 | | | | |
| D | | 0.20 | | | | |
| E | | 0.50 | | | | |

Top View (SMT Footprint)



(Representative drawing only - not to scale)