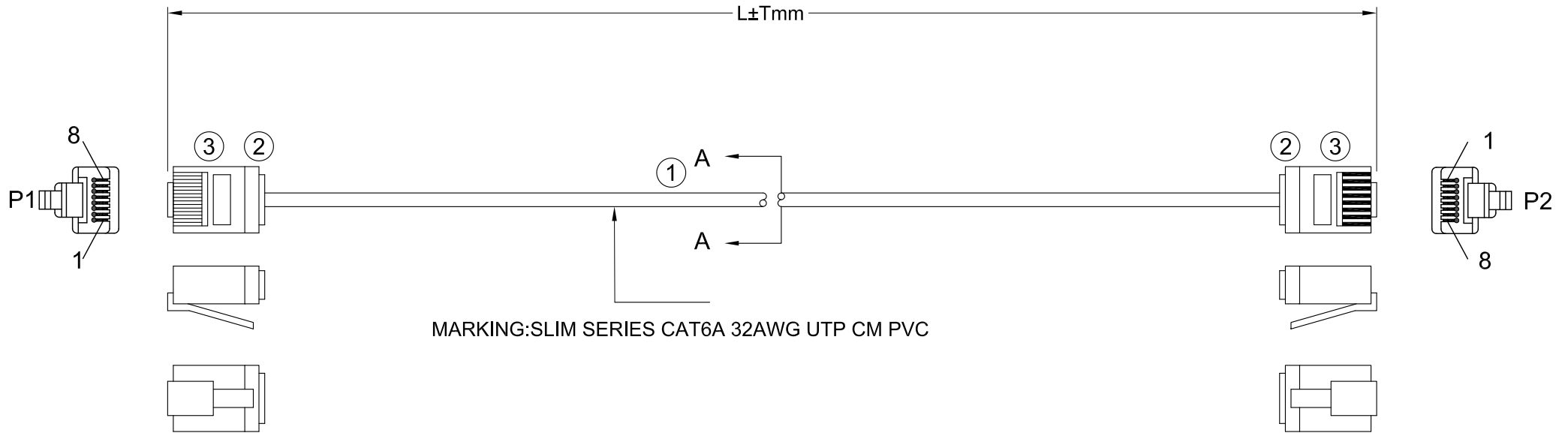


NOTE: ALL MATERIAL COMPLIANT ROHS STANDARD

REVISION INFORMATION			
Rec.	Rec. Date	Modified By	Brief Description



MARKING: SLIM SERIES CAT6A 32AWG UTP CM PVC

JACKET: PVC Thickness: 0.55±0.1mm
 OD=2.6±0.15mm
 INSULATION: HDPE Thickness: 0.1±0.05mm
 OD=0.45±0.05mm
 CONDUCTOR: 32AWG(7/0.08±0.008mmBC)*4P

SEC:A-A

orange 1	green 2
white/orange	white/orange
blue 3	brown 4
white/blue	white/brown

Cable Part No. Color Guide *Replace "XX" in the Part No. to the respective color code (e.x. CM-100250GNBSTK for a Green cable)

White = WT	Gray = GY	Black = BK	Blue = BL	Green = GN
Purple = PU	Yellow = YW	Orange = OR	Red = RD	

PINOUT		
P1	WIRE	P2
1	WHITE/ORANGE	1
2	ORANGE	2
3	WHITE/GREEN	3
6	GREEN	6
5	WHITE/BLUE	5
4	BLUE	4
7	WHITE/BROWN	7
8	BROWN	8

Cable Part No. Length Guide

0.5ft. CM-100289XXBSTK	4ft. CM-100294XXBSTK
1ft. CM-100290XXBSTK	5ft. CM-100295XXBSTK
1.5ft. CM-100291XXBSTK	6ft. CM-100296XXBSTK
2ft. CM-100292XXBSTK	7ft. CM-100297XXBSTK
3ft. CM-100293XXBSTK	10ft. CM-100298XXBSTK

L(ft)	T(inch)	T(%)
1	±1.2	10%
1.5	±1.2	6.6%
2	±1.2	5%
3	±1.2	3.33%
4	±1.2	2.5%
5	±1.2	2%
6	±1.2	1.67%
7	±2	2.38%
10	±2	1.67%



NO.	PART NAME	SPECIFICATION DESCRIPTION	QT'Y	UNIT
③	RJ45 PLUG	8P8C 50U" GOLD PLATED TWO-PIECE PLUG.		
②	MOLDED	PVC SHORT MOLDED BOOT		
①	CABLE	CAT6A UTP 4P/32AWG(7/0.08±0.008MM BC) OD=2.6±0.15mm		

Drawn By:	Date: 10 / 31 / 2022	Description: Cat.6A Super-Slim Cables 32AWG
Checked By:	Sheet 1 of 1	Model No. CM-1002XXXXBSTK
Approved By:	Scale 1:1	Rev. 01 Unit: mm