

E197852

29.0 x 21.5 x 15.3 mm

## Features

- 50A Switching, Industry's Smallest Package Size
- 5kV Dielectric Strength Between Contacts and Coil
- Conforms to IEC61810-1 Reinforced Insulation
- Withstands up to 8kV Surge Voltage per IEC61810-7



## Contact Data\*

Contact Arrangement	1A = SPST N.O.
Contact Rating	50A @ 277VAC, Resistive, 6K cycles, 40°C (1.5W only) 40A @ 277VAC, Resistive, 20K cycles, 40°C 30A @ 277VAC, Resistive, 50K cycles, 85°C 1hp @ 125VAC, 100K cycles, 40°C TV-8 @ 250VAC, 25K cycles, 40°C

Contact Resistance	< 30 milliohms initial
Contact Material	AgSnO <sub>2</sub>
Maximum Switching Power	13850VA
Maximum Switching Voltage	277VAC
Maximum Switching Current	50A

## Coil Data\*

Coil Voltage VDC		Coil Resistance Ω +/- 10%		Pick Up Voltage VDC (max) 75% of rated voltage	Release Voltage VDC (min) 10% of rated voltage	Coil Power W	Operate Time ms	Release Time ms
Rated	Max	.9W	1.5W					
5	6.5	28	17	3.75	0.5	.9W or 1.5W	15	10
6	7.8	40	24	4.50	0.6			
12	15.6	160	96	9.00	1.2			
24	31.2	640	384	18.00	2.4			
48	62.4	2560	1536	36.00	4.8			

## General Data\*

Electrical Life @ rated load	100K cycles, average	
Mechanical Life	500K cycles, average	
Insulation Resistance	1000M Ω min. @ 500VDC, initial	
Dielectric Strength	Coil to Contact	5000V rms min. @ sea level, initial
	Contact to Contact	1500V rms min. @ sea level, initial
Shock Resistance	98m/s <sup>2</sup>	
Vibration Resistance	1.50mm double amplitude 10~55Hz	
Operating Temperature	-40°C to +125°C	
Storage Temperature	-40°C to +155°C	
Solderability	260°C for 5 s	
Weight	18g	

\* Values can change due to the switching frequency, desired reliability levels, environmental conditions and in-rush load levels. It is recommended to test actual load conditions for the application. It is the user's responsibility to determine the performance suitability for their specific application. The use of any coil voltage less than the rated coil voltage may compromise the operation of the relay.

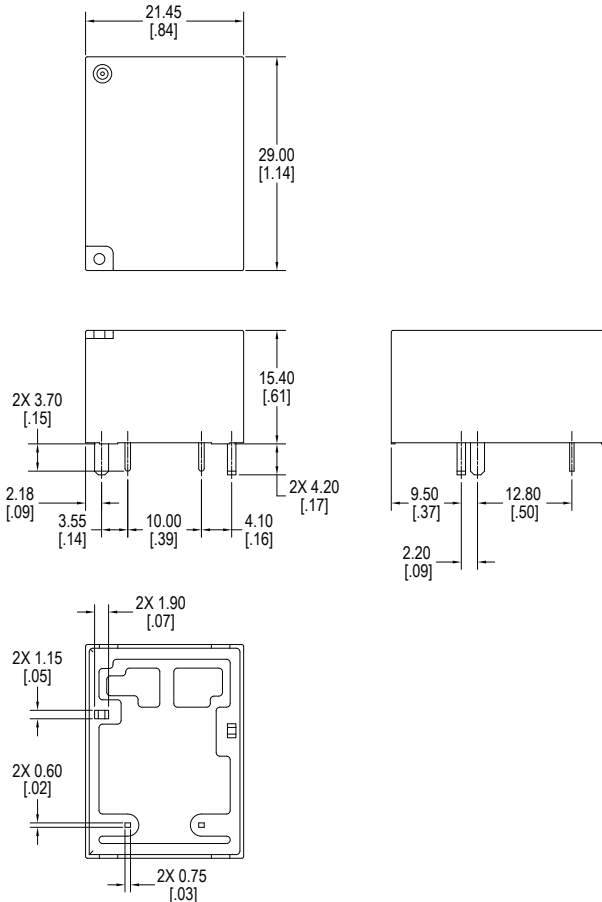


### Ordering Information

1. Series	J116F1	1A	12VDC	S	.9
J116F1					
2. Contact Arrangement	1A = SPST N.O.				
3. Terminal Options	Blank = Standard W = 3.3mm Contact Terminal Width				
4. Coil Voltage	5VDC 6VDC 12VDC 24VDC 48VDC				
5. Sealing Options	S = Sealed				
6. Coil Power	.9 = 0.9W 1.5 = 1.5W				

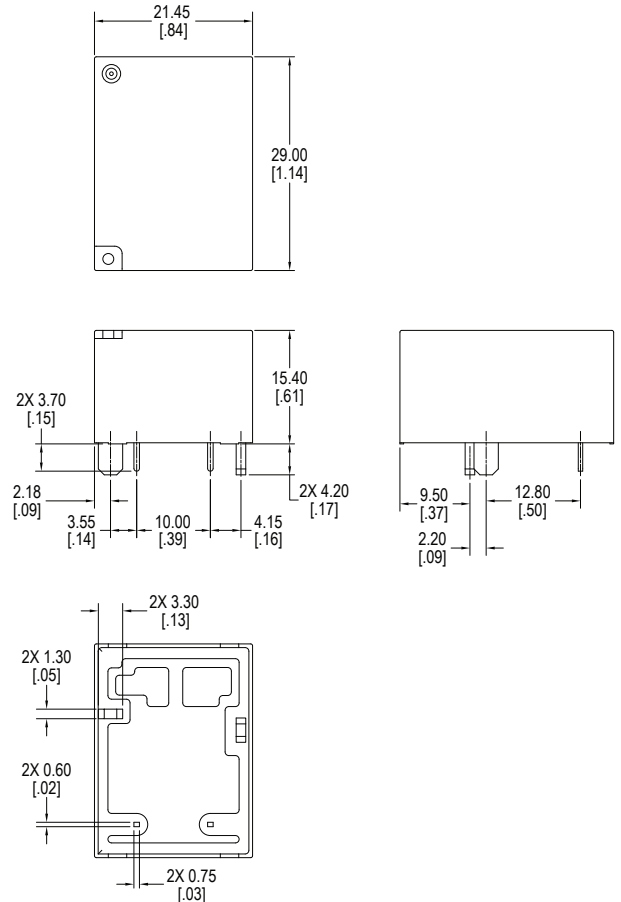
### Dimensions - Standard

Units = mm



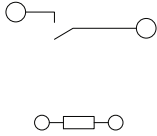
### Dimensions - Wide

Units = mm

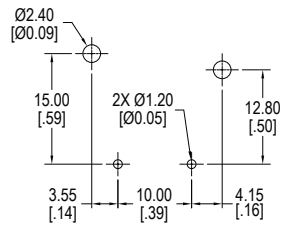


## Schematics & PC Layouts

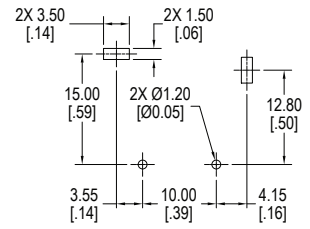
### Bottom Views



1A



Standard



Wide