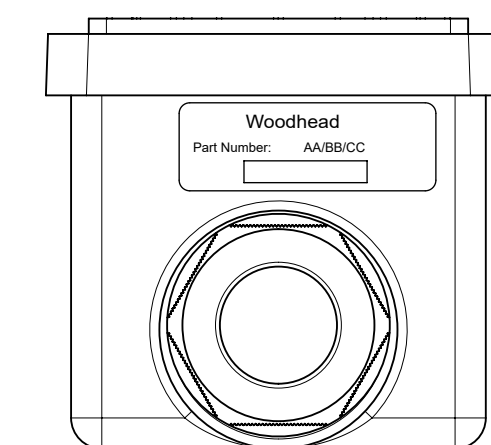
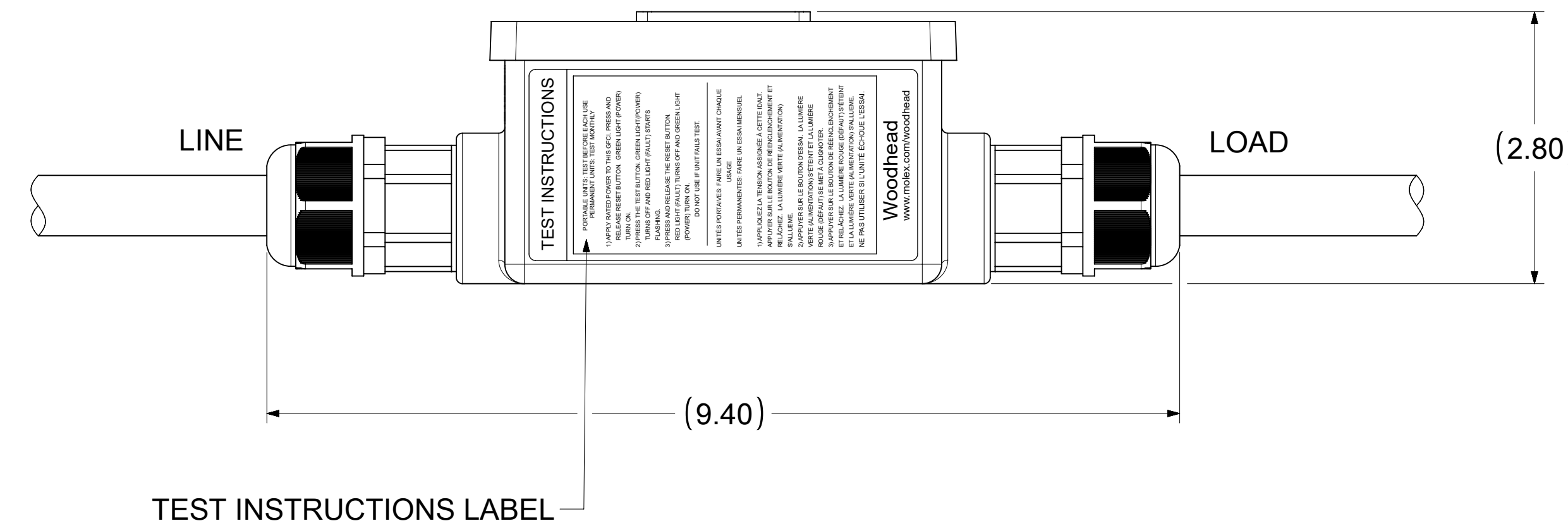
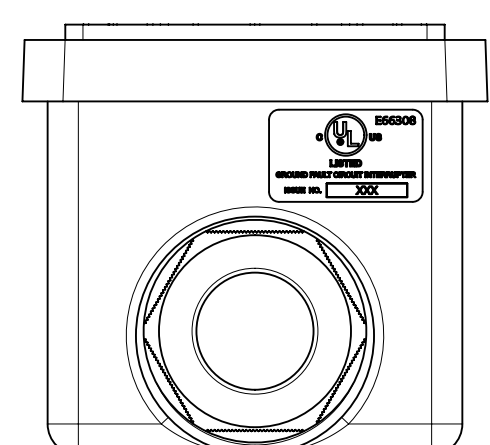
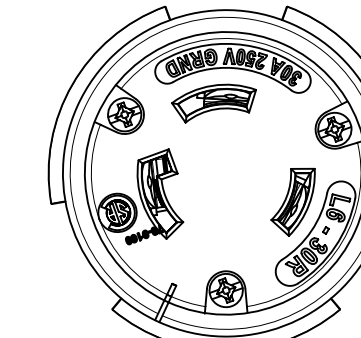
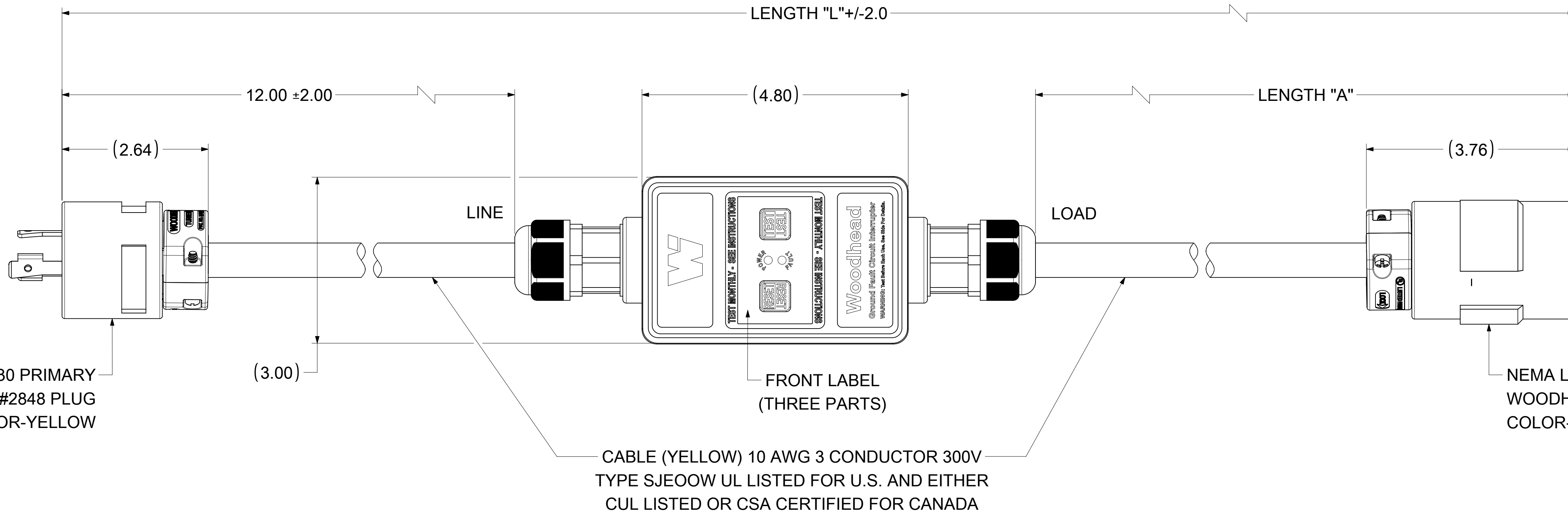


NEMA L6-30 PRIMARY
WOODHEAD #2848 PLUG
COLOR-YELLOW



TECHNICAL

LISTED:	UL & CSA
RATED SUPPLY VOLTAGE:	240VAC
RATED CURRENT:	UP TO 30 AMPS
RESET TYPE:	AUTOMATIC OR MANUAL
OPERATING FREQUENCY:	60 Hz
TYPE:	CLASS A
GROUND TRIP CURRENT:	5mA +/- 1mA
OVERLOAD CURRENT:	180 AMPS, 0.45PF
INSULATION VOLTAGE:	1,500 VRMS - 1 MINUTE
ENDURANCE OPERATIONS:	3000 OPERATIONS
ENCLOSURE:	NEMA 4X/6P

MATERIAL NO.	ENGINEERING NO.	LENGTH "L"	LENGTH "A"	POWER-UP
1301530184	30053-1A	2 FT 9.4 IN.	1 FT	AUTO
1301530190	30053-6A	7 FT 9.4 IN.	6 FT	AUTO
1301530187	30053-25A	26 FT 9.4 IN.	25 FT	AUTO
1301530185	30053-1M	2 FT 9.4 IN.	1 FT	MANUAL
1301530191	30053-6M	7 FT 9.4 IN.	6 FT	MANUAL
1301530188	30053-25M	26 FT 9.4 IN.	25 FT	MANUAL

FUNCTIONAL SYMBOLS FA = 0 FC = 0 FP = 0 DIVISIONAL SYMBOLS	THIS DRAWING CONTAINS INFORMATION THAT IS PROPRIETARY TO MOLEX ELECTRONIC TECHNOLOGIES, LLC AND SHOULD NOT BE USED WITHOUT WRITTEN PERMISSION		CURRENT REV DESC: NEW SALES DRAWING CREATED		<p>30A/240V GFCI AUTO 2FT SUPER-SAFEWAY NEMA L6</p> <p>PRODUCT CUSTOMER DRAWING</p>				
	DIMENSION UNITS	SCALE	EC NO: 666699						
	INCH	NTS	DRWN: PPURSTANDEL	2021/07/05					
	GENERAL TOLERANCES (UNLESS SPECIFIED)		CHK'D: DNGUYEN62	2021/08/16					
ANGULAR TOL ± °		APPR: HKNEELAND	2021/08/17	INITIAL REVISION:	DOCUMENT NUMBER	DOC TYPE	DOC PART	REVISION	
4 PLACES ±		DRWN: PPURSTANDEL	2021/07/05	1301530184	PSD	000	A		
3 PLACES ±		APPR: HKNEELAND	2021/08/17	SEE TABLE	GENERAL MARKET	SHEET NUMBER			
2 PLACES ±		DRAFT WHERE APPLICABLE MUST REMAIN WITHIN DIMENSIONS		THIRD ANGLE PROJECTION	DRAWING	SERIES	1 OF 1		
1 PLACE ±		D-DRAWING		130153					
0 PLACES ±									