

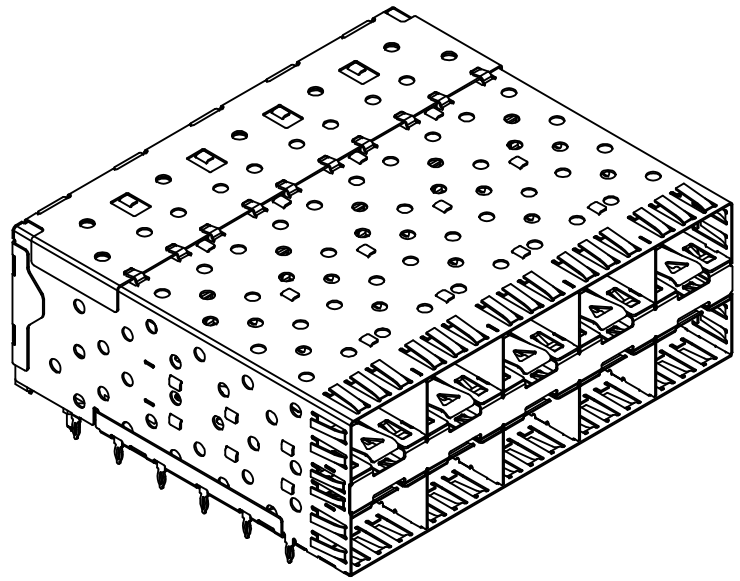
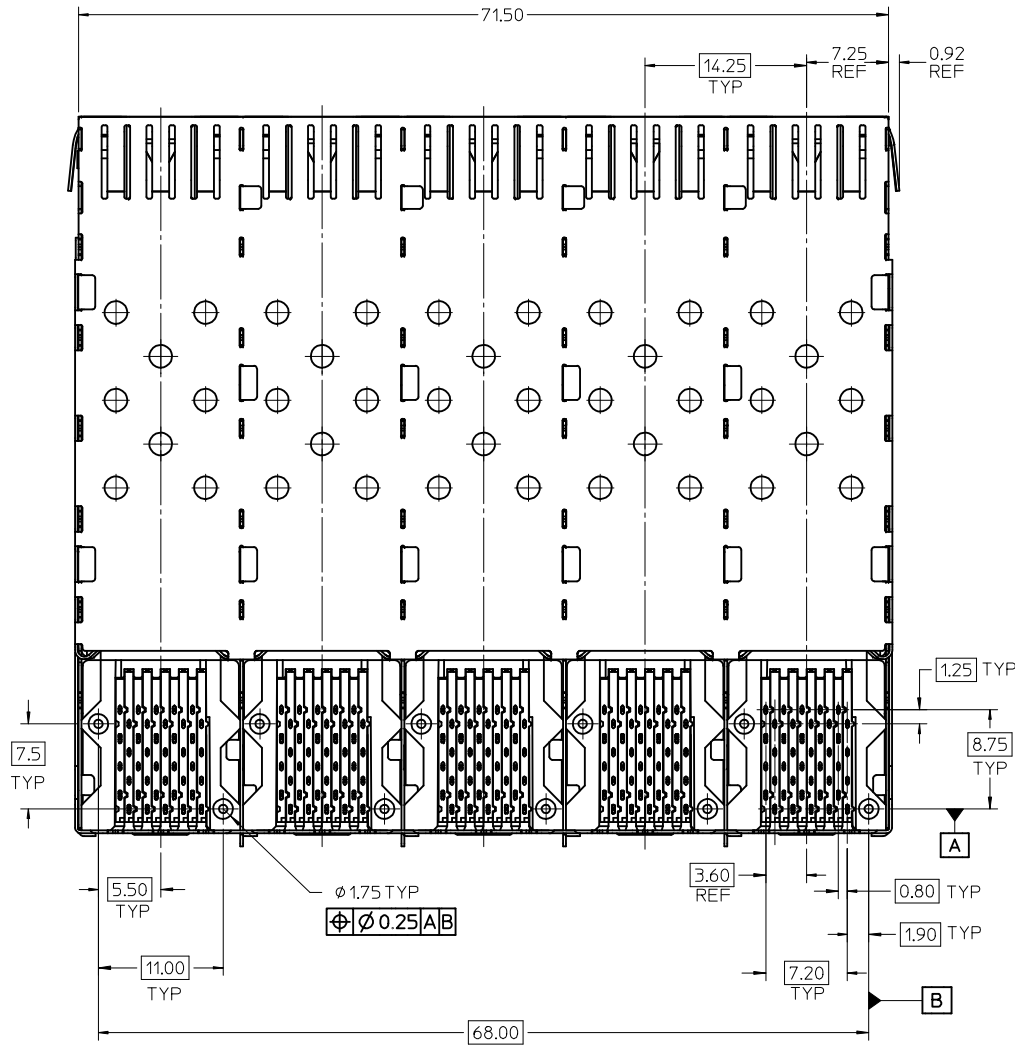
- NOTES:
- MATERIAL:
 - CAGE: NICKEL SILVER, THICKNESS: 0.25mm
 - CONNECTOR HOUSING: GLASS FILLED THERMOPLASTIC, UL: 94 V-0, COLOR: BLACK
 - OVERMOLD TERMINAL HOUSING: GLASS FILLED THERMOPLASTIC, UL: 94 V-0, COLOR: BLACK
 - TERMINALS: BRASS
 - FINISH
 - TERMINALS: CONTACT AREA: 0.76 MICROMETERS MINIMUM HARD GOLD OVER 1.27 MICROMETERS MINIMUM NICKEL.
 - COMPLIANT TAIL - TIN/LEAD OPTION: 0.76 - 1.52 MICROMETERS 90/10 TIN/LEAD OVER 0.76 - 1.52 MICROMETERS NICKEL.
 - COMPLIANT TAIL - TIN OPTION: 0.76 - 1.52 MICROMETERS TIN OVER 0.76 - 1.52 MICROMETERS NICKEL.
 - REFER TO PS-75310-001 PRODUCT SPEC FOR ALL ELECTRICAL, MECHANICAL AND ENVIRONMENTAL SPECIFICATIONS.
 - REFER TO PK-75733-001 FOR ALL PACKAGING SPECIFICATIONS.
 - THE CURVED TAILS THAT GO INTO THE HOLES LOCATED BY THESE DIMENSIONS ARE BEING ELIMINATED. TO ACCOMMODATE THIS CONVERSION, IT IS RECOMMENDED THAT BOARDS DESIGNED TO THIS PRINT REVISION INCLUDE THESE HOLES.
 - PART COMPLIES WITH COSMETIC SPECIFICATION PS-45499-002. SEE SHEET 4 SECTION Z-Z FOR SURFACE CLASSIFICATIONS. UNDERSIDE OF CAGE COMPLIES WITH CLASS 'C'.

ADD KEEP OUT ZONES	EC NO: UCP2010-0369	2009/07/01	DRWN:MSIBARRA	2009/08/26	CHKD:BBARKER	2009/08/27	APPR:SMILLER
	DESCRIPTION	QUALITY SYMBOLS	▽=0	▽=0			
REV							

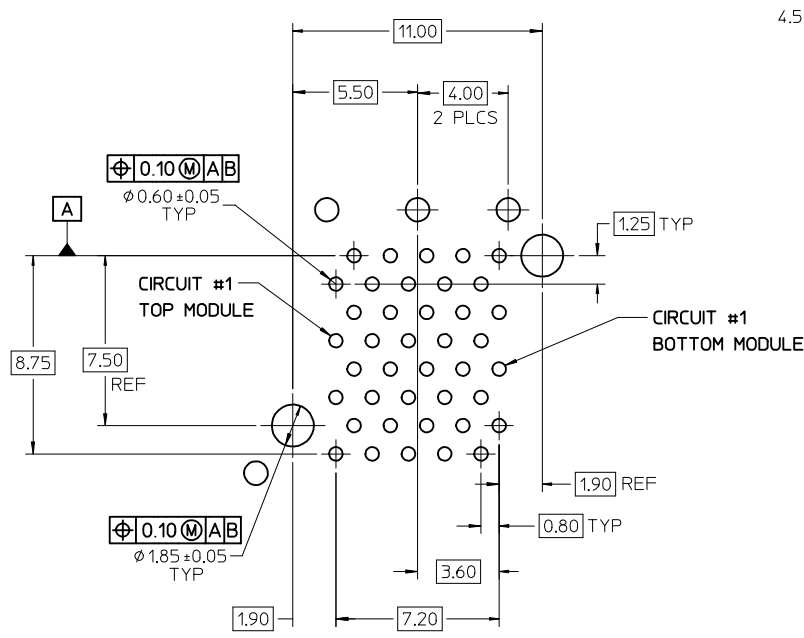
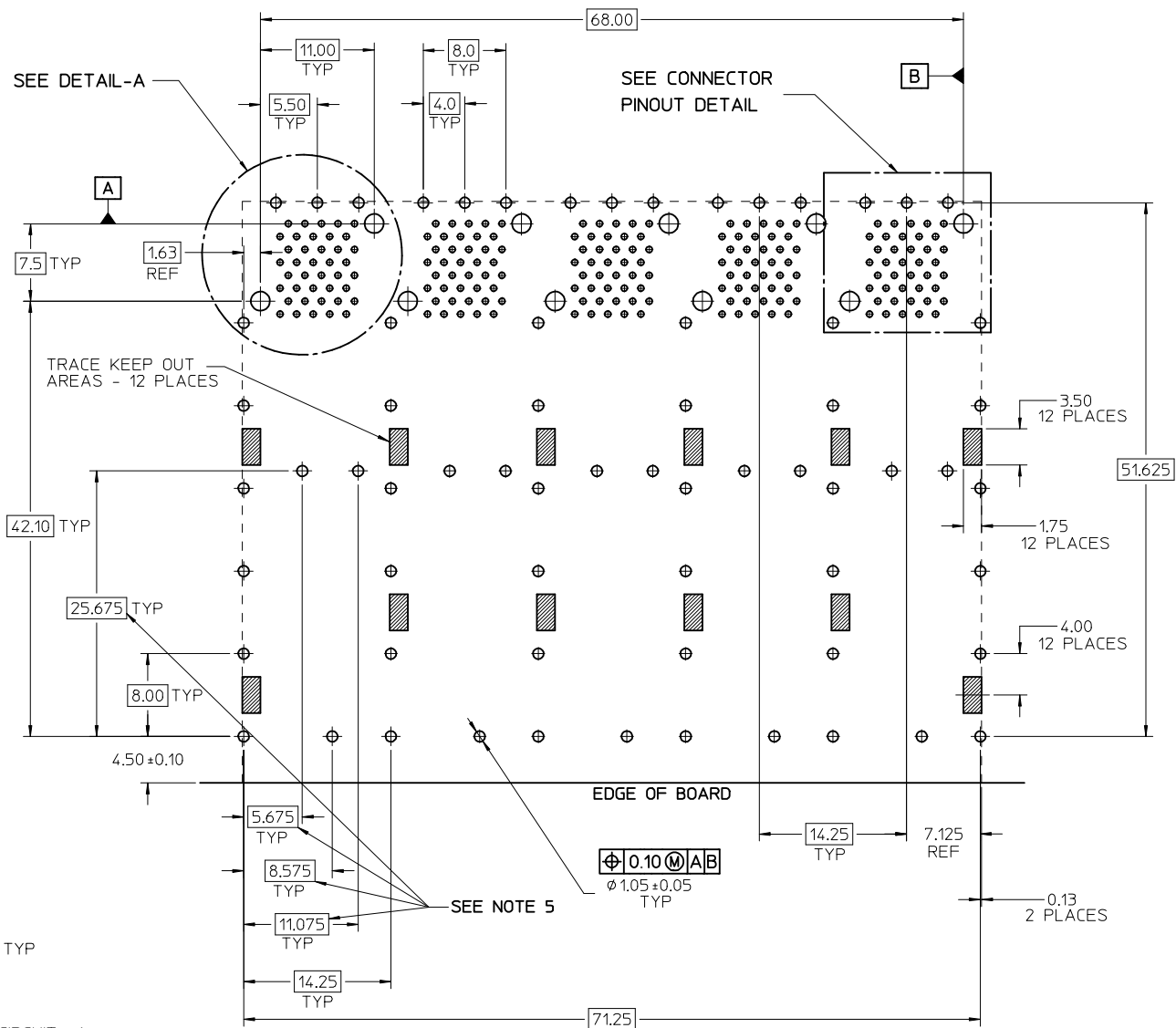
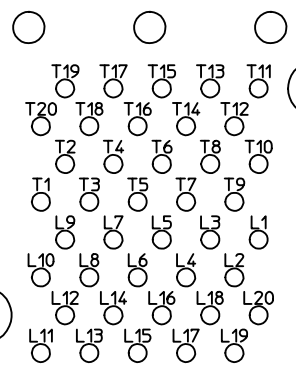
GENERAL TOLERANCES (UNLESS SPECIFIED)	
mm	INCH
4 PLACES ± ---	± ---
3 PLACES ± ---	± ---
2 PLACES ± 0.13	± ---
1 PLACE ± 0.25	± ---
ANGULAR ± 5 °	
DRAFT WHERE APPLICABLE MUST REMAIN WITHIN DIMENSIONS	

DIMENSION STYLE	
MM ONLY	
DRAWN BY	DATE
DROSCA	11/23/2004
CHECKED BY	DATE
JLONG	11/23/2004
APPROVED BY	DATE
RNELSON	11/23/2004
MATERIAL NO.	
SEE TABLE	
SIZE	
THIS DRAWING CONTAINS INFORMATION THAT IS PROPRIETARY TO MOLEX INCORPORATED AND SHOULD NOT BE USED WITHOUT WRITTEN PERMISSION	

757335001	TIN
757330001	TIN /LEAD
MATERIAL NO.	TERMINAL TAIL PLATING
SCALE 3:1	
DESIGN UNITS	THIRD ANGLE PROJECTION
METRIC	
TITLE	
STACKED SFP 2X5 MEDIUM HEIGHT ASS'Y, PRESS-FIT TAIL WITHOUT LIGHT PIPES	
MOLEX MOLEX INCORPORATED	
DOCUMENT NO.	SHEET NO.
SD-75733-001	1 OF 4

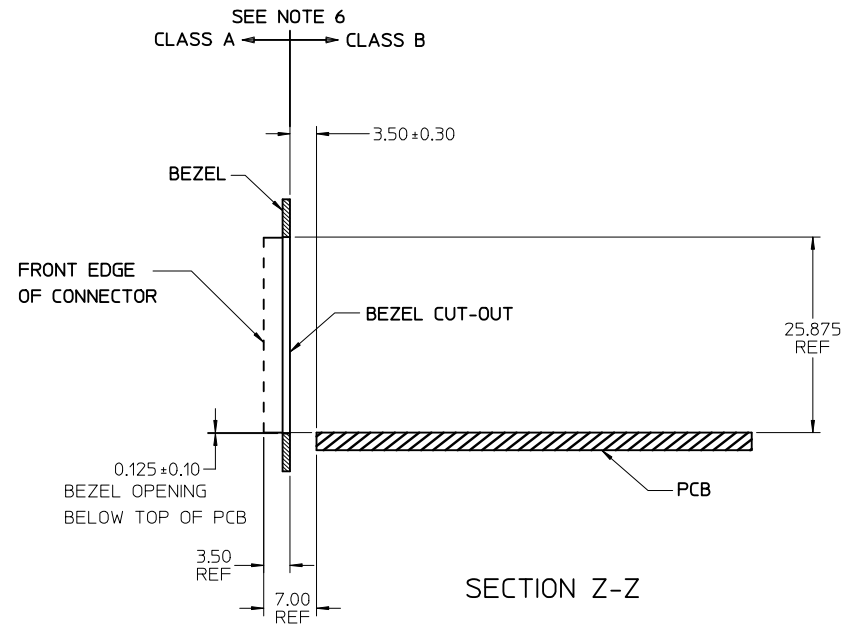
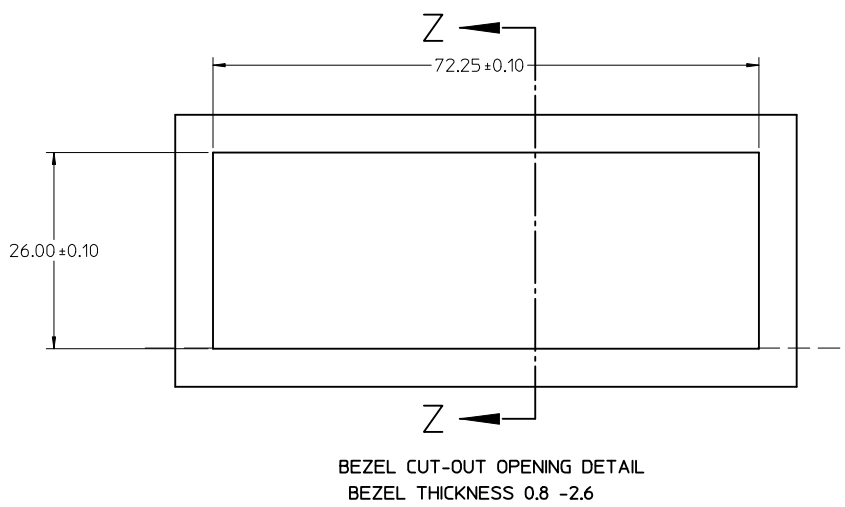


SEE SHEET 1 EC NO: UCP2010-0369 2009/07/01 DRWN:MS BARRA 2009/08/26 CHKD:BBARKER 2009/08/27 APPR:SMILLER	DESCRIPTION REV 1	QUALITY SYMBOLS	GENERAL TOLERANCES (UNLESS SPECIFIED)	DIMENSION STYLE	SCALE	DESIGN UNITS	THIRD ANGLE PROJECTION	
		▽=0 ▽=0	mm INCH 4 PLACES ± --- ± --- 3 PLACES ± --- ± --- 2 PLACES ± 0.13 ± --- 1 PLACE ± 0.25 ± --- ANGULAR ± 5 °	MM ONLY	3:1	METRIC	☉ □ THIRD ANGLE PROJECTION	
			DRAFT WHERE APPLICABLE MUST REMAIN WITHIN DIMENSIONS	DRAWN BY DATE DROSCA 11/23/2004 CHECKED BY DATE JLONG 11/23/2004 APPROVED BY DATE RNELSON 11/23/2004	TITLE	STACKED SFP 2X5 MEDIUM HEIGHT ASS'Y, PRESS-FIT TAIL WITHOUT LIGHT PIPES		
				MATERIAL NO. SEE TABLE SIZE C	DOCUMENT NO. MOLEX INCORPORATED SD-75733-001	SHEET NO. 2 OF 4		



RECOMMENDED PCB LAYOUT - COMPONENT SIDE
RECOMMENDED PCB THICKNESS - 2.36 MM (.093 INCH)
THE ENTIRE AREA OF THE CONNECTOR FOOTPRINT
TO BE CONSIDERED THE KEEP OUT AREA FOR COMPONENTS
THIS AREA IS INDICATED BY THE DASHED LINE

ADD KEEP OUT ZONES EC NO: UCP2010-0369 DRWING: SBARRA 2009/07/01 CHKD: BARKER 2009/08/26 APPR: MILLER 2009/08/27	QUALITY SYMBOLS ▽=0 ▽=0	GENERAL TOLERANCES (UNLESS SPECIFIED)		DIMENSION STYLE MM ONLY		SCALE 3:1	DESIGN UNITS METRIC	THIRD ANGLE PROJECTION	
		4 PLACES ± --- ± --- 3 PLACES ± --- ± --- 2 PLACES ± 0.13 ± --- 1 PLACE ± 0.25 ± --- ANGULAR ± 5 °	mm INCH ± --- ± --- ± 0.13 ± --- ± 0.25 ± ---	DRAWN BY DROSCA	DATE 11/23/2004	TITLE STACKED SFP 2X5 MEDIUM HEIGHT ASS'Y, PRESS-FIT TAIL WITHOUT LIGHT PIPES	MATERIAL NO. SEE TABLE	DOCUMENT NO. SD-75733-001	SHEET NO. 3 OF 4



SEE SHEET 1 EC NO: UCP2010-0369 2009/07/01 DRWN:MS BARRA 2009/08/26 CHKD:BBARKER APPR:SMILLER 2009/08/27	QUALITY SYMBOLS ▽=0 ▽=0	GENERAL TOLERANCES (UNLESS SPECIFIED)		DIMENSION STYLE MM ONLY		SCALE 2:1	DESIGN UNITS METRIC	THIRD ANGLE PROJECTION		
		4 PLACES	± 0.15	± 0.005	DRAWN BY	DATE	TITLE STACKED SFP 2X5 MEDIUM HEIGHT ASS'Y, PRESS-FIT TAIL WITHOUT LIGHT PIPES			
		3 PLACES	± 0.13	± 0.005	CHECKED BY	DATE				
		2 PLACES	± 0.13	± 0.005	JLONG	11/23/2004	MOLEX INCORPORATED			
1 PLACE	± 0.25	± 0.005	APPROVED BY	DATE						
		ANGULAR ± 5°		MATERIAL NO.		DOCUMENT NO.		SHEET NO.		
DRAFT WHERE APPLICABLE MUST REMAIN WITHIN DIMENSIONS		SEE TABLE		SD-75733-001		4 OF 4				
THIS DRAWING CONTAINS INFORMATION THAT IS PROPRIETARY TO MOLEX INCORPORATED AND SHOULD NOT BE USED WITHOUT WRITTEN PERMISSION										