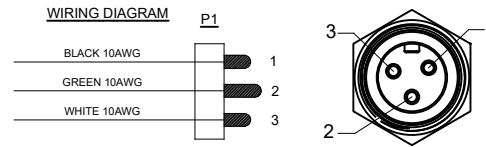
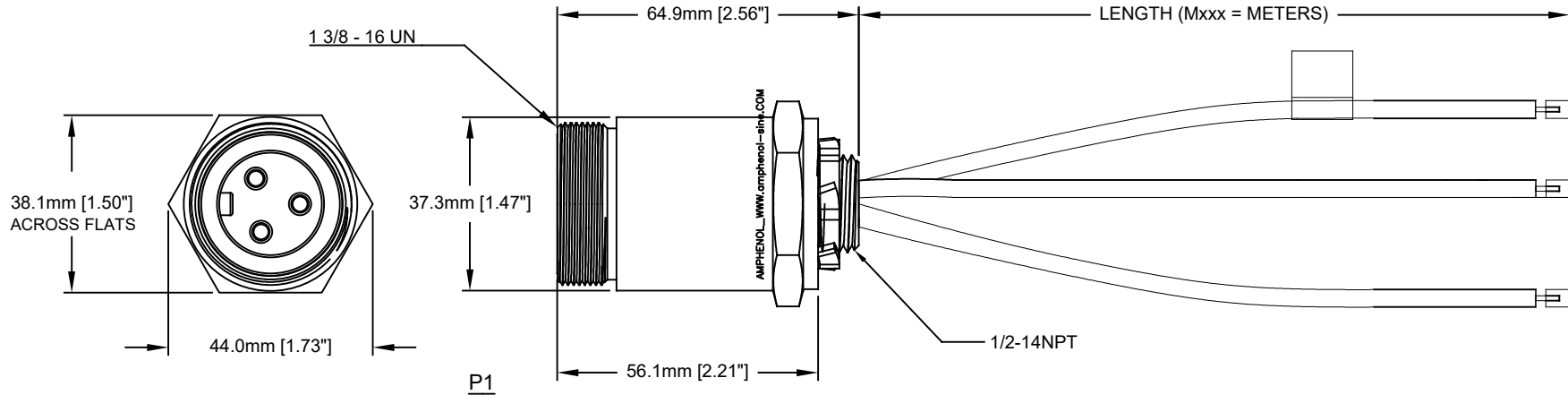


REVISIONS					
REV	ECO	DESCRIPTION	DATE	BY	APPR
A1	-	TECHNICAL DATA SHEET RELEASE	12-MAY-14	KMM	RFC



TECHNICAL DATA:

- MATERIALS:**
 HOUSING: MACHINED ALUMINUM, ANODIZED
 INSULATION INSERT: THERMOPLASTIC, UL 94/V-0
 CONTACT: GOLD FLASH PLATING OVER COPPER ALLOY
 CONDUCTOR INSULATION: PVC
 NUMBER OF CONDUCTORS: (3) 10AWG
- ELECTRICAL DATA:**
 CURRENT (MAX): 30A
 VOLTAGE (MAX): 600V AC/DC
 INSULATION RESISTANCE (MIN): 5000M OHMS
 DIELECTRIC TEST VOLTAGE: 2200V
- MECHANICAL DATA:**
 KNOCKOUT HOLE SIZE FOR PANEL MOUNT: 22.2mm [.88"]
 TEMPERATURE RANGE: -40°C TO 90°C
 PROTECTION: IP67 (MATED CONDITION)
 MATING CYCLES: >500
 VIBRATION RESISTANCE PER MIL-STD-202 METHOD 204
 THERMAL SHOCK PER MIL-STD-202 METHOD 207
 48 HOUR SALT SPRAY PER MIL-STD-202 METHOD 101
- RoHS COMPLIANT**
- UL 2237 LISTED ASSEMBLY**
 UL FILE NUMBERS: E339703

Amphenol P/N	MOLEX	TURCK
P29030-M*	CR3006A30M*	GSDP30-*M/14.5/NPT
P29030-M.5	CR3006A30M005	GSDP30-.5M/14.5/NPT
P29030-M1	CR3006A30M010	GSDP30-1M/14.5/NPT
P29030-M2	CR3006A30M020	GSDP30-2M/14.5/NPT
P29030-M3	CR3006A30M030	GSDP30-3M/14.5/NPT

TOLERANCE	
0-2.99 M = +100.0/-25.0mm	0-9.99 FT = +4" / -1"
3-8.99 M = +150.0/-25.0mm	10.00-29.99 FT = +6" / -1"
9-14.99 M = +300.0/-25.0mm	30.00-49.99 FT = +12" / -1"
15-OVER M = +450.0/-25.0mm	50 FT-OVER = +18" / -1"

QUANTITY	PART NUMBER	DESCRIPTION	ITEM
MATERIALS LIST			
<small>UNLESS OTHERWISE SPECIFIED</small> 1) All dimensions are in metric (mm). 2) Tolerances are as follows: 1 PL DEC ±0.30 Fractions ±1/64 2 PL DEC ±0.15 Angles ±1° 3 PL DEC ±0.08 3) Note reference =		SIGNATURES DATE DRAWN: KMM 12-MAY-14 CHECKED: MRF 12-MAY-14 ENGINEER: KMM APPROVAL: RFC 12-MAY-14 CUSTOMER:	
MATERIAL SPECIFICATIONS: PROCESS SPECIFICATIONS:		 Sine Systems - www.amphenol-sine.com 44724 Morley Drive Clinton Township, MI 48036 M35 PB LITE, 3 PIN, MALE RECEPTACLE TRUNK, 10 AWG, 1/2 - 14NPT	
<small>THIS DRAWING IS SUPPLIED FOR INFORMATION ONLY. DESIGN FEATURES, SPECIFICATIONS AND PERFORMANCE DATA SHOWN HEREON ARE THE PROPERTY OF THE AMPHENOL CORPORATION. NO RIGHTS OF REPRODUCTION ARE IMPLIED. ALL DIMENSIONS ARE SUBJECT TO NORMAL MANUFACTURING VARIATIONS.</small>		SIZE: C- SCALE: FULL	DWG NO: PP29030-Mxxx REVISION: A1
<small>NET ASSY:</small>		SHEET 1 OF 1	C-PP29030

TTT-435 PB LITE, 3 PIN, MALE REC, 10AWG, 1/2-14NPT
 dms no: C-PP29030-Mxxx
 rev: A1
 sh: 1
 of: 1