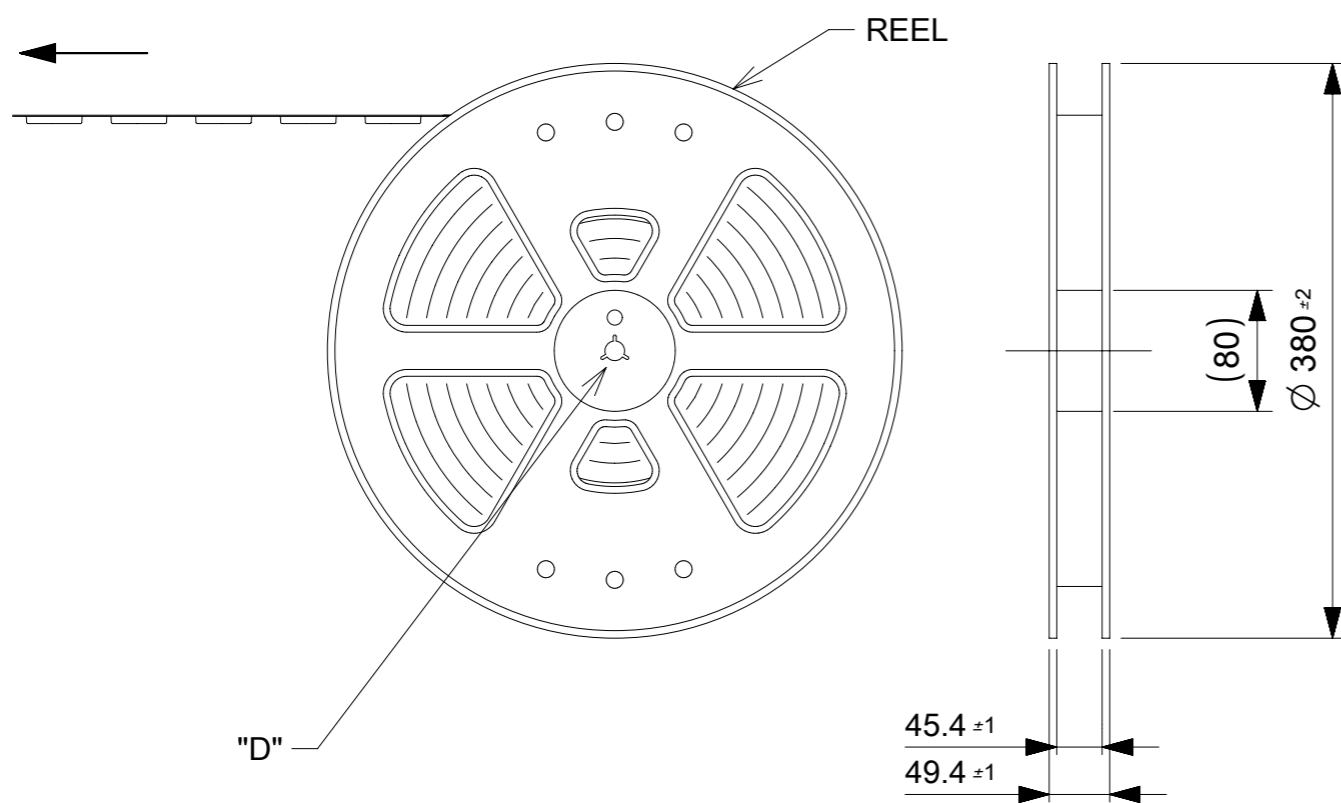
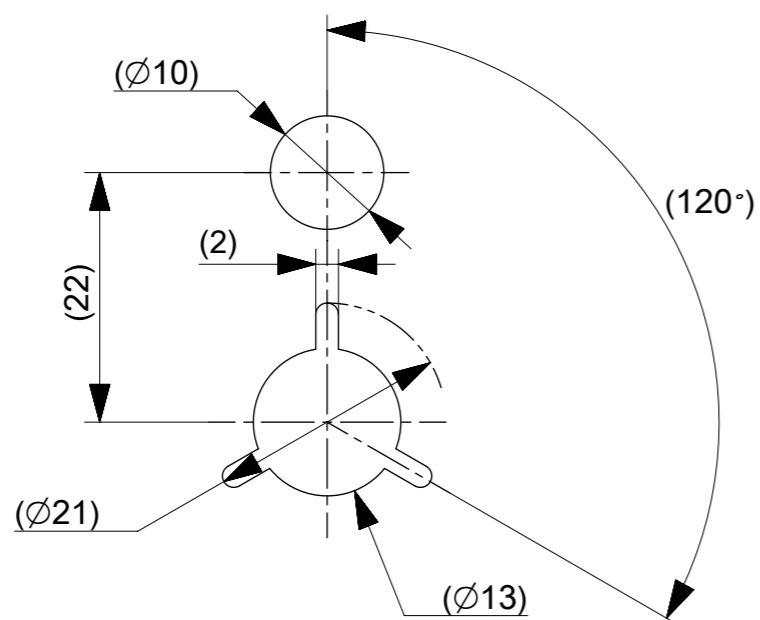


引き出し方向
PULL OUT DIRECTION



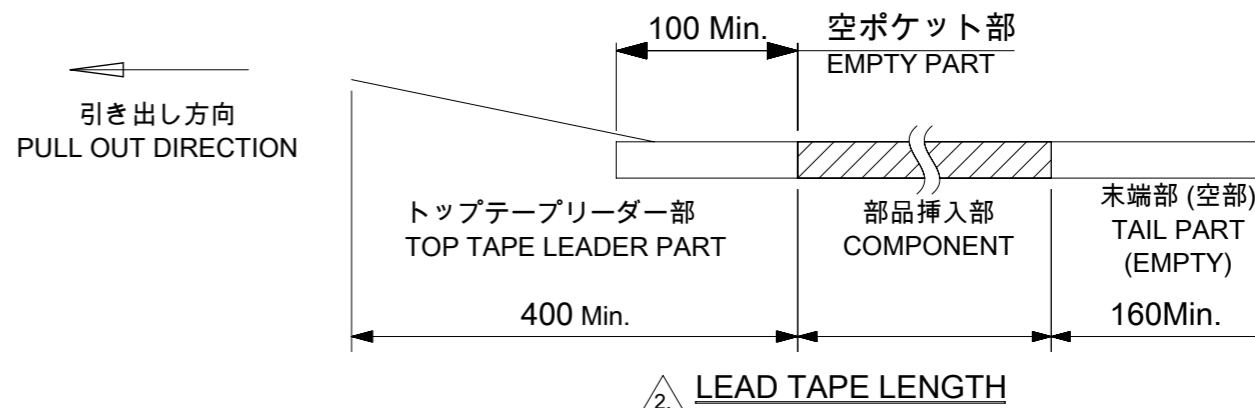
"D"



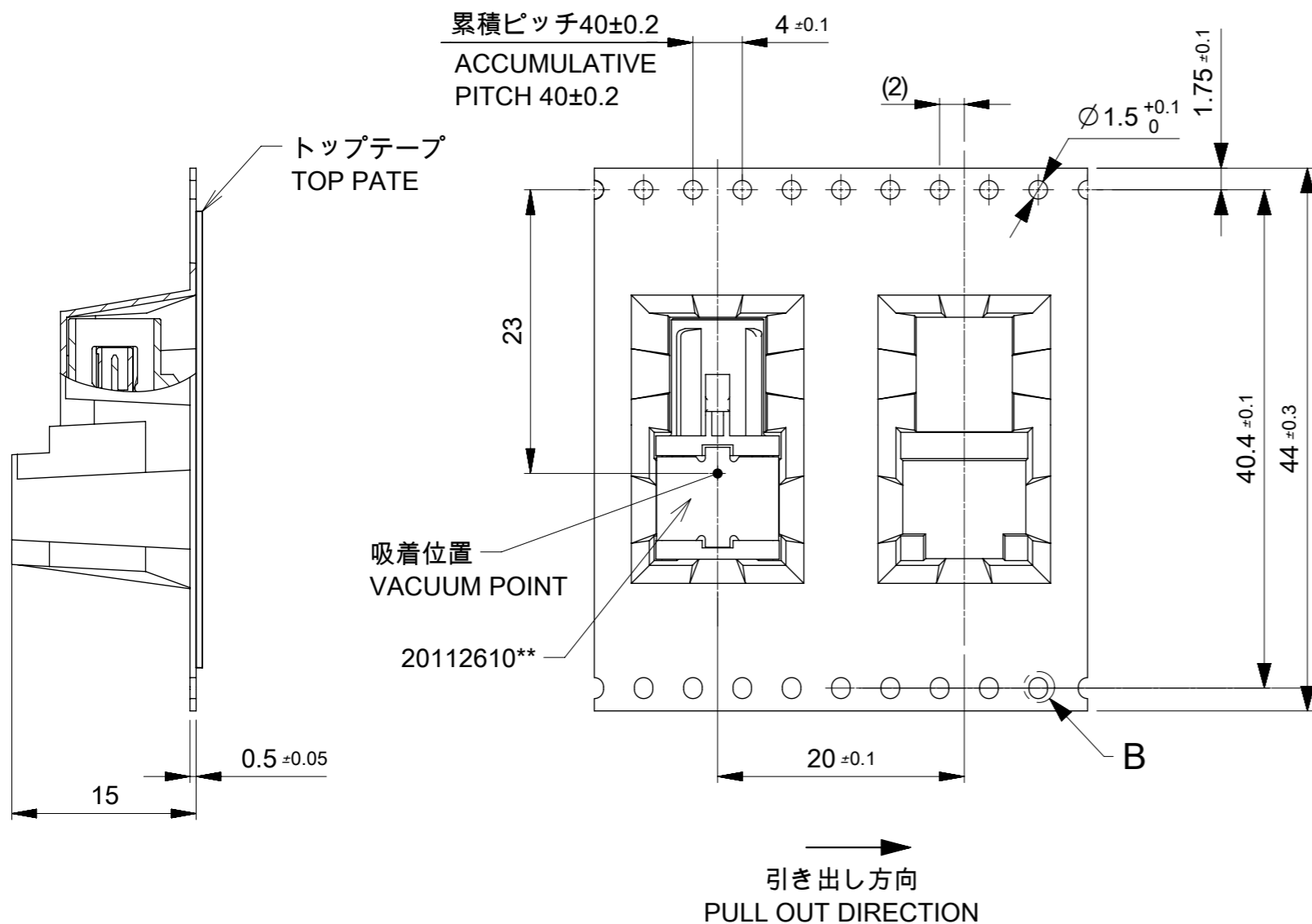
DETAIL "D"

NOTES

1. 梱包数量 : 300個 / リール
THE NUMBER OF PACKAGED CONNECTORS: 300 PIECES/REEL
2. リードテープ長さ
LEAD TAPE LENGTH.
3. トップテープの剥離強度はIEC60286-3に準拠
COMPLY WITH IEC60286-3 FOR PEEL OFF STRENGTH OF TOP TAPE.
4. 製品詳細寸法については、図面2011261001 000 PSDを参照してください。
FOR DIMENTIONS OF PRODUCT, REFER TO 2011261001 000 PSD.
5. 材料 MATERIAL
キャリアテープ : ポリスチレン
CARRIER TAPE:POLYSTYRENE
トップテープ : ポリエチレンテレフタレート、ポリエチレン
TOP TAPE:POLYETHYLENE TEREHTHALATE,POLYETHYLENE
リール : ポリスチレン(リサイクル材を含む)
REEL:POLYSTYRENE(RECYCLE MATERIAL CONTAINED)



THIS DRAWING CONTAINS INFORMATION THAT IS PROPRIETARY TO MOLEX ELECTRONIC TECHNOLOGIES, LLC AND SHOULD NOT BE USED WITHOUT WRITTEN PERMISSION									
DIMENSION UNITS	SCALE	CURRENT REV DESC: REVISED			molex				
mm	2:1								
GENERAL TOLERANCES (UNLESS SPECIFIED)		EC NO: 608977			FAKRA JACK R/A EMBSTP PKG				
ANGULAR TOL	± 3.0 °	DRWN: NNAITO	2018/12/11						
4 PLACES	± 0.03	CHK'D: YMIKI01	2018/12/13						
3 PLACES	± 0.03	APPR: TOSADA	2018/12/14		PRODUCT CUSTOMER DRAWING				
2 PLACES	± 0.05	INITIAL REVISION:			DOCUMENT NUMBER		DOC TYPE	DOC PART	REVISION
1 PLACE	± 0.1	DRWN: YMIKI01	2015/12/16		2011260001		PSD	000	E1
0 PLACES	± 0.2	APPR: MSASAO	2016/08/22						
DRAFT WHERE APPLICABLE MUST REMAIN WITHIN DIMENSIONS		THIRD ANGLE PROJECTION	DRAWING	SERIES	MATERIAL NUMBER	CUSTOMER		SHEET NUMBER	
			A3-SIZE	201126		GENERAL		1 OF 2	



吸着位置
VACUUM POINT

20112610**

DETAIL B
SCALE 10:1

N	PASTEL GREEN	N/A	N/A
M	PASTEL ORANGE	2011261013	2011260013
L	CARMINE RED	2011261012	2011260012
Z	WATER BLUE	2011261011	2011260011
K	CURRY YELLOW	2011261010	2011260010
I	BEIGE	2011261009	2011260009
H	VIOLET	2011261008	2011260008
G	GRAY	N/A	N/A
F	BROWN	2011261006	2011260006
E	GREEN	2011261005	2011260005
D	BORDEAUX VIOLET	2011261004	2011260004
C	BLUE	2011261003	2011260003
B	CREAM WHITE	2011261002	2011260002
A	BLACK	2011261001	2011260001
KEYING CODE	COLOR	CONNECTOR MATERIAL NO.	EMBOSSED PACKAGE オーダー番号 ORDER NO.

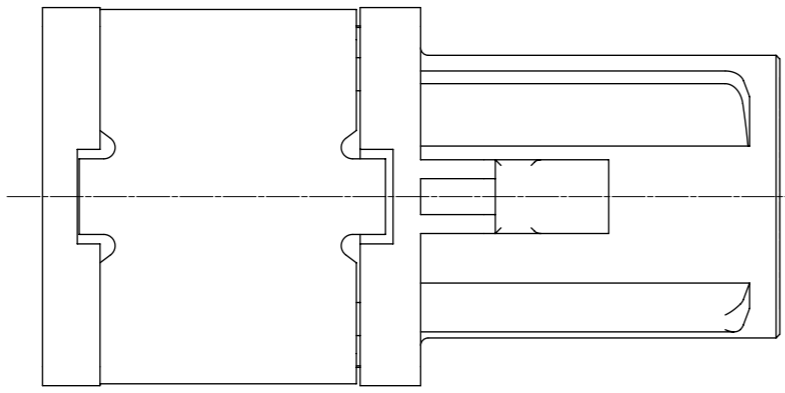
THIS DRAWING CONTAINS INFORMATION THAT IS PROPRIETARY TO MOLEX ELECTRONIC TECHNOLOGIES, LLC AND SHOULD NOT BE USED WITHOUT WRITTEN PERMISSION

DIMENSION UNITS	SCALE	CURRENT REV DESC: REVISED					
mm	2:1	 FAKRA JACK R/A EMBSTP PKG PRODUCT CUSTOMER DRAWING					
GENERAL TOLERANCES (UNLESS SPECIFIED)							
ANGULAR TOL	± 3.0 °						
4 PLACES	± 0.03						
3 PLACES	± 0.03						
2 PLACES	± 0.05						
1 PLACE	± 0.1						
0 PLACES	± 0.2						
DRAFT WHERE APPLICABLE MUST REMAIN WITHIN DIMENSIONS		THIRD ANGLE PROJECTION	DRAWING	SERIES	MATERIAL NUMBER	CUSTOMER	SHEET NUMBER
			A3-SIZE	201126		GENERAL	2 OF 2

EC NO: 608977
 DRWN: NNAITO 2018/12/11
 CHK'D: YMIKI01 2018/12/13
 APPR: TOSADA 2018/12/14

INITIAL REVISION:
 DRWN: YMIKI01 2015/12/16
 APPR: MSASAO 2016/08/22

DOCUMENT NUMBER: 2011260001
 DOC TYPE: PSD
 DOC PART: 000
 REVISION: E1



注記 NOTE

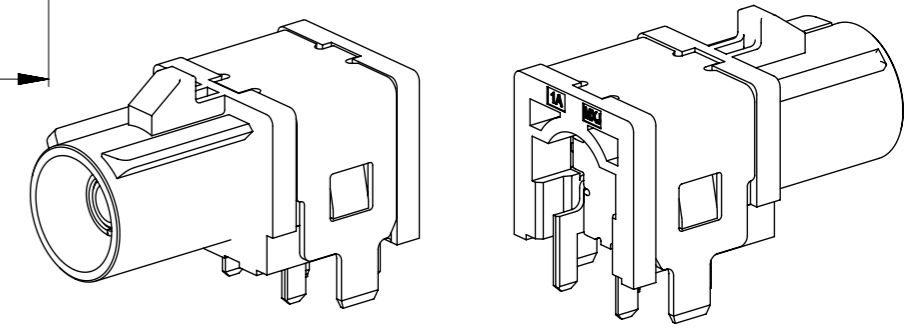
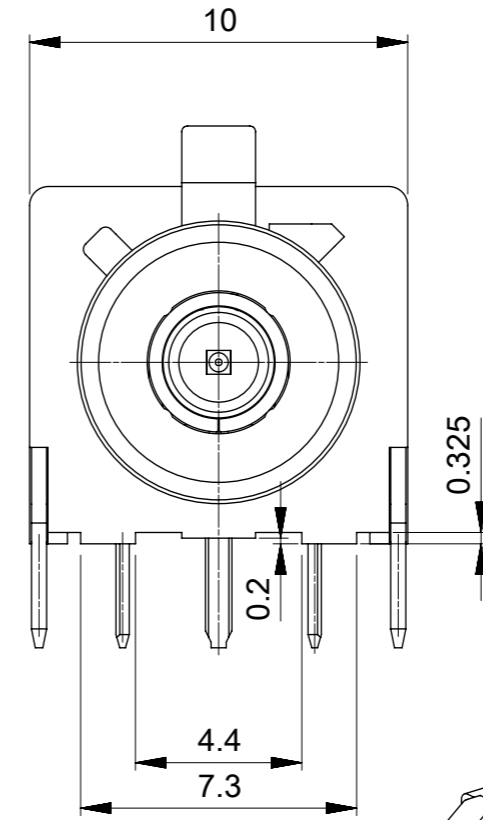
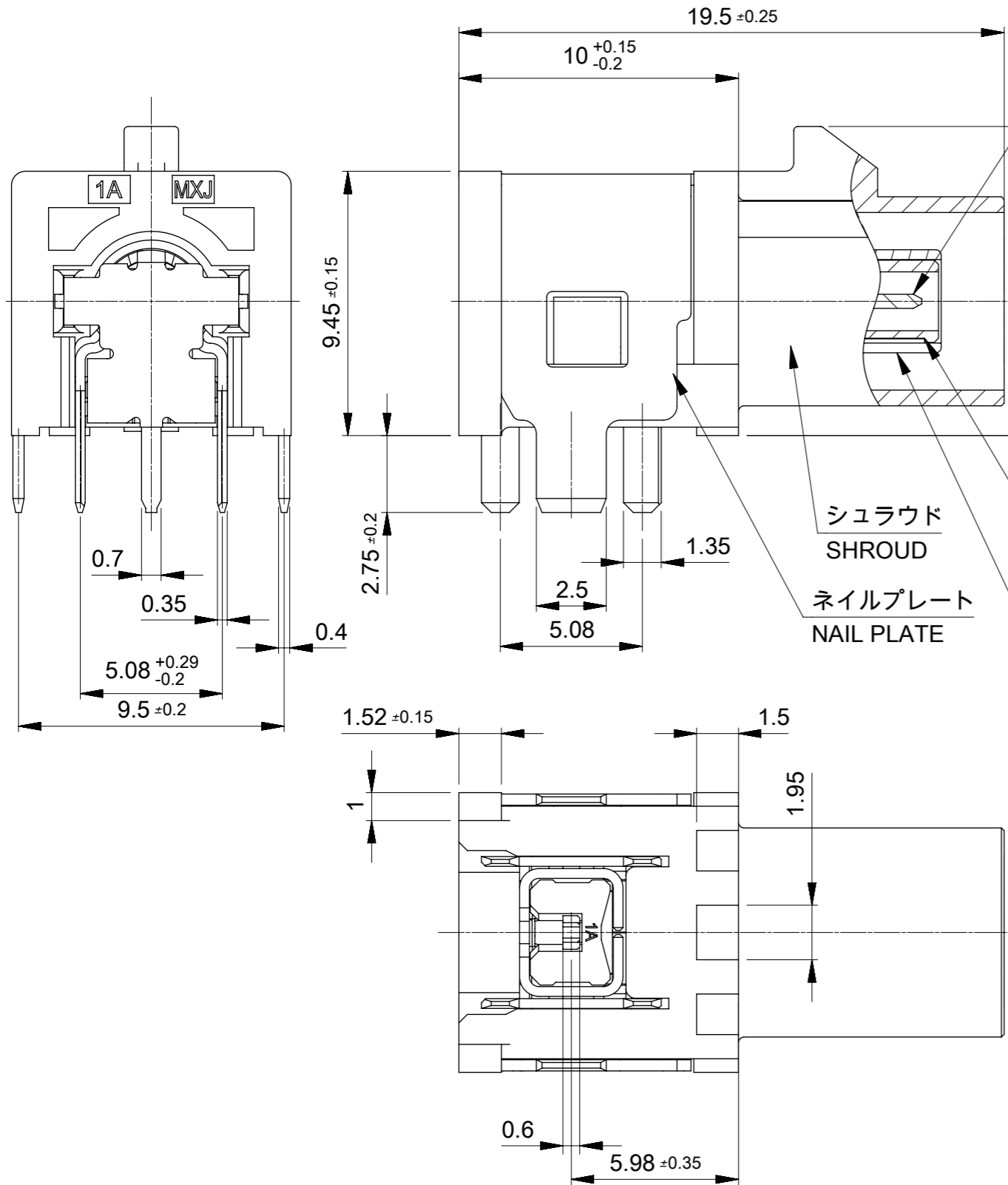
1. 使用材料 MATERIAL

センターコンタクト : 黄銅
 CENTER CONTACT : BRASS
 インシュレーター : 液晶ポリマー ガラス充填、UL94V-0(黒色)
 INSULATOR : LIQUID CRYSTAL POLYMER
 GLASS FILLED, UL94V-0(BLACK)
 アウターコンタクト : リン青銅
 OUTER CONTACT : PHOSPHOR BRONZE
 シュラウド : ポリアミド (色はSHEET3参照)
 SHROUD : POLYAMIDE
 GLASS FILLED
 (COLOR:SEE SHEET 3)

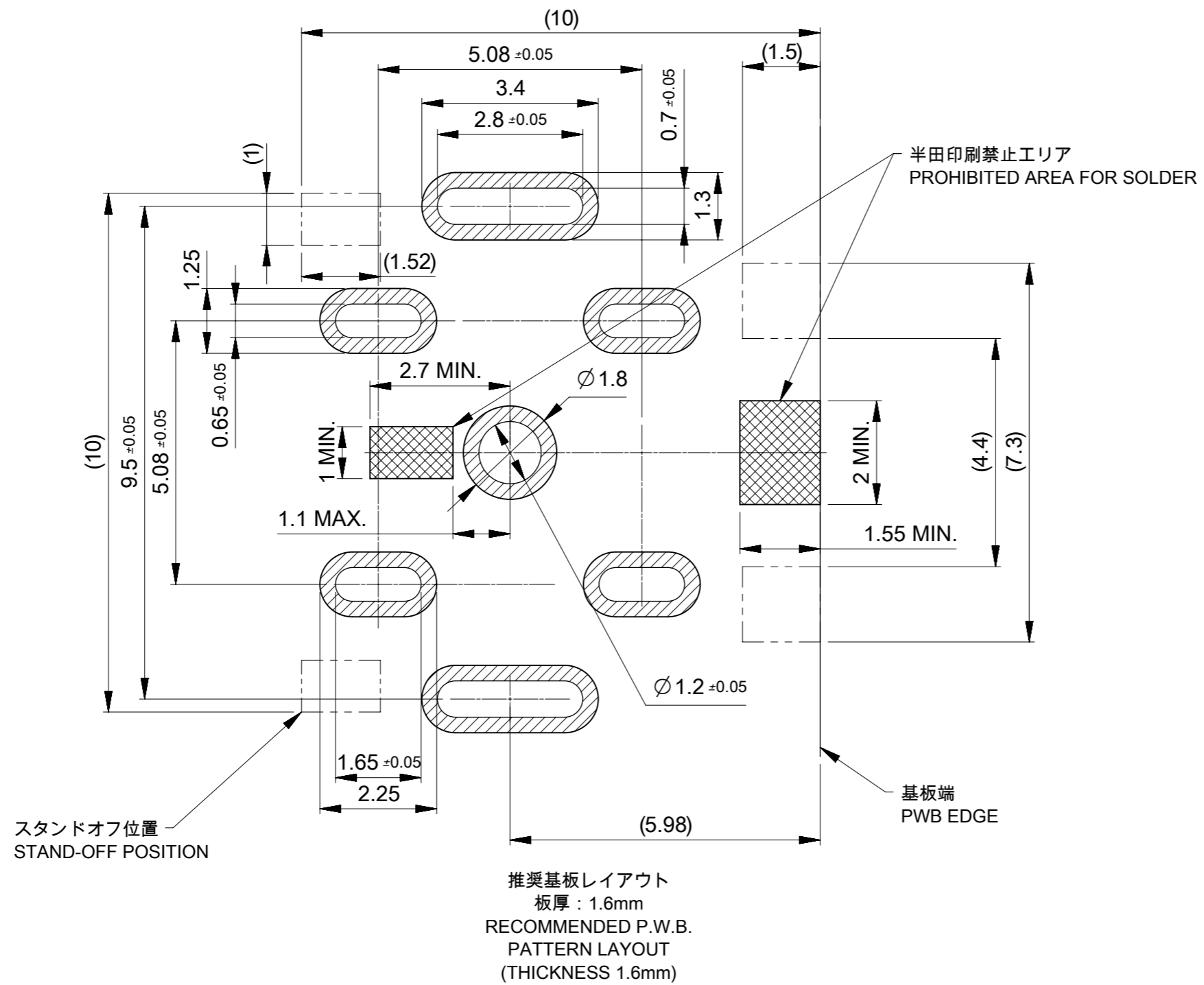
ネイルプレート : リン青銅
 NAIL PLATE : PHOSPHOR BRONZE

2. メッキ仕様 PLATING

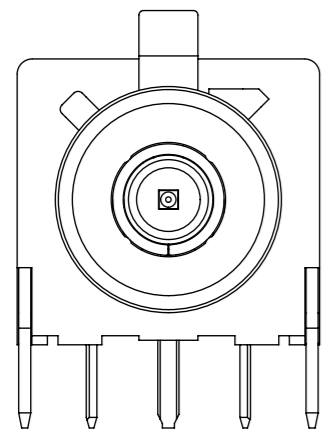
センターコンタクト CENTER CONTACT
 接点部 : 部分金メッキ(0.05µm以上)
 半田付け部 : 錫メッキ
 下地メッキ : ニッケルメッキ
 CONTACT AREA:SEPARATED GOLD PLATING
 (0.05 MICROMETER MINIMUM)
 SOLDER AREA:TIN
 UNDER-PLATING:NICKEL
 アウターコンタクト OUTER CONTACT
 接点部 : ニッケルメッキ
 半田付け部 : 錫メッキ
 下地メッキ : ニッケルメッキ
 CONTACT AREA:NICKEL
 SOLDER AREA:TIN
 UNDER-PLATING:NICKEL
 ネイルプレート NAIL PLATE
 半田付け部 : 部分金メッキ
 下地メッキ : ニッケルメッキ
 SOLDER AREA:SEPARATED GOLD PLATING
 UNDER-PLATING:NICKEL



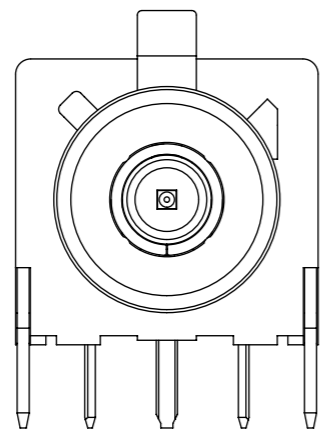
THIS DRAWING CONTAINS INFORMATION THAT IS PROPRIETARY TO MOLEX ELECTRONIC TECHNOLOGIES, LLC AND SHOULD NOT BE USED WITHOUT WRITTEN PERMISSION												
DIMENSION UNITS	SCALE	CURRENT REV DESC: REVISED										
mm	5:1											
GENERAL TOLERANCES (UNLESS SPECIFIED)												
ANGULAR TOL	± 3.0°	FAKRA JACK R/A ASSY										
4 PLACES	± 0.1	PRODUCT CUSTOMER DRAWING										
3 PLACES	± 0.1	EC NO: 608977	2018/12/11	DOCUMENT NUMBER						DOC TYPE	DOC PART	REVISION
2 PLACES	± 0.1	DRWN: NNAITO	2018/12/11	2011261001						PSD	000	G1
1 PLACE	± 0.1	CHK'D: YMIK101	2018/12/13	INITIAL REVISION:						MATERIAL NUMBER		
0 PLACES	± 0.2	APPR: TOSADA	2018/12/14	DRWN: YMIK101						CUSTOMER		
DRAFT WHERE APPLICABLE MUST REMAIN WITHIN DIMENSIONS		THIRD ANGLE PROJECTION		DRAWING	SERIES	SEE SHEET 3		GENERAL		SHEET NUMBER		
				A3-SIZE	201126	GENERAL		1 OF 3				



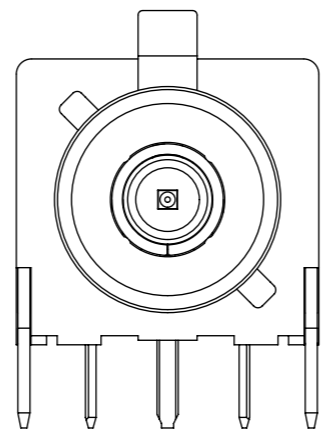
THIS DRAWING CONTAINS INFORMATION THAT IS PROPRIETARY TO MOLEX ELECTRONIC TECHNOLOGIES, LLC AND SHOULD NOT BE USED WITHOUT WRITTEN PERMISSION									
DIMENSION UNITS	SCALE	CURRENT REV DESC: REVISED							
mm	5:1								
GENERAL TOLERANCES (UNLESS SPECIFIED)									
ANGULAR TOL	± 3.0°	EC NO: 608977 DRWN: NNAITO 2018/12/11 CHK'D: YMIKI01 2018/12/13 APPR: TOSADA 2018/12/14							
4 PLACES	± 0.1	INITIAL REVISION: DRWN: YMIKI01 2015/12/16 APPR: MSASAO 2016/08/22							
3 PLACES	± 0.1								
2 PLACES	± 0.1	DOCUMENT NUMBER		DOC TYPE		DOC PART		REVISION	
1 PLACE	± 0.1	2011261001		PSD		000		G1	
0 PLACES	± 0.2	MATERIAL NUMBER		CUSTOMER		SHEET NUMBER			
DRAFT WHERE APPLICABLE MUST REMAIN WITHIN DIMENSIONS		THIRD ANGLE PROJECTION		DRAWING		SERIES		MATERIAL NUMBER	
				A3-SIZE		201126		SEE SHEET 3	
				GENERAL		2 OF 3			



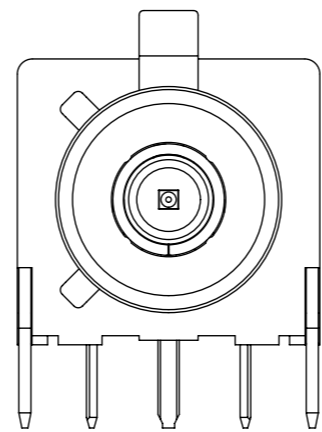
CODE-A



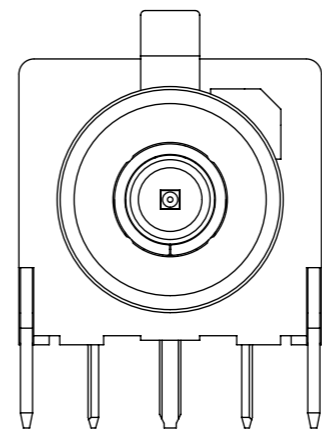
CODE-B



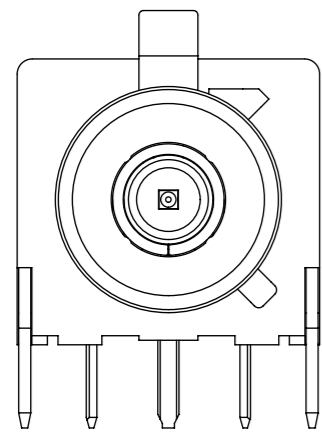
CODE-C



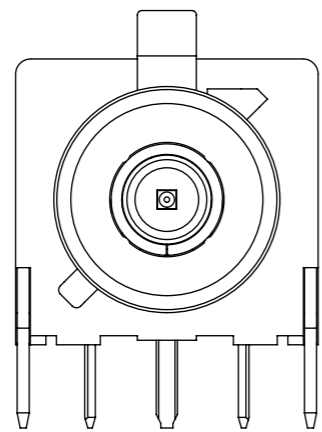
CODE-D



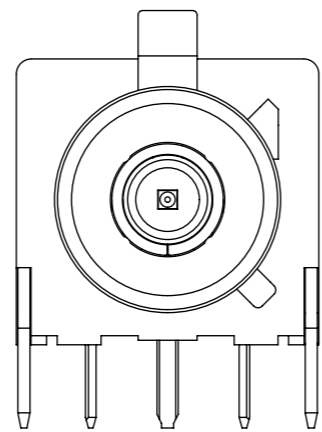
CODE-E



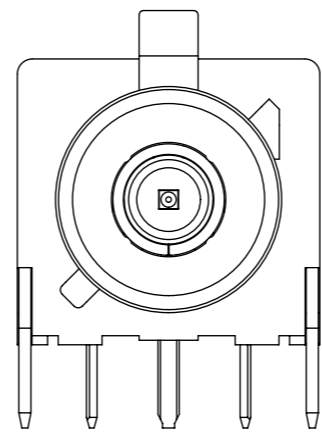
CODE-F



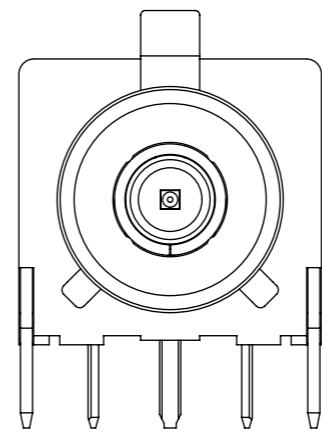
CODE-G



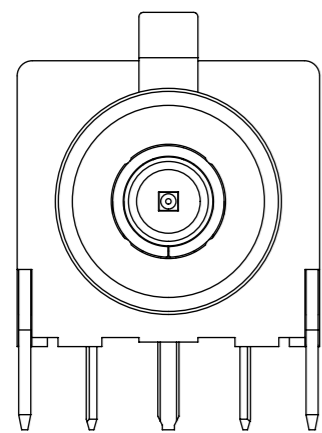
CODE-H



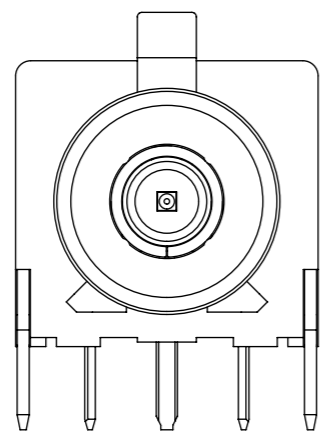
CODE-I



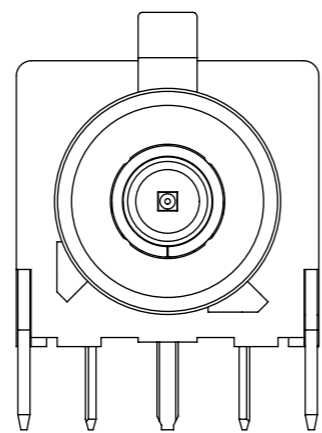
CODE-K



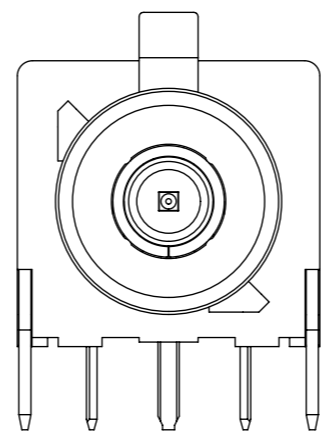
CODE-Z



CODE-L




CODE-M



CODE-N

N	PASTEL GREEN	N/A
M	PASTEL ORANGE	2011261013
L	CARMINE RED	2011261012
Z	WATER BLUE	2011261011
K	CURRY YELLOW	2011261010
I	BEIGE	2011261009
H	VIOLET	2011261008
G	GRAY	N/A
F	BROWN	2011261006
E	GREEN	2011261005
D	BORDEAUX VIOLET	2011261004
C	BLUE	2011261003
B	CREAM WHITE	2011261002
A	BLACK	2011261001
KEYING CODE	COLOR	MATERIAL No.

THIS DRAWING CONTAINS INFORMATION THAT IS PROPRIETARY TO MOLEX ELECTRONIC TECHNOLOGIES, LLC AND SHOULD NOT BE USED WITHOUT WRITTEN PERMISSION									
DIMENSION UNITS		SCALE		CURRENT REV DESC: REVISED					
mm		5:1		 FAKRA JACK R/A ASSY PRODUCT CUSTOMER DRAWING					
GENERAL TOLERANCES (UNLESS SPECIFIED)									
ANGULAR TOL		± 3.0 °							
4 PLACES		± 0.1							
3 PLACES		± 0.1							
2 PLACES		± 0.1							
1 PLACE		± 0.1							
0 PLACES		± 0.2							
DRAFT WHERE APPLICABLE MUST REMAIN WITHIN DIMENSIONS				THIRD ANGLE PROJECTION		DRAWING		SERIES	
						A3-SIZE		201126	
				MATERIAL NUMBER		CUSTOMER		SHEET NUMBER	
				2011261001		GENERAL		3 OF 3	