

PART NAME: KNOB

SCALE: 1:1

DATE: 2/5/88

DR. BY HD

THIS DRAWING IS THE PROPERTY OF DAVIES MOLDING COMPANY, IS SUBMITTED SOLELY AS A DESIGN OR ENGINEERING PROJECT. WE ACCEPT NO RESPONSIBILITY WHATSOEVER FOR THE PRACTICAL APPLICATION OF THE PIECES MADE TO THIS DESIGN.



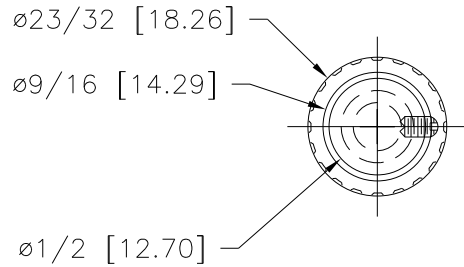
DESIGNERS & MANUFACTURERS OF KNOBS, HANDLES, CASES & CUSTOM PLASTIC COMPONENTS

P/N 8070

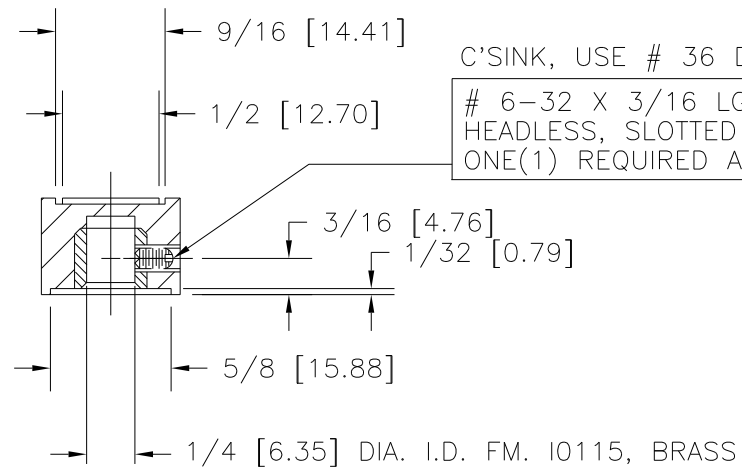
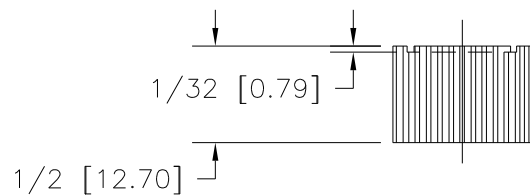
BASE PART 8070-01

SET SCREW I0095

CAD/REDRAWN : 4/25/94 : HD



STRAIGHT KNURLS



C'SINK, USE # 36 DRILL(.108),# 6-32 TAP.  
 # 6-32 X 3/16 LG. CUP POINTED, HEADLESS, SLOTTED TYPE,SET SCREW I0095, ONE(1) REQUIRED AS SHOWN.

MATERIAL: ABS  
 COLOR: BLACK

TOLERANCES: UNLESS OTHERWISE SPECIFIED	DO NOT SCALE DRAWING			
DECIMALS: X.XXX ± .005 X.XX ± .015	MM: X.XX ± 0.15MM X.X ± 0.4MM	-	UPDATED TOOLBOX	JAM 11/25/02
FRACTIONS ± 1/64	ANG. ± 1°	CHANGES		