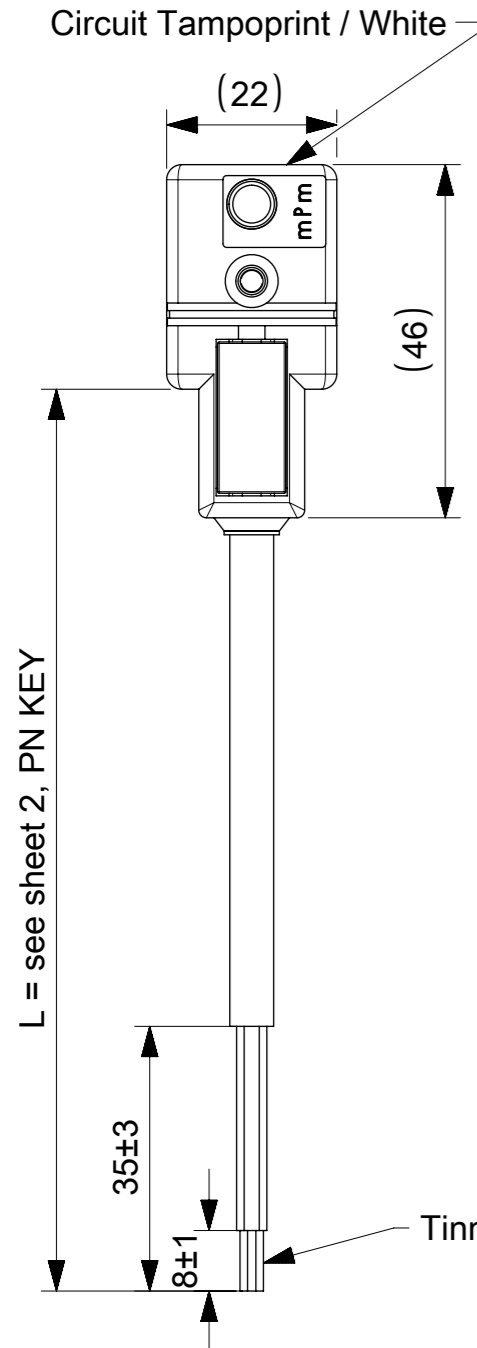


10 9 8 7 6 5 4 3 2 1



Type of Screw and Gasket see sheet 2, PN KEY

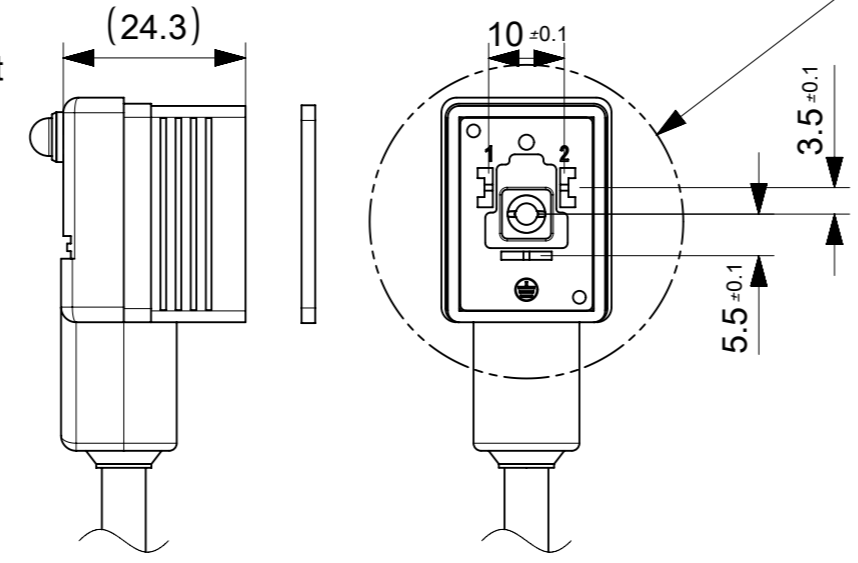
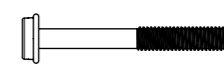
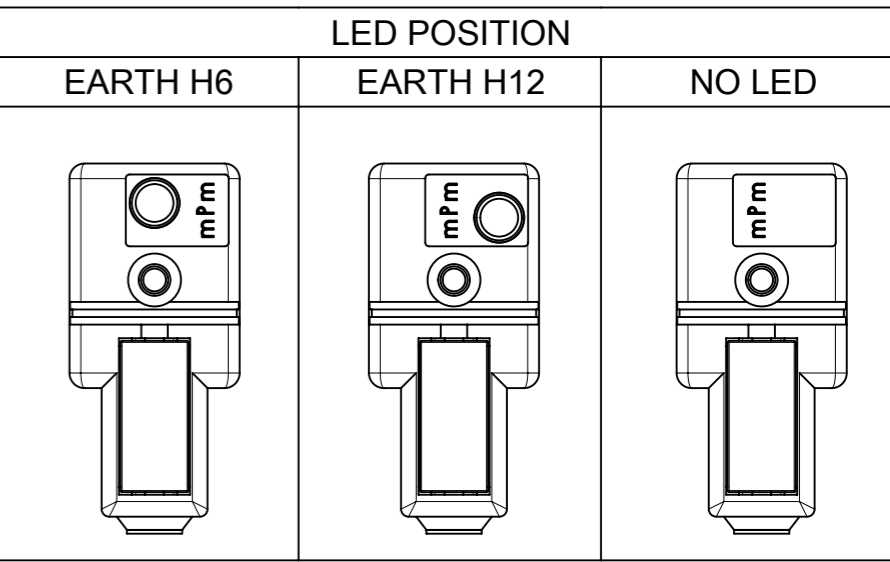
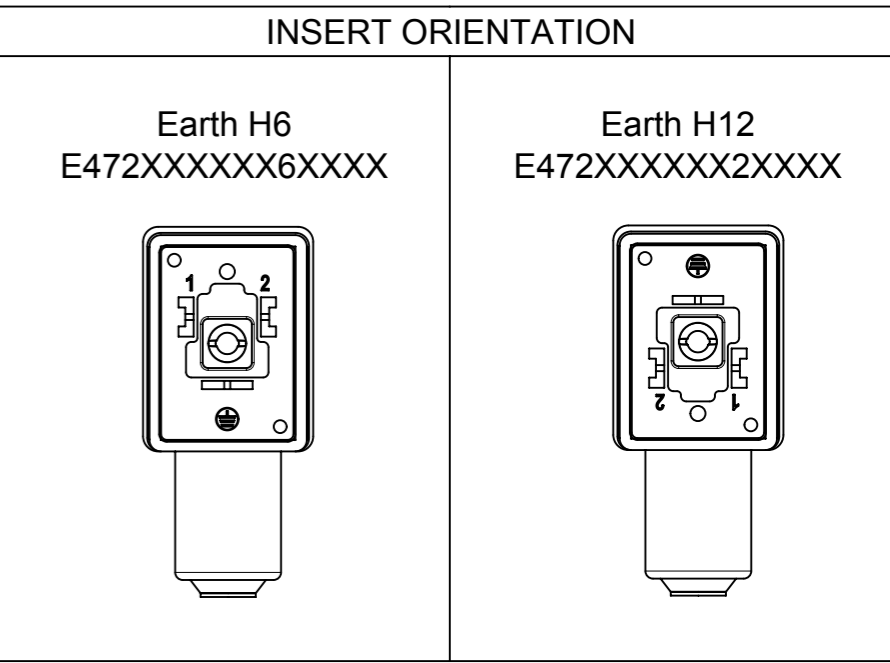


TABLE OF LENGTH TOLERANCES [mm]

Over	Up to and Including	Tolerance
0	1000	±20
1000	3000	±30
3000	5000	±40
5000	10000	±50
10000	15000	±100
15000	20000	±150
20000		±L/100



Type of Screws and Gaskets

Profiled Gasket	Flat Gasket	Integrated Gasket	Screw M3x25
			Screw M3x27 + Washer

SYMBOLS	THIS DRAWING CONTAINS INFORMATION THAT IS PROPRIETARY TO MOLEX ELECTRONIC TECHNOLOGIES, LLC AND SHOULD NOT BE USED WITHOUT WRITTEN PERMISSION		CURRENT REV DESC:			<b>molex</b>		
	DIMENSION UNITS	SCALE						
	mm	1:1	EC NO: 603741			DOCUMENT NUMBER		
	GENERAL TOLERANCES (UNLESS SPECIFIED)		DRWN: APAWLAK01 2018/07/18			1210503400		
ANGULAR TOL ± °		CHK'D: RSILLER 2018/08/31			DOC TYPE DOC PART REVISION			
4 PLACES ±		APPR: RSILLER 2018/08/31			PSD 000 A			
3 PLACES ±		INITIAL REVISION:			MATERIAL NUMBER			
2 PLACES ± 0.05		DRWN: APAWLAK01 2018/07/18			CUSTOMER			
1 PLACE ± 0.1		APPR: RSILLER 2018/08/31			GENERAL MARKET			
0 PLACES ±		DRAFT WHERE APPLICABLE MUST REMAIN WITHIN DIMENSIONS			SHEET NUMBER			
THIRD ANGLE PROJECTION		DRAWING			1 OF 3			
A3-SIZE		SERIES						
		121050						

REVISION 11 DATE: 2018/01/11

# PN KEY ENGINEERING PN

**E 4 7 2 X X X X X X X X X X**

E - Packing without bag  
W - Single Packing

Number of wires:  
2 - 2 Wires + Earth

Cable type:  
See Table

Head Colour:  
G - Grey  
N - Black  
A - CSA-UL Black  
B - CSA-UL Grey

Cable Length in[cm]  
050 = 50cm  
300 = 300cm  
10K = 1000cm

Wiring Configuration:  
See sheet 3

Voltage and Led Colour

Red Led:	Green Led:	Yellow Led:
1 = 12V	A = 12V	G = 12V
2 = 24V	B = 24V	H = 24V
3 = 48V	C = 48V	K = 48V
4 = 115V	D = 115V	L = 115V
5 = 230V	E = 230V	M = 230V

Earth PIN location (see insert orientation table):  
2 = Earth on H12  
6 = Earth on H6

Type of Gasket and Screw (see sheet 1):  
1 = NBR Profile Gasket + Fixing Screw M3x25mm  
2 = NBR Flat Gasket + Fixing Screw M3x25mm  
3 = Silicone Profile Gasket + Fixing Screw M3x25mm  
4 = Silicone Flat Gasket + Fixing Screw M3x25mm  
P = NBR Integrated Gasket + Fixing Screw with Washer M3x27mm Assembled on Connector  
R = NBR Integrated Gasket + Fixing Screw with Washer M3x27mm NOT Assembled on Connector  
T = NBR Profile Gasket + Fixing Screw with Washer M3x27mm

CABLE TYPE	NO. OF WIRES	CROSS SECTION	CABLE O.D.	CABLE JACKET	UL	CSA	STATIC: TEMP. / BENDING RADIUS	DYNAMIC: TEMP. / BENDING RADIUS	SHIELD
A2	3	AWG 20	5.6mm±0.2	PVC BLACK	UL 2661	CSA C22.2	-30°C to +105°C, 10xO.D.	-5°C to +105°C, 15xO.D.	-
A3	3	AWG 18	6.5mm±0.25	PVC BLACK	UL 2661	CSA C22.2	-30°C to +105°C, 10xO.D.	-5°C to +105°C, 15xO.D.	-
B2	3	AWG 20	5.6mm±0.2	PUR BLACK	UL 20668	CSA C22.2	-40°C to +90°C, 5xO.D.	-25°C to +90°C, 10xO.D.	-
B3	3	AWG 18	6.5mm±0.2	PUR BLACK	UL 20668	CSA C22.2	-40°C to +90°C, 5xO.D.	-25°C to +90°C, 10xO.D.	-
F4	3	1mm <sup>2</sup>	7.1mm+0.2	PVC GREY	-	-	-15°C to +70°C, 10xO.D.	-5°C to +60°C, 15xO.D.	-
I0	3	1mm <sup>2</sup>	7.6mm±0.2	PVC GREY	-	-	-25°C to +70°C, 10xO.D.	-5°C to +70°C, 15xO.D.	YES
I2	3	0.5mm <sup>2</sup>	5.5mm+0.3	PVC GREY	-	-	-25°C to +70°C, 10xO.D.	-5°C to +70°C, 15xO.D.	-
I3	3	0.75mm <sup>2</sup>	6.0mm±0.2	PVC GREY	-	-	-25°C to +70°C, 10xO.D.	-5°C to +70°C, 15xO.D.	-
I4	3	1mm <sup>2</sup>	7.1mm+0.2	PVC GREY	-	-	-25°C to +70°C, 10xO.D.	-5°C to +70°C, 15xO.D.	-
N2	3	0.5mm <sup>2</sup>	5.6mm±0.7	PVC BLACK	-	-	-20°C to +70°C, 3xO.D.	-15°C to +70°C, 5xO.D.	-
N3	3	0.75mm <sup>2</sup>	6.8mm±0.8	PVC BLACK	-	-	-20°C to +70°C, 3xO.D.	-15°C to +70°C, 5xO.D.	-
N4	3	1mm <sup>2</sup>	7.15mm±0.85	PVC BLACK	-	-	-20°C to +70°C, 3xO.D.	-15°C to +70°C, 5xO.D.	-
P1	3	0.34mm <sup>2</sup>	5.3mm±0.2	PUR BLACK	-	-	-25°C to +80°C, 10xO.D.	-5°C to +80°C, 15xO.D.	-
P2	3	0.5mm <sup>2</sup>	5.5mm+0.3	PUR BLACK	-	-	-40°C to +90°C, 7.5xO.D.	-15°C to +90°C, 12.5xO.D.	-
P3	3	0.75mm <sup>2</sup>	6.5mm±0.2	PUR BLACK	-	-	-40°C to +90°C, 7.5xO.D.	-15°C to +90°C, 12.5xO.D.	-

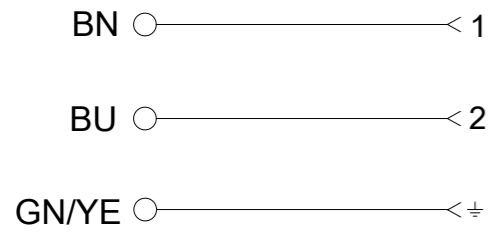
## Notes:

- Please see excel sheet 1210503400\_PDP for currently configured part numbers.
- Drawing is a replacement for: SD-121050-005

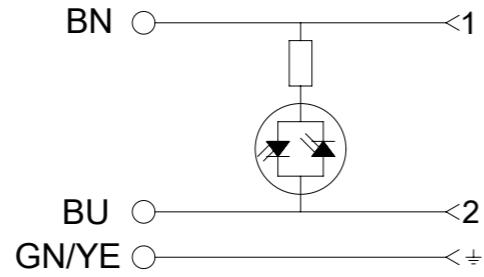
SYMBOLS	THIS DRAWING CONTAINS INFORMATION THAT IS PROPRIETARY TO MOLEX ELECTRONIC TECHNOLOGIES, LLC AND SHOULD NOT BE USED WITHOUT WRITTEN PERMISSION		CURRENT REV DESC:		<b>molex</b>
	▽ = 0	mm	SCALE	1:1	
	▽ = 0	GENERAL TOLERANCES (UNLESS SPECIFIED)			
	▽ = 0	ANGULAR TOL ± °			
▽ = 0	4 PLACES	±	EC NO: 603741	2018/07/18	STANDARD E472 DIN FORM B EN 175301-803
▽ = 0	3 PLACES	±	DRWN: APAWLAK01	2018/08/31	
▽ = 0	2 PLACES	± 0.05	CHK'D: RSILLER	2018/08/31	
▽ = 0	1 PLACE	± 0.1	APPR: RSILLER	2018/08/31	PRODUCT CUSTOMER DRAWING
▽ = 0	0 PLACES	±	INITIAL REVISION:	DOCUMENT NUMBER	DOC TYPE
▽ = 0	DRAFT WHERE APPLICABLE MUST REMAIN WITHIN DIMENSIONS		THIRD ANGLE PROJECTION	DRAWING	SERIES
▽ = 0			⊕	A3-SIZE	121050
				MATERIAL NUMBER	CUSTOMER
				SEE 1210503400_PDP	GENERAL MARKET
				SHEET NUMBER	
				2 OF 3	

# WIRING DIAGRAMS

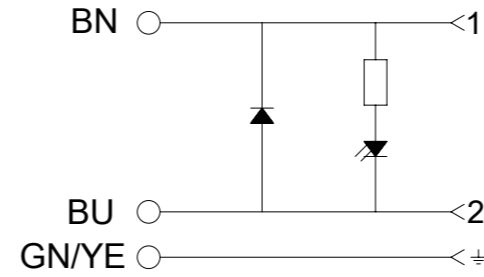
ELECTRICAL DIAGRAM 00



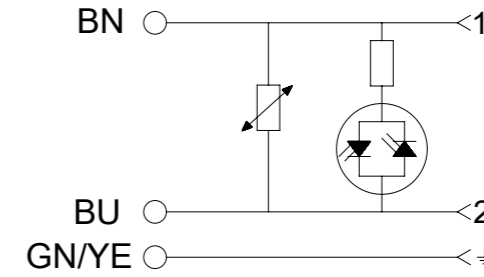
ELECTRICAL DIAGRAM A1



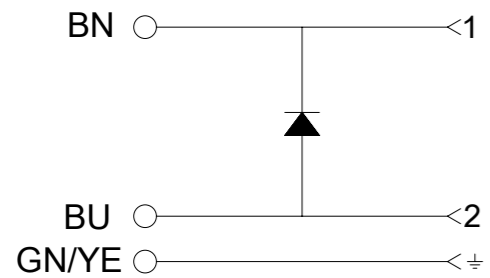
ELECTRICAL DIAGRAM C3



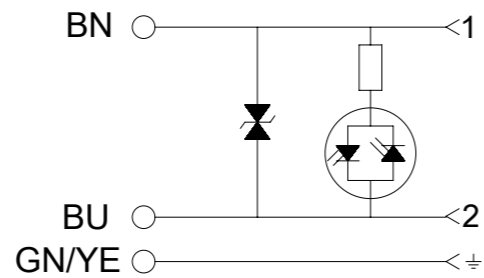
ELECTRICAL DIAGRAM C4



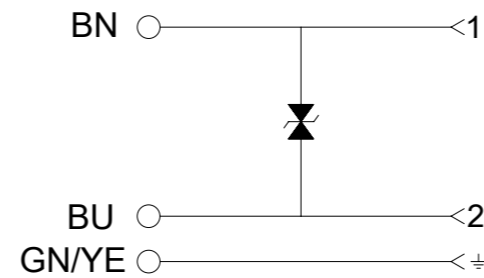
ELECTRICAL DIAGRAM E0



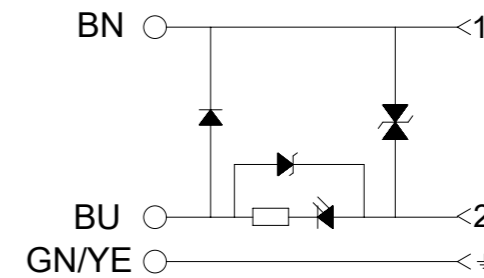
ELECTRICAL DIAGRAM S0



ELECTRICAL DIAGRAM S1



ELECTRICAL DIAGRAM NS

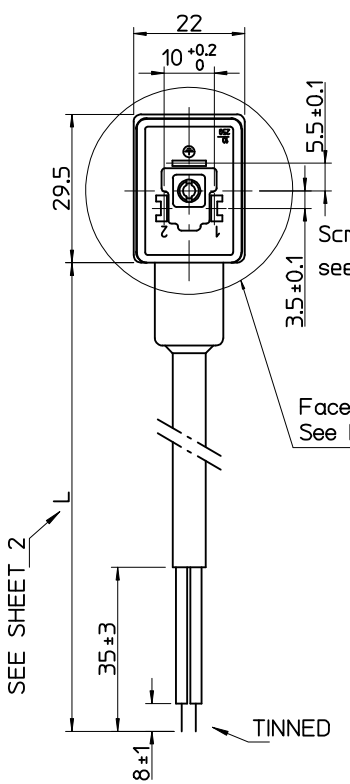


Technical Spec:  
 Supply Voltage: See PN KEY  
 Max. current: 5A; A1-C4-S0  
 1,5A; R2  
 Contact Resistance: ≤15milliohms max.  
 Operating Temperature:  
 with NBR Gasket: -40°C +90°C  
 with Silicone: -40°C +125°C

SYMBOLS		THIS DRAWING CONTAINS INFORMATION THAT IS PROPRIETARY TO MOLEX ELECTRONIC TECHNOLOGIES, LLC AND SHOULD NOT BE USED WITHOUT WRITTEN PERMISSION	
DIMENSION UNITS	SCALE	CURRENT REV DESC:	
▽ = 0	mm	1:1	
▽ = 0	GENERAL TOLERANCES (UNLESS SPECIFIED)		
▽ = 0	ANGULAR TOL	± °	
▽ = 0	4 PLACES	±	
▽ = 0	3 PLACES	±	
▽ = 0	2 PLACES	± 0.05	
▽ = 0	1 PLACE	± 0.1	
▽ = 0	0 PLACES	±	
■ = 0	DRAFT WHERE APPLICABLE MUST REMAIN WITHIN DIMENSIONS		
▽ = 0	THIRD ANGLE PROJECTION	DRAWING	SERIES
		A3-SIZE	121050
		EC NO: 603741	2018/07/18
		DRWN: APAWLAK01	2018/08/31
		CHK'D: RSILLER	2018/08/31
		APPR: RSILLER	2018/08/31
		INITIAL REVISION:	
		DRWN: APAWLAK01	2018/07/18
		APPR: RSILLER	2018/08/31
		DOCUMENT NUMBER	DOC TYPE   DOC PART   REVISION
		1210503400	PSD   000   A
		MATERIAL NUMBER	CUSTOMER
		SEE 1210503400_PDP	GENERAL MARKET
		SHEET NUMBER	
		3 OF 3	

10 9 8 7 6 5 4 3 2 1

F  
E  
D  
C  
B  
A



Screw and gasket,  
see sheet 2, PN Key

Face View  
See Insert Orientation

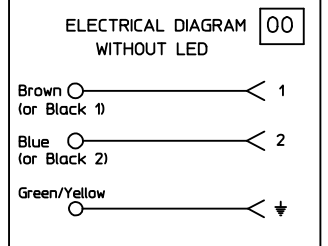
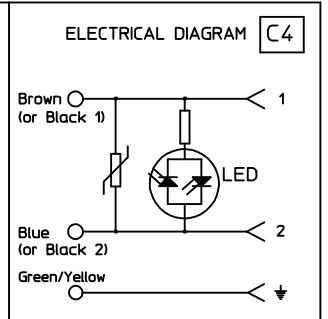
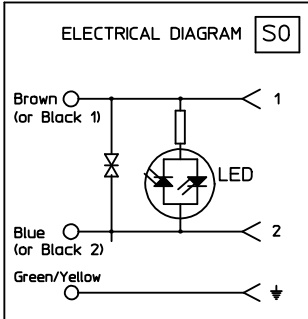
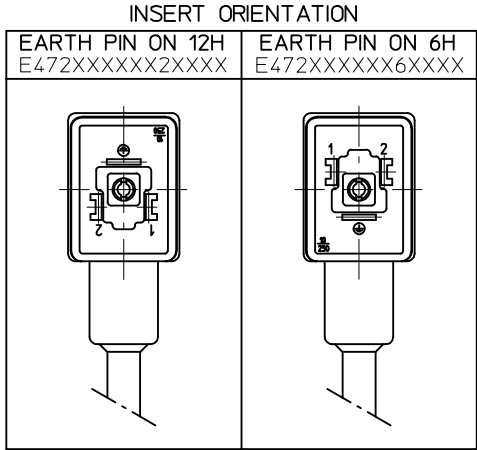
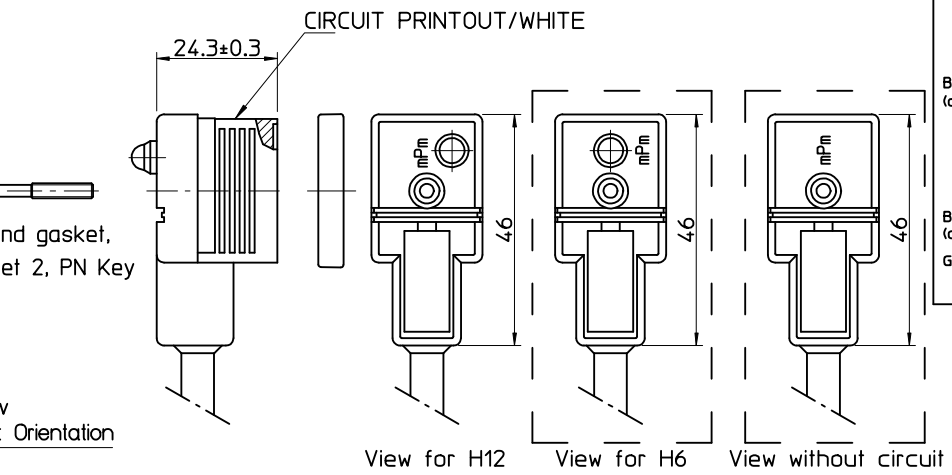


Table of length tolerances [mm]

Over	Up to and including	Tolerance (+)
0	1000	±20
1000	3000	±30
3000	5000	±40
5000	10000	±50
10000	15000	±100
15000	20000	±150
20000		±L/100

<b>DRAWING UPDATE</b> EC NO: IPG2013-1497 DRW: JMARSZALEK 2013/03/27 CHK: MDYSZEWSKA 2013/03/27 APPR: MIWASIECZKO 2013/03/28	QUALITY SYMBOLS 	GENERAL TOLERANCES (UNLESS SPECIFIED)		DIMENSION STYLE <b>MM ONLY</b>		SCALE	DESIGN UNITS METRIC	FIRST ANGLE PROJECTION	
		4 PLACES ±--- ±--- 3 PLACES ±--- ±--- 2 PLACES ±--- ±--- 1 PLACE ±--- ±--- 0 PLACE ±--- ±---	mm INCH	DRAWN BY DATE JMARSZALEK 2012/11/19	CHECKED BY DATE MSZWAJKOWSKI 2012/11/20	TITLE E472XXXXXXXXXXXX FORM B EN 175301-803		DOCUMENT NO. SD-121050-005	SHEET NO. 1 OF 4
DRAFT WHERE APPLICABLE MUST REMAIN WITHIN DIMENSIONS	ANGULAR ±---°	SEE SHEET 2&3		MATERIAL NO.		THIS DRAWING CONTAINS INFORMATION THAT IS PROPRIETARY TO MOLEX INCORPORATED AND SHOULD NOT BE USED WITHOUT WRITTEN PERMISSION			

9 8 7 6 5 4 3 2 1

10 9 8 7 6 5 4 3 2 1

F

F

E

E

D

D

C

C


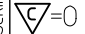

B

B

A

A

9 8 7 6 5 4 3 2 1

<b>DRAWING UPDATE</b> EC NO: IPG2013-1497 DRWN: JMARSZALEK 2013/03/27 CHKD: MDYSZEWSKA 2013/03/27 APPR: MIWASIECZKO 2013/03/28	DESCRIPTION REV	QUALITY SYMBOLS  = 0  = 0	GENERAL TOLERANCES (UNLESS SPECIFIED)		DIMENSION STYLE <b>MM ONLY</b>		SCALE <b>1:1</b>	DESIGN UNITS <b>METRIC</b>	 <b>FIRST ANGLE PROJECTION</b>	
		4 PLACES ± --- ± --- 3 PLACES ± --- ± --- 2 PLACES ± --- ± --- 1 PLACE ± --- ± --- 0 PLACE ± --- ± --- ANGULAR ± --- °	mm      INCH	DRAWN BY      DATE JMARSZALEK      2012/11/19 CHECKED BY      DATE MSZWAJKOWSKI      2012/11/20 APPROVED BY      DATE MIWASIECZKO      2013/02/12	TITLE <b>E472XXXXXXXXXXXX</b> <b>FORM B</b> <b>EN 175301-803</b>		MATERIAL NO. <b>SEE SHEET 2&amp;4</b>		DOCUMENT NO. <b>SD-121050-005</b>	SHEET NO. <b>2 OF 4</b>
DRAFT WHERE APPLICABLE MUST REMAIN WITHIN DIMENSIONS			THIS DRAWING CONTAINS INFORMATION THAT IS PROPRIETARY TO MOLEX INCORPORATED AND SHOULD NOT BE USED WITHOUT WRITTEN PERMISSION							



10 9 8 7 6 5 4 3 2 1

F

F

E

E

D

D

C

C


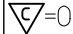

B

B

A

A

9 8 7 6 5 4 3 2 1

<b>DRAWING UPDATE</b> EC NO: IPG2013-1497 DRWN: JMARSZALEK 2013/03/27 CHKD: MDYSZEWSKA 2013/03/27 APPR: MIWASIECZKO 2013/03/28	DESCRIPTION REV	QUALITY SYMBOLS  = 0  = 0.05	GENERAL TOLERANCES (UNLESS SPECIFIED)		DIMENSION STYLE <b>MM ONLY</b>		SCALE <b>1:1</b>	DESIGN UNITS <b>METRIC</b>	 <b>FIRST ANGLE PROJECTION</b>	
		4 PLACES ± --- ± --- 3 PLACES ± --- ± --- 2 PLACES ± --- ± --- 1 PLACE ± --- ± --- 0 PLACE ± --- ± --- ANGULAR ± --- °	mm      INCH	DRAWN BY      DATE JMARSZALEK      2012/11/19 CHECKED BY      DATE MSZWAJKOWSKI      2012/11/20 APPROVED BY      DATE MIWASIECZKO      2013/02/12	TITLE <b>E472XXXXXXXXXXXX</b> <b>FORM B</b> <b>EN 175301-803</b>		MATERIAL NO. <b>SEE SHEET 2&amp;4</b>		DOCUMENT NO. <b>SD-121050-005</b>	SHEET NO. <b>3 OF 4</b>
DRAFT WHERE APPLICABLE MUST REMAIN WITHIN DIMENSIONS			THIS DRAWING CONTAINS INFORMATION THAT IS PROPRIETARY TO MOLEX INCORPORATED AND SHOULD NOT BE USED WITHOUT WRITTEN PERMISSION							



10 9 8 7 6 5 4 3 2 1

F

F

E

E

D

D

C

C


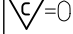

B

B

A

A

9 8 7 6 5 4 3 2 1

<b>DRAWING UPDATE</b> EC NO: IPG2013-1497 DRWN: JMARSZALEK 2013/03/27 CHKD: MDYSZEWSKA 2013/03/27 APPR: MIWASIECZKO 2013/03/28	DESCRIPTION REV	QUALITY SYMBOLS  = 0  = 0	GENERAL TOLERANCES (UNLESS SPECIFIED)		DIMENSION STYLE <b>MM ONLY</b>		SCALE <b>1:1</b>	DESIGN UNITS <b>METRIC</b>	 <b>FIRST ANGLE PROJECTION</b>	
		4 PLACES ± --- ± --- 3 PLACES ± --- ± --- 2 PLACES ± --- ± --- 1 PLACE ± --- ± --- 0 PLACE ± --- ± --- ANGULAR ± --- ° DRAFT WHERE APPLICABLE MUST REMAIN WITHIN DIMENSIONS	mm      INCH ± ---    ± --- ± ---    ± --- ± ---    ± --- ± ---    ± --- ± ---    ± --- ± --- °	DRAWN BY      DATE JMARSZALEK    2012/11/19 CHECKED BY    DATE MSZWAJKOWSKI 2012/11/20 APPROVED BY    DATE MIWASIECZKO    2013/02/12	TITLE E472XXXXXXXXXXXX FORM B EN 175301-803 <b>molex</b>		MATERIAL NO. SEE SHEET 2&4	DOCUMENT NO. SD-121050-005	SHEET NO. 4 OF 4	
THIS DRAWING CONTAINS INFORMATION THAT IS PROPRIETARY TO MOLEX INCORPORATED AND SHOULD NOT BE USED WITHOUT WRITTEN PERMISSION										