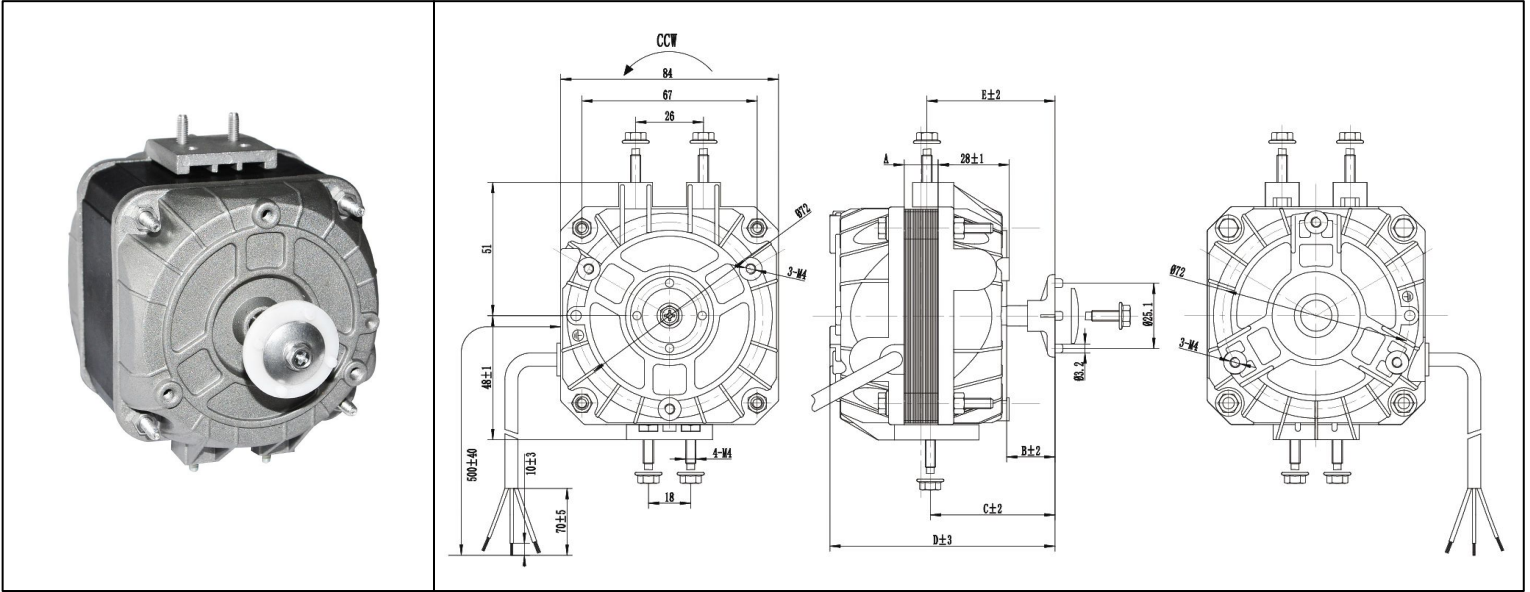


OAM Series Open Frame Motors



AC Motors - 115, 230V



Housing	Die Cast Aluminum	<u>Operating Temperature</u> -30°C ~ +60°C <u>Storage Temperature</u> -40°C ~ +70°C <u>Life Expectancy</u> ≥20K Hours <u>Available Accessories</u> Motor Support Brackets (BRK-) Aluminum Impellers (IMP-) Metal Safety Grille (G***) <u>Certifications</u> UL/cUL (115V Models) VDE (230V Models) CE (All Models) UKCA (All Models)
Connection	3x Wire Leads, 20 AWG, 500mm length	
Motor	Single Phase Shaded Pole AC, Impedance or Thermal Protected, Class H Insulation, IP42 Protection Class	
Bearing System	Dual Ball Bearings	
Dielectric Strength	1500VAC/min, <1mA	
Insulation Resistance	≥10M Ohm @ 500 VAC	

Model Number	Rated Voltage (Volts AC)	Voltage Range (Volts AC)	Rated Input Power (W)	Output Power (W)	Rated Current (A)	Rated Speed (RPM)	Max Impeller Size (ø mm)	Weight (lbs)	A (mm)	B (mm)	C (mm)	D (mm)	E (mm)
OAM82AN-11-1WB	115	110-130	33	5	0.21	1500	200	1.8	13	20	49	85	50
OAM92AN-11-2WB	115	110-130	38	7	0.23	1500	230	2.4	19	19	51	90	53
OAM92AN-11-1WB	115	110-130	40	10	0.25	1500	230	2.4	19	19	51	90	53
OAM97AN-11-1WB	115	110-130	60	16	0.70	1500	250	3.0	25	17	47	94	57
OAM92AN-22-1WB	230	220-240	40	10	0.25	1500	230	2.4	19	19	51	90	53
OAM105AN-22-1WB	230	220-240	73	18	0.50	1500	250	3.3	30	21	52	103	65
OAM114AN-22-1WB	230	220-240	95	25	0.70	1500	300	4.0	40	18	48	110	74
OAM125AN-22-1WB	230	220-240	120	34	0.60	1500	300	4.4	45	25	118	123	60

* Electrical values shown are for 60 Hz operation.