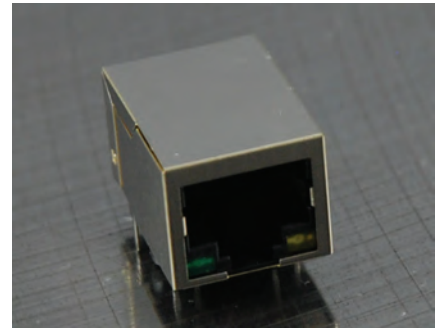




Single Port RJ45 Connector

AR0017-3630

- 10/100 Base-T Ethernet Application
- Impedance: 100OHMS
- Transmit open circuit inductance (OCL): 350uH (MIN) @100KHz,0.1VRMS with 8mA DC Bias
- Meets IEEE 802.3 Specifications
- Standard operating temp: 0°C to +70°C



Electrical Specifications @ 25°C

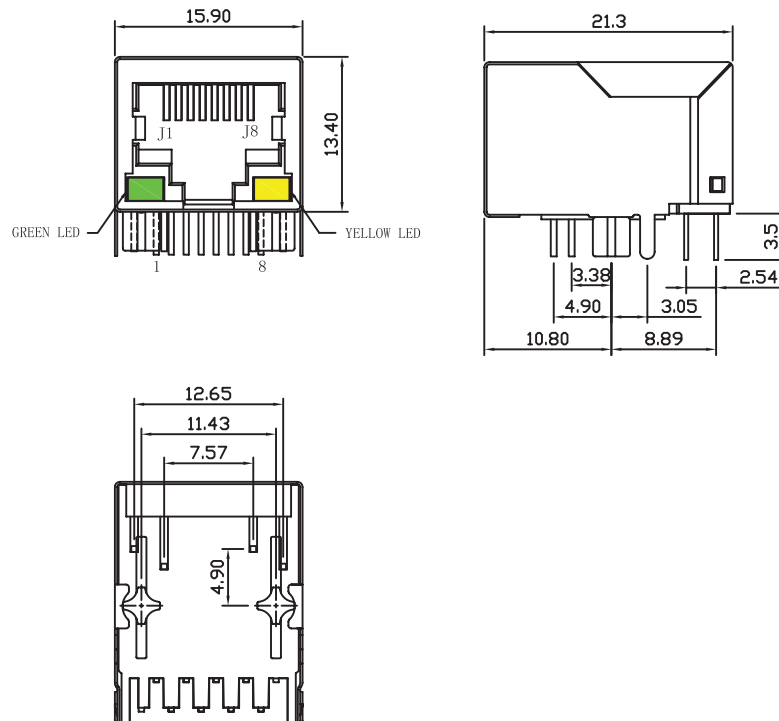
Part Number	OCL(uH Min) @ 100kHz, 0.1V	Turns Ratio chip: cable (±2%)	Insertion Loss (dB Max)	Return Loss (dB Min)			
	With 8mA DC Bias		1-100MHz	1-10MHz	10-30MHz	30-60MHz	60-80MHz
AR0017-3630	350	1CT:1CT	-1.0	-20	-16	-12	-10

Electrical Specifications @ 25°C

Part Number	Cross Talk (dB Min)			CDMR (dB Min)		HI-POT (Vrms) 0.5mA/2Sec.
	1-30MHz	30-60MHz	60-100MHz	1-50MHz	50-150MHz	
AR0017-3630	-40	-35	-30	-30	-20	1500

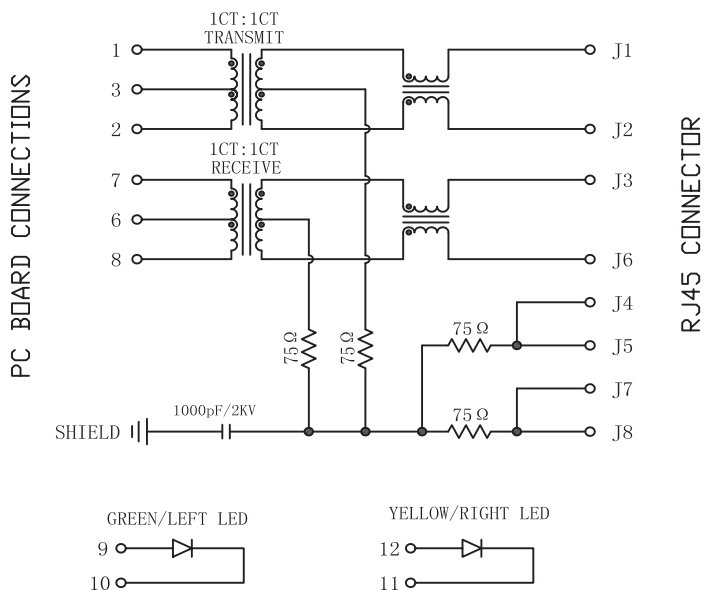
All specifications subject to change without notice.

MECHANICAL

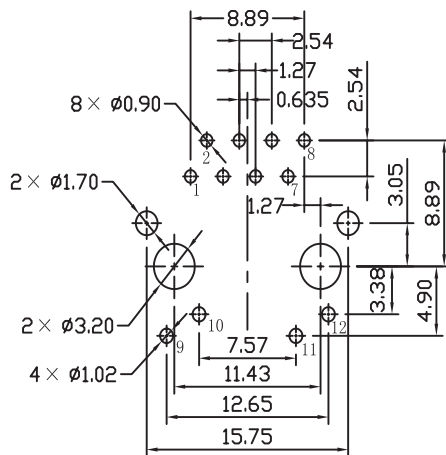




**SCHEMATICS**



**PCB LAYOUT**



**NOTES**

Connector Materials: Housing: Thermoplastic UL94V-0  
 Contact/Shield: Copper alloy  
 Shield plating: Nickel  
 Contact Plating: Gold 6u" min. in contact area